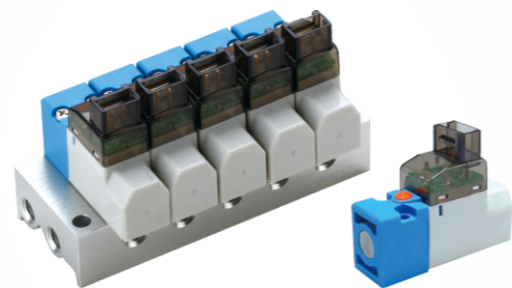


Features

- * Miniature and compact size, quick response, lubricant free.
- * Plug with standard JPC design (with LED). Built-in surge protection and nonpolarity design efficiently reduce possibility of short circuit.
- * Low power consumption 0.8W.



How to order

| | | |
|--------------|---|----------|
| VM320 | - | 9 |
| 3/2 way | | Voltage |
| | | 7 12VDC |
| | | 9 24VDC |

How to order manifold

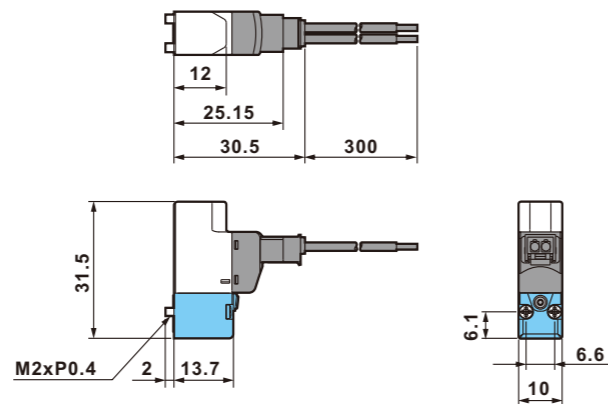
| | | | |
|---------------|---|-----------|----------------|
| VM320M | - | M5 | 02 |
| 3/2 way | | Port size | Stations |
| | | | 02 2 stations |
| | | | 03 3 stations |
| | | | XX XX stations |

Specifications

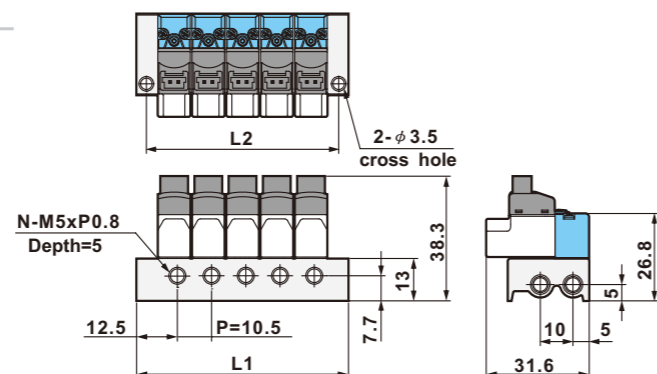
| Model | VM320 |
|--------------------------|--------------------------|
| Port size | M5 |
| Body width | 10mm |
| Body material | POM |
| Fluid | Compressed air |
| Acting | Direct acting |
| Effective area | 0.14mm ² |
| Operating pressure range | 0 ~7 kgf/cm ² |
| Max. Cycle rate | 20Hz |
| Ambient temperature | -10℃ ~ 50℃ |
| Duty cycle | 100% ED |
| Electrical connection | JPC plug connector |
| Protection class | Dust proof |
| Voltage tolerance | ±10% |
| Standard voltage(power) | 12VDC, 24VDC |
| Net weight | 10g |

Dimensions

VM320



VM320M



| Number of station (N) | 2 | 3 | 4 | 5 | 6 | 7 | 8 | 9 | 10 |
|-----------------------|------|----|------|----|------|----|------|-----|-------|
| L1 | 33.5 | 44 | 54.5 | 65 | 75.5 | 86 | 96.5 | 107 | 117.5 |
| L2 | 27.5 | 38 | 48.5 | 59 | 69.5 | 80 | 90.5 | 101 | 111.5 |

