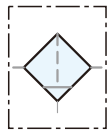


Symbol



Filter

Features

- * Remove water and particle effectively.
- * 40 μ m and 5 μ m filter element are easily interchangeable and replaceable.



How to order

NUF

02

N

C

H

A

Filter

Port size

Thread

Filtration

Drain

Bowl

02	1/4"
03	3/8"
04	1/2"

Blank	G
N	NPT
R	Rc

PE	
Blank	5 μ m
C	40 μ m
Sintered brass	
S	5 μ m
T	40 μ m

Blank	Semi-auto drain
H	Manual drain
D	Auto drain

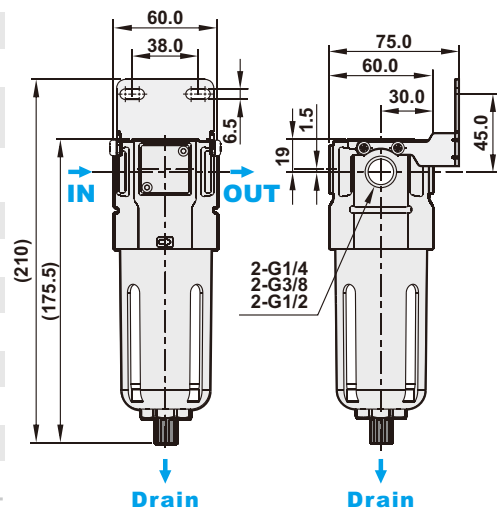
Blank	Standard bowl
A	Anti-acid & alkali bowl
AL	Aluminum bowl (1/4"~1/2")

Specifications

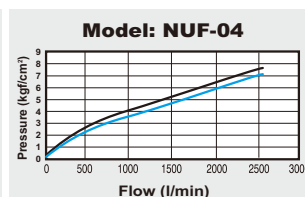
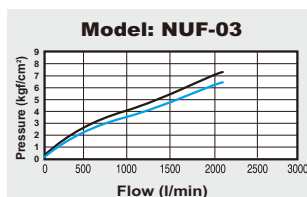
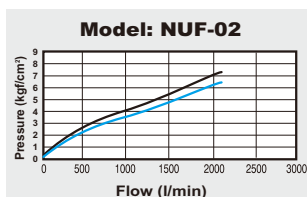
Model	NUF-02	NUF-03	NUF-04
Port size	1/4"	3/8"	1/2"
Fluid	Compressed air		
Body material	Aluminum die-cast		
Bowl material	Polycarbonate (Standard), Anti-acid & alkali bowl Option), Aluminum bowl (Option)		
Filtration	PE: 5 μ m (Standard), 40 μ m (Option) Sintered brass (Option): 5 μ m, 40 μ m		
Operating pressure range	0.5 ~ 10 kgf/cm ²		
Proof pressure (Standard bowl)	15 kgf/cm ²		
Max. flow rate l/min (ANR)	2440	2450	3030
Ambient temperature	-10 $^{\circ}$ C ~ 60 $^{\circ}$ C		
Filter bowl capacity	105cc		
Standard drain	Semi-auto drain (Drains below 0.5kgf/cm ²)		
Net weight	480g (W/I Aluminum bowl 700g)		
Accessories	Mounting bracket, Screw x 4		

Dimensions

NUF-02, 03, 04



Flow chart



Note:

- X axis: Flow (l/min)
- Y axis: Pressure (kgf/cm²)
- Blue line (P0)= Outlet pressure
- Black line (P1)= Inlet pressure
- P1-P0= Pressure range