

Features

- * Slow piston speed.
- * Low friction.
- * Stable acting.



How to order

PCL50

—

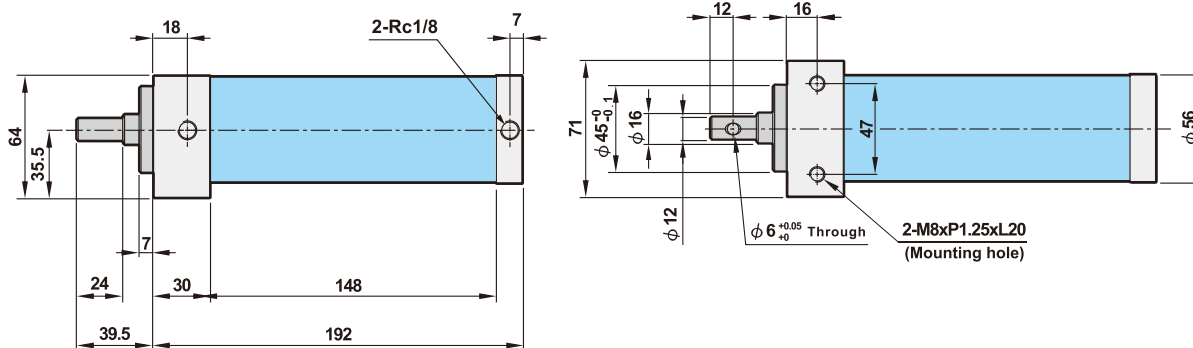
CU12048

—

0090

Customized model number

Dimensions



Specifications

Bore size	50mm
Stroke	90mm
Stroke tolerance	+1.0 / +0
Fluid	Compressed air
Acting	Double acting
Max. Operating pressure	0.15 ~ 0.85Mpa
Cushion	Air cushion
Magnet	None
Ambient temperature	-5°C ~ 60°C (Unfrozen)
Piston speed	1.5 ~ 500mm/Sec