

Features

- * Hard anodized aluminum body provides corrosion and wear resistance.
- * Non-rotated.
- * Low deviation.



How to order

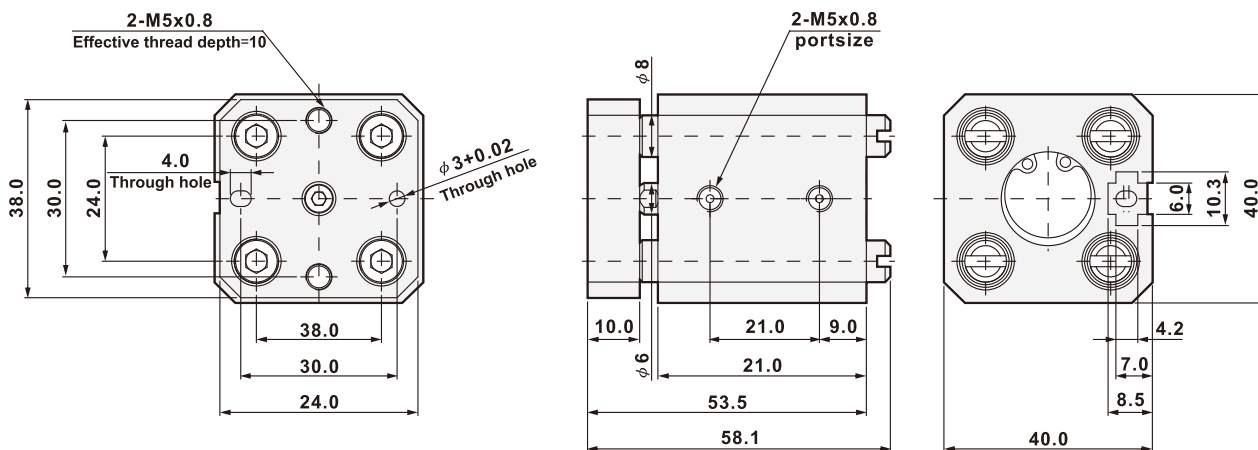
JC16

-

CU08072 - 0010

Customized model number

Dimensions



Specifications

Bore size	$\phi 16$
Stroke	10mm
Stroke tolerance	+1.0 / +0
Fluid	Compressed air
Acting	Double acting
Max. Operating pressure	0.05 ~ 0.8Mpa
Cushion	Rubber
Magnet	None
Ambient temperature	-5°C ~ 60°C (Unfrozen)
Piston speed	50 ~ 300mm/Sec