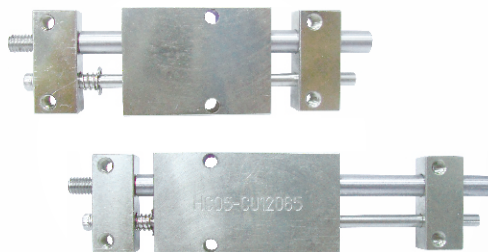


Features

- * Compact size, easy to be stacked.
- * Non-Rotated design.
- * Hollow guide rod for attaching vacuum pad.



How to order

HC05 - CU12121 - 0010

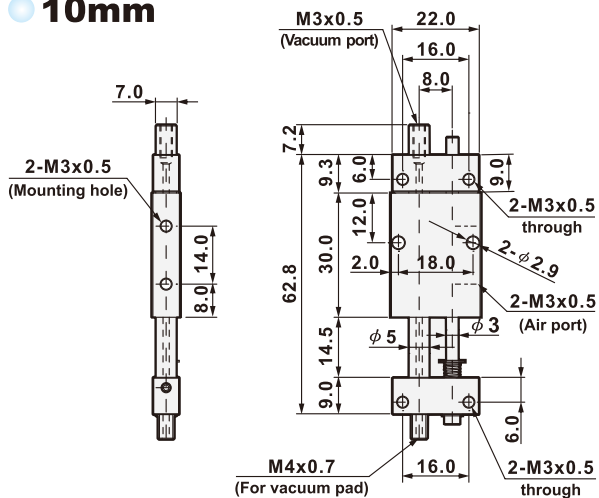
Customized model number

HC05 - CU12065 - 0020

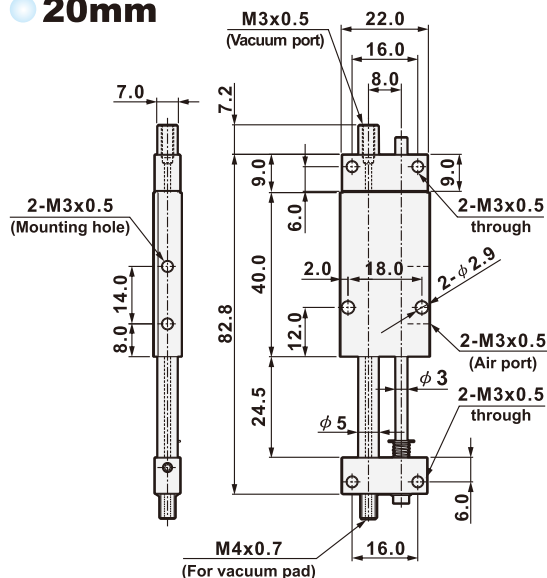
Customized model number

Dimensions

10mm



20mm



Specifications

Bore size	φ5
Stroke	10mm, 20mm
Stroke tolerance	+1.0 / +0
Fluid	Compressed air
Acting	Double acting
Max. Operating pressure	0.15 ~ 0.8Mpa
Construction	Hollow guide rod
Cushion	Internal: None, External: Spring
Magnet	None
Ambient temperature	-5°C ~ 60°C (Unfrozen)
Piston speed	1.5 ~ 500mm/Sec