

Features

- * SUS304 stainless steel piston rod is able to anti-corrosion and strengthen mechanism.
- * Single acting, spring return.

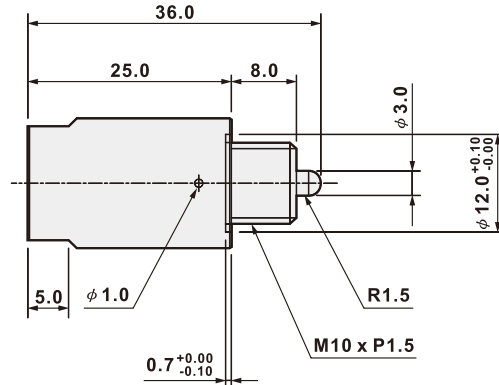
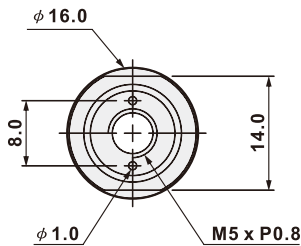


How to order

APCB10 - **CU09014** - **0008**

Customized model number

Dimensions



Specifications

Bore size	φ 10
Stroke	8mm
Stroke tolerance	+1.0 / +0
Fluid	Compressed air
Acting	Single acting
Max. Operating pressure	0.15 ~ 0.7Mpa
Cushion	None
Magnet	None
Ambient temperature	-5°C ~ +60°C
Piston speed	50 ~ 500mm/Sec