

Features

- * Specially for high pressure 0.5~50bar.
- * Large flow rate.
- * Quick response.
- * Ex-proof coil T4 as optional accessory.
- * Timer for setting on/off time as optional accessory.
- * Coil nut is available, please refer to page 7-6.



Patent number in Taiwan : M391595
Patent number in US. : GB2480100

How to order

* For the flange type, please contact our sales.

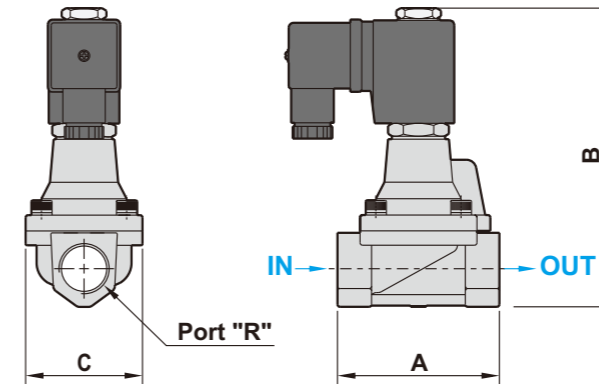
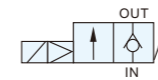
PU225	X	-	03	N	-	S	1	LED	E
Brass 2/2 way pilot acting	Series		Port size	Thread		Solenoid	Voltage	LED	Ex-proof coil
	X High pressure		03 3/8"	Blank G			1 110VAC	Blank/W/O LED	
			04 1/2"	N NPT			2 220VAC		
			06 3/4"	R Rc			9 24VDC		
			08 1"						

Specifications

Model	PU225X-03	PU225X-04	PU225X-06	PU225X-08
Port size	3/8"	1/2"	3/4"	1"
Fluid	Compressed air, water			
Orifice	13mm		25mm	
CV value	4.5		12	
Effective area	88mm ²		230mm ²	
Acting	Pilot acting			
Construction	Piston			
Operating pressure range	0.5 ~ 50.0 kgf/cm ² (0.5 ~ 50.0Bar)			
Proof pressure	76.5 kgf/cm ² (75.0Bar)			
Body material	Forged Brass			
Piston ring	SUS 304			
Fluid temperature	-10°C ~ 90°C			
Ambient temperature	-10°C ~ 60°C			
Installation	Horizontal			
Duty cycle	100% ED			
Coil type	DIN			
Protection class	IP65 (DIN 40 050)			
Insulation class	F			
Voltage tolerance	±10%			
Standard voltage	220VAC, 110VAC, 24VDC The other voltage is optional			
Power consumption	AC110V:17.6VA, AC220C:18.1VA, DC: 15W			
Net weight	860g	840g	1800g	1750g

Dimensions

PU225X Standard type



Model	PU225X-03	PU225X-04	PU225X-06	PU225X-08
R	3/8"	1/2"	3/4"	1"
A	66.5	66.5	100.0	100.0
B	106.5	106.5	126.5	126.5
C	48.0	48.0	70.0	70.0

(mm)

Explosion

