

## E-PU Series

### Features

1. Power consumption reduced by 75%.
2. Effectively reduce the temperature rise of the coil and improve the service life of the solenoid valve.
3. Lockable manual override for easy operation.
4. Anodized aluminum body and strict quality control provide a long durability.



### How to order

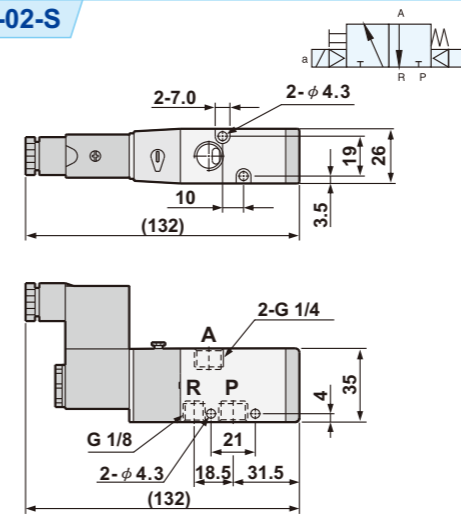
E-PU322	N	-	02	N	-	S7	-	L
3/2 Way	Acting style		Port size	Thread		Voltage		Led
	Blank: Normally closed N : Normally open		02 : 1/4" 03 : 3/8" 04 : 1/2"	Blank: G N : NPT R : Rc		S7 : 12VDC S9 : 24VDC		L : W/I LED

### Specifications

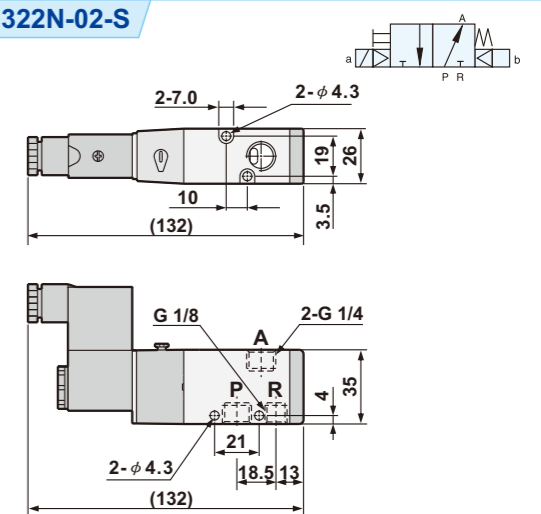
Model	E-PU322(N)-02-S	E-PU322(N)-03-S	E-PU322(N)-04-S
Port size	1/4"	3/8"	1/2"
Body material	Aluminum alloy		
Fluid	Compressed air		
Effective area	18mm <sup>2</sup>	35mm <sup>2</sup>	70mm <sup>2</sup>
Acting	Internal pilot		
Operating pressure range	2 ~ 8 kgf/cm <sup>2</sup>		
Proof pressure	9.9 kgf/cm <sup>2</sup>		
Ambient temperature	-10°C ~ 50°C		
Duty cycle	100% ED		
Coil type	DIN (Standard)		
Protection class	IP65 (DIN 40 050)		
Insulation class	F		
Voltage tolerance	± 10%		
Standard voltage	12VDC, 24VDC		
Net weight	280g	450g	685g

### Dimensions

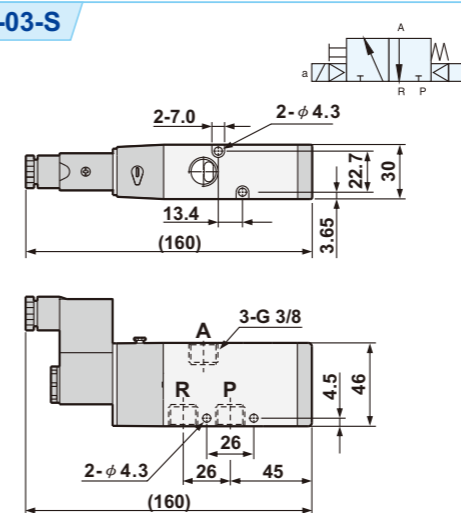
E-PU322-02-S



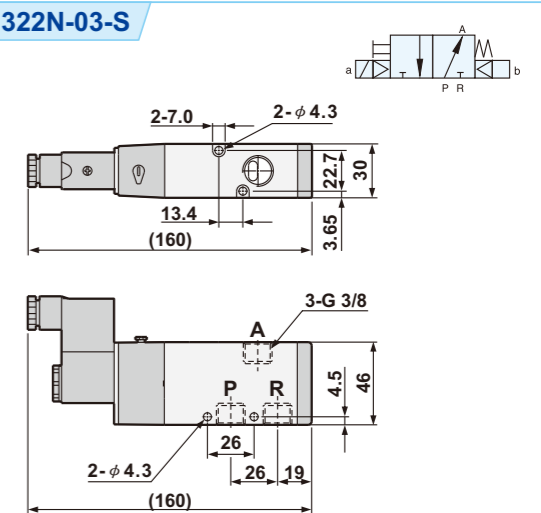
E-PU322N-02-S



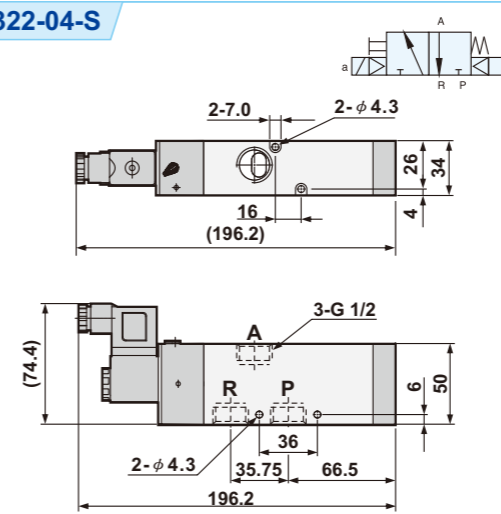
E-PU322-03-S



E-PU322N-03-S



E-PU322-04-S



E-PU322N-04-S

