

Features

1. Power consumption reduced by 75%.
2. Effectively reduce the temperature rise of the coil and improve the service life of the solenoid valve.
3. Direct acting.
4. Quick response.
5. Timer for setting on/off time as optional accessory.



How to order

E-PU220AR	V	-	01	1	N	-	S7	L
Brass	Diaphragm	Port size	Pressure	Thread	Voltage	Led		
Direct acting	Blank: HNBR V : VITON E : EPDM	01 : 1/8" 02 : 1/4"	Blank: Standard 1: High pressure 2: Medium pressure	Blank : G N: NPT R: Rc	S7: 12VDC S9: 24VDC	L : W/I LED		

How to order Repair kit

ZGPU220AR - 01	H
Repair kit	Port size
	01: 1/8", 1/4"
	Diaphragm
	H: HNBR V: VITON E: EPDM

ZGPU220AR-01	
Description	Qty.
Plunger	1
O-ring	1

Specifications

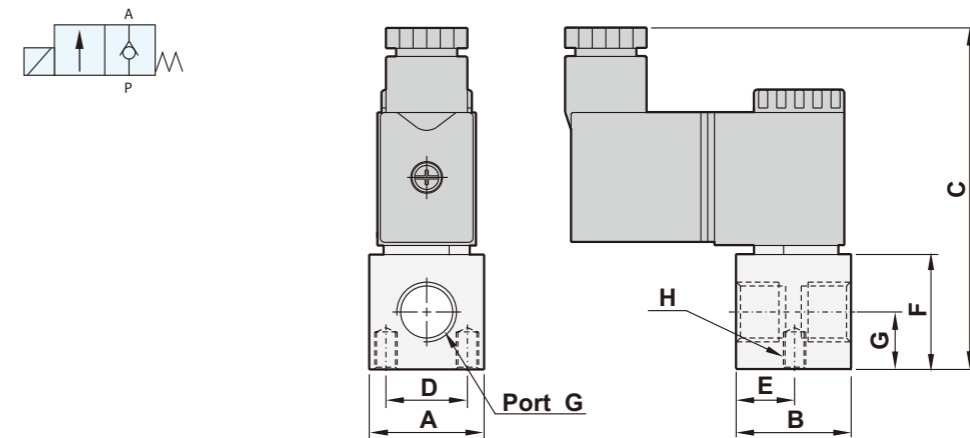
Model	E-PU220AR-01	E-PU220AR-011	E-PU220AR-012	E-PU220AR-02	E-PU220AR-021	E-PU220AR-022
Port size	1/8"			1/4"		
Fluid	Compressed air (light oil, water)					
Orifice	1.5mm	0.8mm	1.2mm	2.3mm	1.2mm	1.5mm
Effective area	1.8mm ²			3.3mm ²		
Acting	Direct acting					
Construction	Gasket					
Operating pressure range DC	0~7kgf/cm ²	0~13kgf/cm ²	0~10kgf/cm ²	0~7kgf/cm ²	0~13kgf/cm ²	0~10kgf/cm ²
Proof pressure	10 kgf/cm ²					
Body material	Brass					
Fluid temperature	-10°C ~ 90°C					
Ambient temperature	-10°C ~ 60°C					
Installation	Any direction (Horizontal is recommended)					
Duty cycle	100% ED					
Coil type	DIN					
Protection class	IP65 (DIN 40 050)					
Insulation class	F					
Voltage tolerance	±10%					
Standard voltage	12VDC, 24VDC					
Net weight	175g			255g		

Seal material selection guide

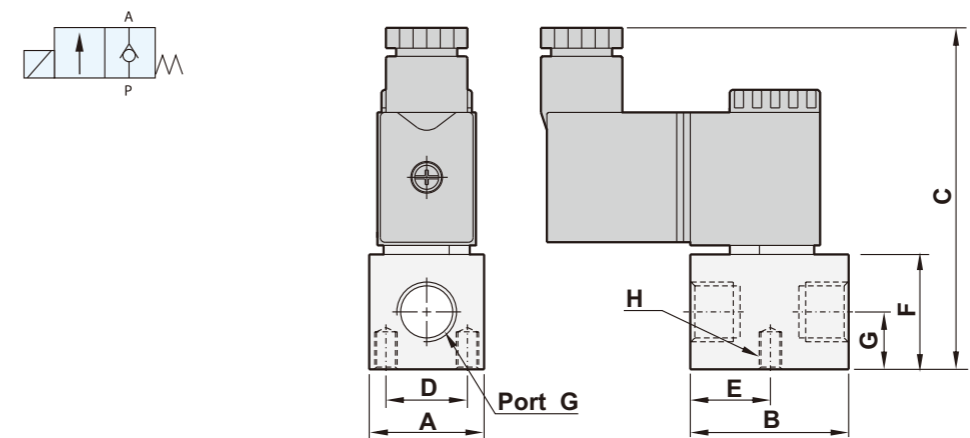
Seal	Temperature range	Suitable fluid	Unsuitable fluid
HNBR	-40°C ~ 150°C	Air, Water, Gear oil, Engine oil	Pharmaceutical liquid, Gasoline and Hi-test gasoline, Light oil
VITON	-10°C ~ 180°C	Fuel oil, Gasoline and Hi-test gasoline, Diesel fuel	Hot water, Steam, Brake oil (ATE Blue)
EPDM	-5°C ~ 130°C	Hot water, Detergent liquid	Mineral oil, Gasoline

Dimensions

E-PU220AR-01



E-PU220AR-02



Model	R	A	B	C	D	E	F	G	H
E-PU220AR-01	1/8"	22	22	72	15	11	22	7.5	M4xP0.7xL6.5
E-PU220AR-02	1/4"	25.4	35	75	18	17.5	25.4	12.7	M5xP0.8xL7.0