

Features

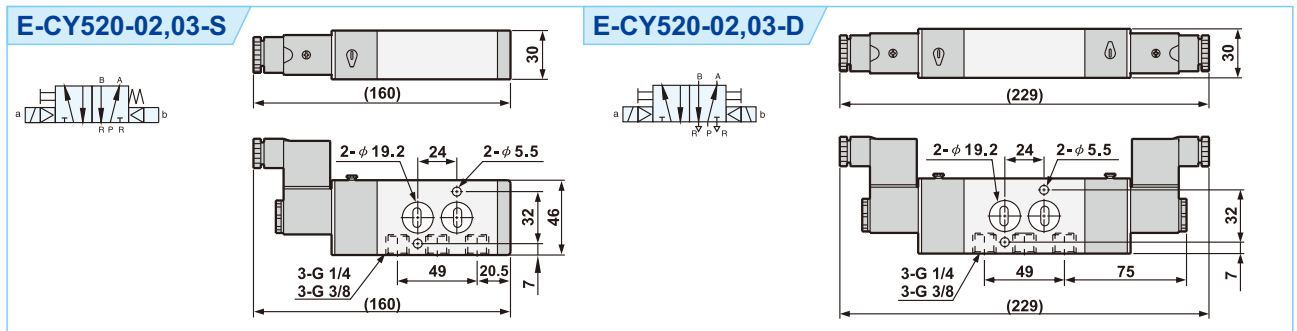
1. Power consumption reduced by 75%.
2. Effectively reduce the temperature rise of the coil and improve the service life of the solenoid valve.
3. Lockable manual override for easy operation.
4. Anodized aluminum body and strict quality control provide a long durability.



How to order

E-CY520 - 02	N -	S	7 -	L	
5/2 Way	Port size	Thread	Solenoid	Voltage	Led
	02 : 1/4" 03 : 3/8"	Blank : G N : NPT R : Rc	S : Single solenoid D : Double solenoid	7 : 12VDC 9 : 24VDC	L : W/I LED

Dimensions



Specifications

Model	E-CY520-02-S	E-CY520-02-D	E-CY520-03-S	E-CY520-03-D
Port size	1/4"		3/8"	
Body material	Aluminum alloy			
Fluid	Compressed air			
Effective area	35mm ²			
Acting	Internal pilot			
Operating pressure range	1.5~8 kgf/cm ²			
Proof pressure	9.99 kgf/cm ²			
Ambient temperature	-10°C ~ 50°C			
Duty cycle	100% ED			
Coil type	DIN (Standard)			
Protection class	IP65 (DIN 40 050)			
Insulation class	F			
Voltage tolerance	± 10%			
Standard voltage	12VDC, 24VDC			
Net weight	420.5g	503.6g	412g	495g