

Telescope Air Cylinder

■ Features

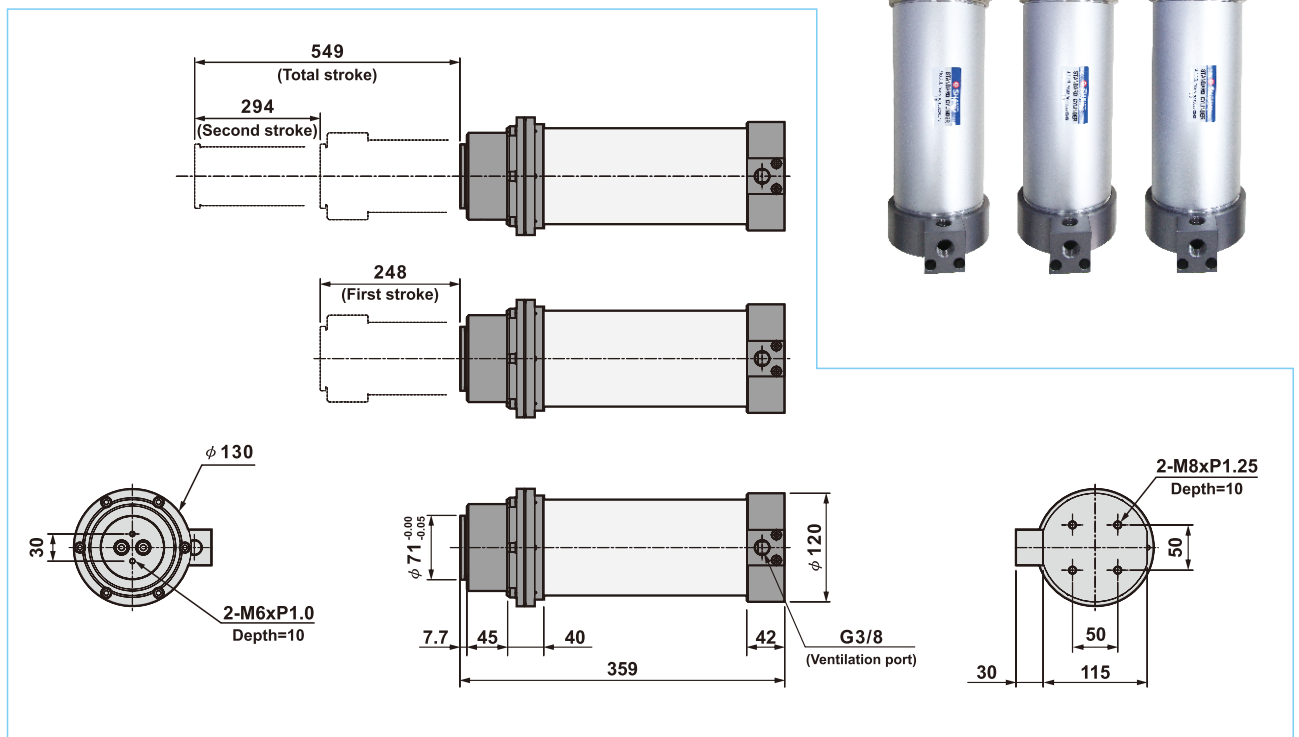
1. Short cylinder body but long stroke length, i.e. total stroke is about 1.4 times cylinder body length.
2. Telescoped dual stroke design.
3. Vertical installation.

■ How to order

TC63 - R013007 - 0542

Customized model number

■ Dimensions



■ Specifications

Bore size	$\phi 100(\phi 65)$
Port size	G3/8"
Fluid	Compressed air
Acting	Single acting (loading force return)
Max. Operating pressure	0.45 ~ 0.8Mpa
Body material	Seamless steel tube
Stroke	248+294=542mm
Cushion	$\phi 65$ Rubber cushion upon first stroke
Magnet	None
Ambient temperature	-5°C ~ 60°C (Unfrozen)
Piston speed	50 ~ 300mm/Sec