

Low Speed Cylinder

■ Features

1. Slow piston speed.
2. Low friction.
3. Stable acting.

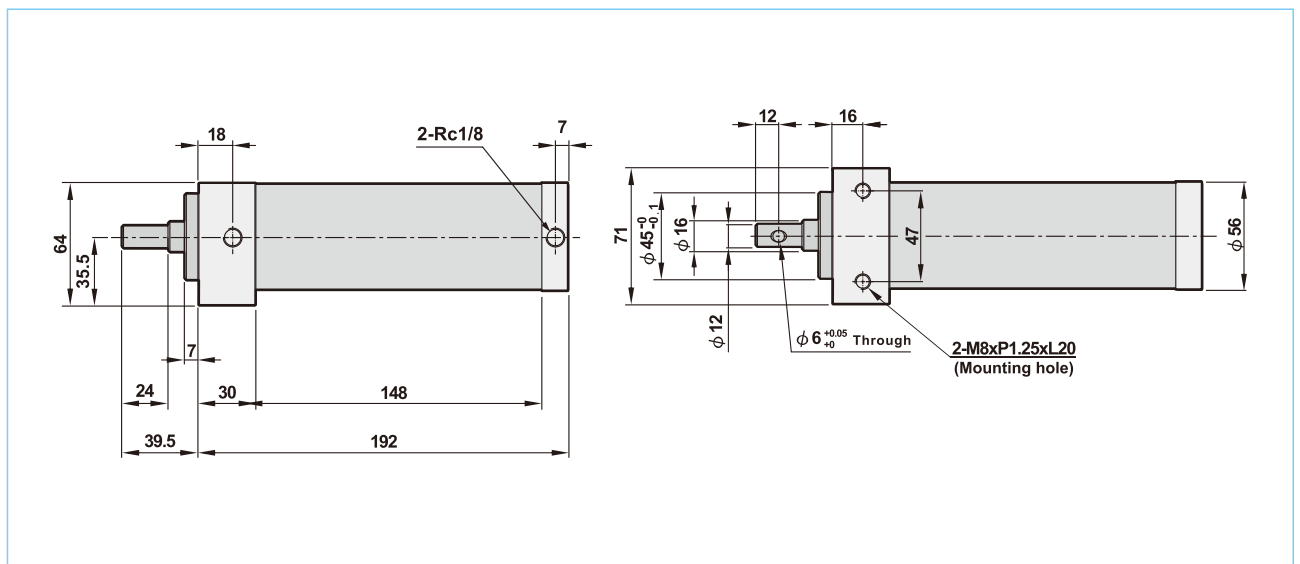


■ How to order

PCL50 - CU12048 - 0090

Customized model number

■ Dimensions



■ Specifications

Bore size	50mm
Stroke	90mm
Stroke tolerance	+1.0 / +0
Fluid	Compressed air
Acting	Double acting
Max. Operating pressure	0.15 ~ 0.85Mpa
Cushion	Air cushion
Magnet	None
Ambient temperature	-5°C ~ 60 °C (Unfrozen)
Piston speed	1.5 ~ 500mm/Sec