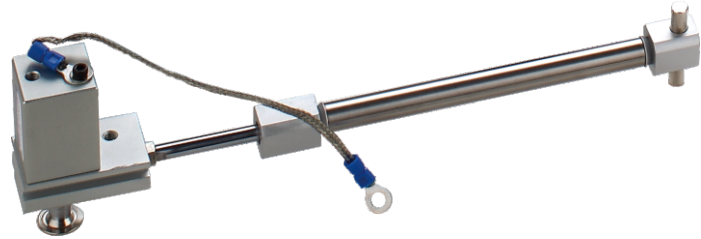


Conductive Cylinder

■ Features

1. For PCB high-speed driller.
2. Regardless the piston position, electricity can be transmitted to rod end plate after energized.

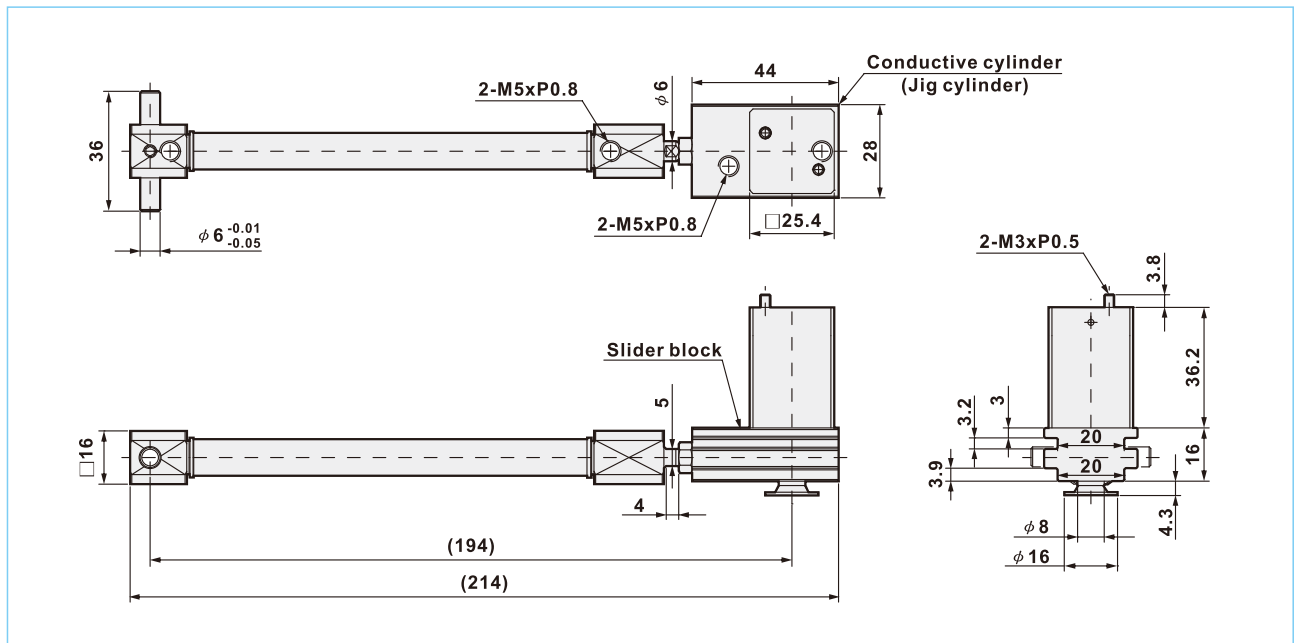


■ How to order

JPC - CU10020

Customized model number

■ Dimensions



■ Specifications

Bore size	$\phi 12$
Stroke	25mm
Stroke tolerance	+1.0 / +0
Fluid	Compressed air
Acting	Double acting
Max. Operating pressure	0.15 ~ 0.85Mpa
Cushion	Rubber
Magnet	None
Ambient temperature	-5°C ~ 60 °C (Unfrozen)
Piston speed	50 ~ 700mm/Sec