

Ultrasonic Cylinder

■ Features

1. Smooth & stable piston acting.
2. Stable & slow piston movement in cushion area.

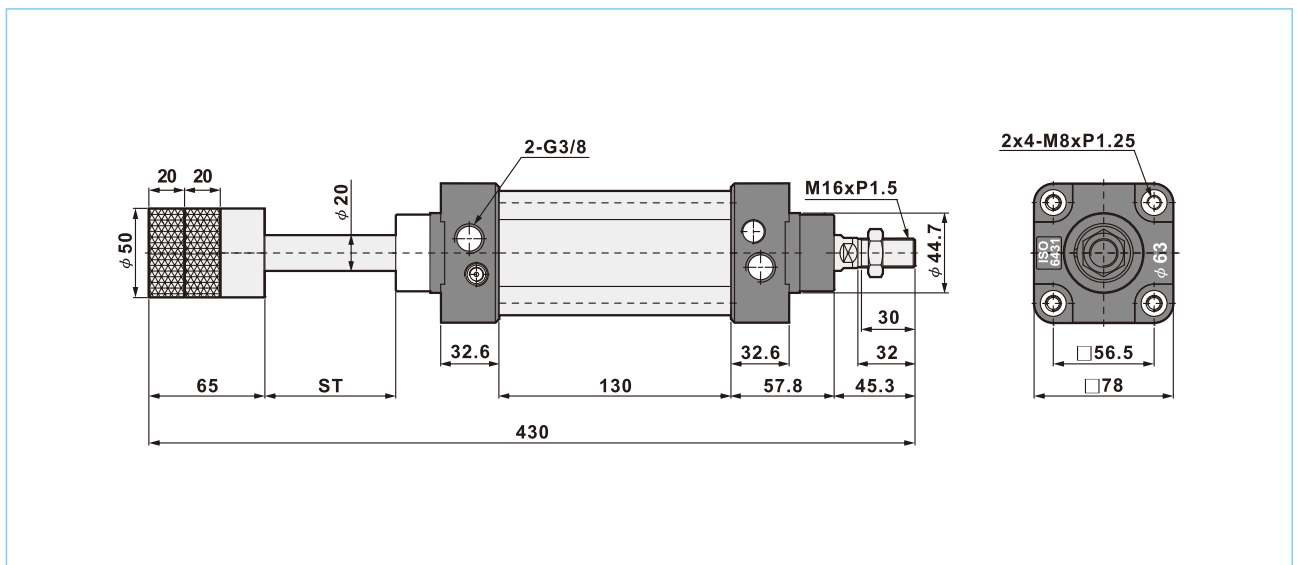


■ How to order

ICA63 – R012005 – 0075

Customized model number

■ Dimensions



■ Specifications

Bore size	$\phi 63$
Stroke	75mm
Stroke tolerance	+1.0 / +0
Fluid	Compressed air
Acting	Double acting
Max. Operating pressure	0.15 ~ 0.95Mpa
Cushion	Air cushion
Magnet	None
Ambient temperature	-5°C ~ 60°C (Unfrozen)
Piston speed	50 ~ 700mm/Sec