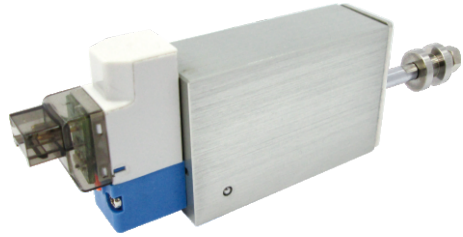


High Speed Cylinder

■ Features

1. Aluminum alloy body provides corrosion and wear resistance as well as long life cycle.
2. Compact size and space saving.
3. Quick acting.
4. Attached with low power consumption (0.8W) 10mm solenoid valve.

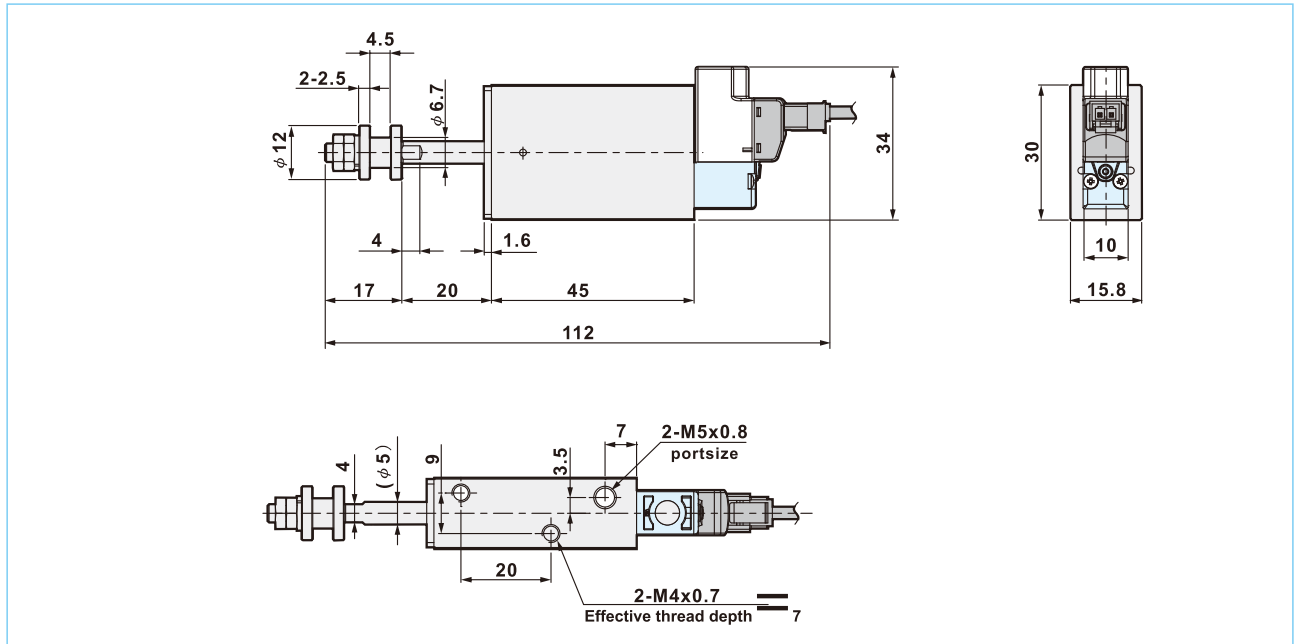


■ How to order

HCV1 – CU09009 – 0015

Customized model number

■ Dimensions



■ Specifications

Bore size	$\phi 10$
Stroke	15mm
Stroke tolerance	+1.0 / +0
Fluid	Compressed air
Acting	Single acting (Spring return)
Max. Operating pressure	0.15 ~ 0.8Mpa
Acting frequency	6Hz
Cushion	Rubber
Magnet	None
Ambient temperature	-5°C ~ 50°C (Unfrozen)
Piston speed	50 ~ 500mm/Sec