

Single Acting Miniature Cylinder

■ Features

1. SUS304 stainless steel piston rod is able to anti-corrosion and strengthen mechanism.
2. Single acting, spring return.

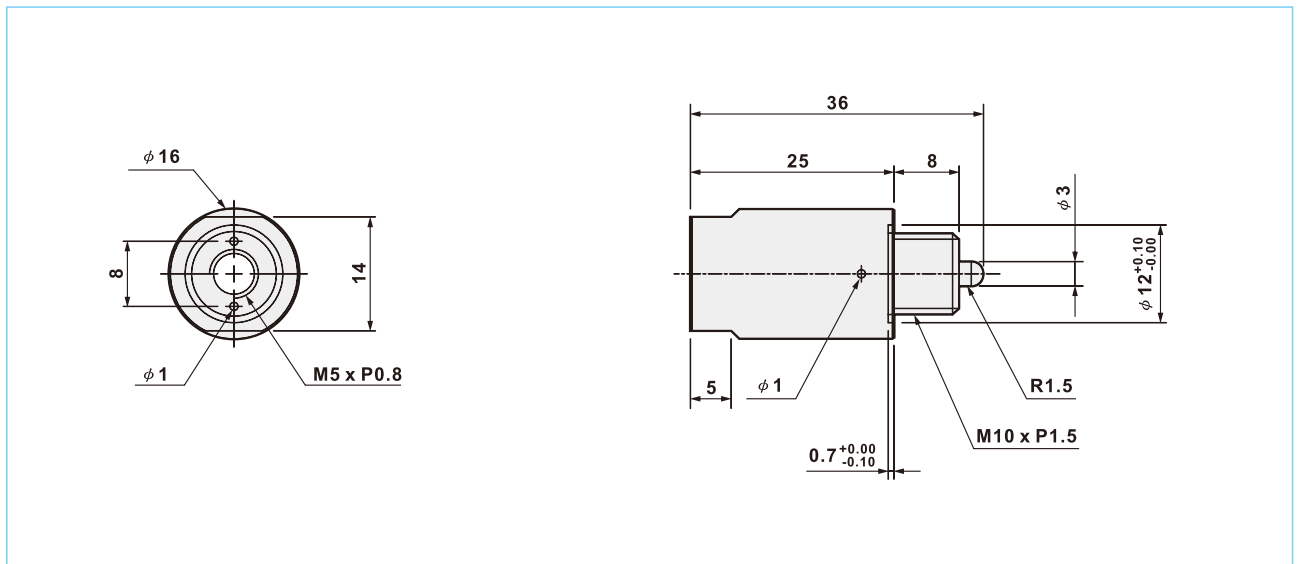


■ How to order

APCB10 – CU09014 – 0008

Customized model number

■ Dimensions



■ Specifications

Bore size	$\phi 10$
Stroke	8mm
Stroke tolerance	+1.0 / +0
Fluid	Compressed air
Acting	Single acting
Max. Operating pressure	0.15 ~ 0.7Mpa
Cushion	None
Magnet	None
Ambient temperature	-5°C ~ +60°C
Piston speed	50 ~ 500mm/Sec