

Mini Single Acting Cylinder

■ Features

1. Easy operation.
2. Main body and piston rod are made out of stainless steel for corrosion resistance.

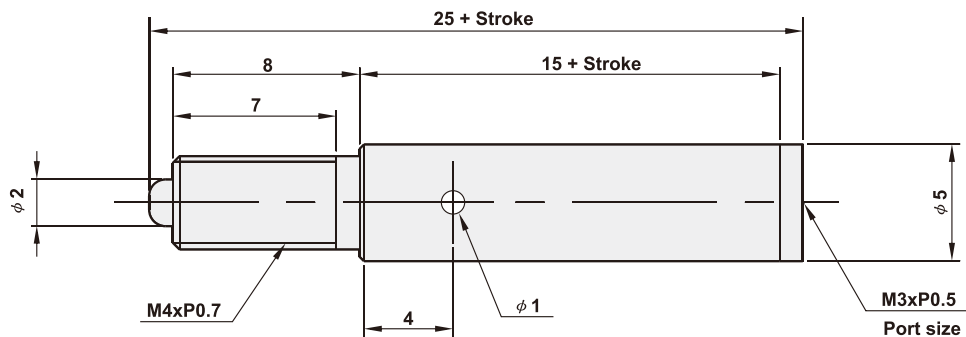


■ How to order

APC4 - CU08078 - 0010

Customized model number

■ Dimensions



■ Specifications

Bore size	$\phi 4$
Port size	M3xP0.5
Fluid	Compressed air
Acting	Single acting
Operating pressure range	3 ~ 7 kgf/cm ²
Max. operating pressure	7 kgf/cm ²
Material	SUS
Cushion	None
Magnet	None
Ambient temperature	-5°C ~ 60°C
Piston speed	50~500mm/Sec.