

## Features

1. Solenoid valve controller.
2. Selectable timing range.
3. 24-240VAC/DC 50/60Hz.
4. DIN 43650 ISO-4400/6952.
5. IP65 NEMA 4.
6. Resettable.

## Applications

1. Auto drain valve: Automatic discharge of condensate.
2. Sampling(gas or liquid), Air dryers.
3. Effluent sampling.
4. Sprinkler systems.
5. Pneumatic vibration systems(eg. Powder silos).
6. Automatic lubrication systems.

## Suitable models

### Z10100 suitable for:

PU220AR-03, PU220A, SPU220A, PU220D, PU225A, SPU225A, PU225H, PU225X, PU225S, SPU220, PU225W, PE220 series.

### Z10101 suitable for:

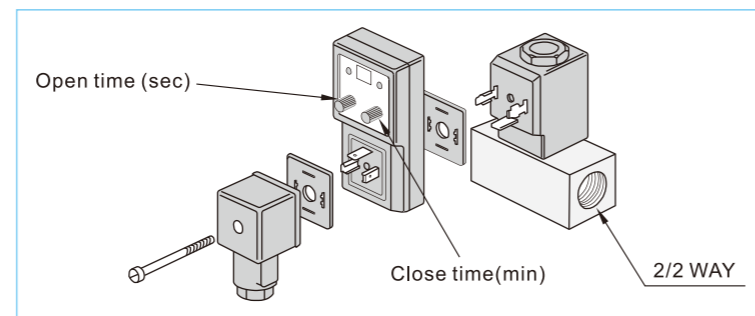
PU220AR-01, PU220AR-02 series.

## Specifications

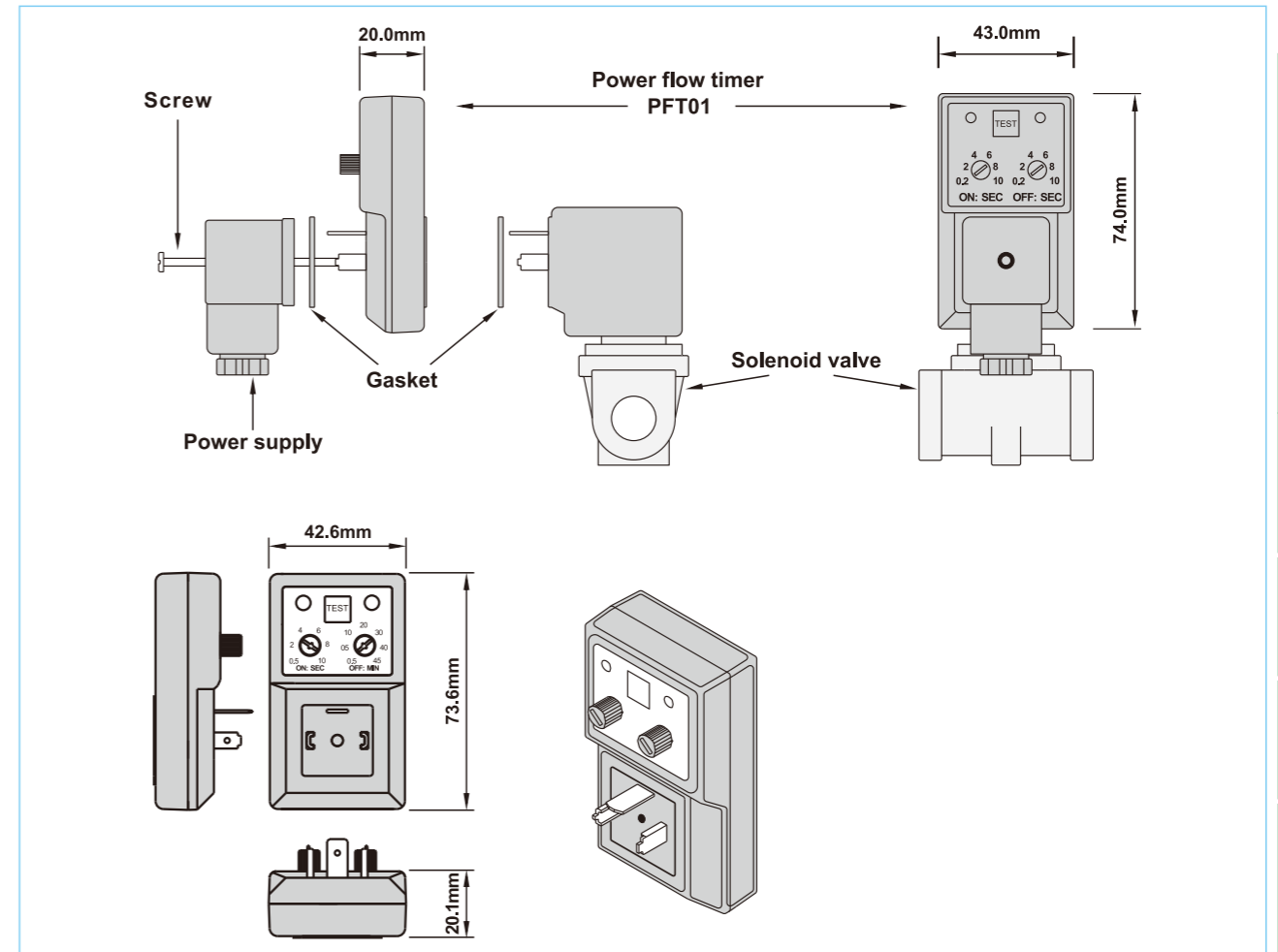
Model	Z10100	Z10101
Applicable coil width	30mm, 36mm	22mm
Supply voltage	24~240VAC/DC 50/60Hz	
Open time range	0.5 to 10 sec.	
Close time range	0.5 to 60 min.	
Current consumption	4 mA. Max	
Operating temperature	-10°C to 50°C	
Environment protection	IP65, NEMA IV	
Switch capacity	1Amp	
Inrush current	10 Amps for 10 mSec.	
Switch holding voltage	400V	
Duty cycle	100%	
Switch life	3E8 operations	
Repeat accuracy	±1%	
Timing temp. coefficient	±0.005°C	
Scale accuracy	±10%	
Reset/Test	Manual touch switch	
Connection	Din 43650 ISO-4400/6952	
Indicator	LED's to indicate phases	
Design standard	VDE 0100C	



## Installation



## Dimensions



## Application

