

Features

1. Closing time delay 7 to 10 seconds to prevent water hammer.
2. Pilot acting for low starting pressure.
3. Large flow rate and high working pressure.
4. Stainless steel stem provides exceptional durability.
5. Ex-proof coil T4 as optional accessory, please refer to page 5-9.
6. Timer for setting on/off time as optional accessory.
7. Coil nut is available, please refer to page 5-3.



How to order

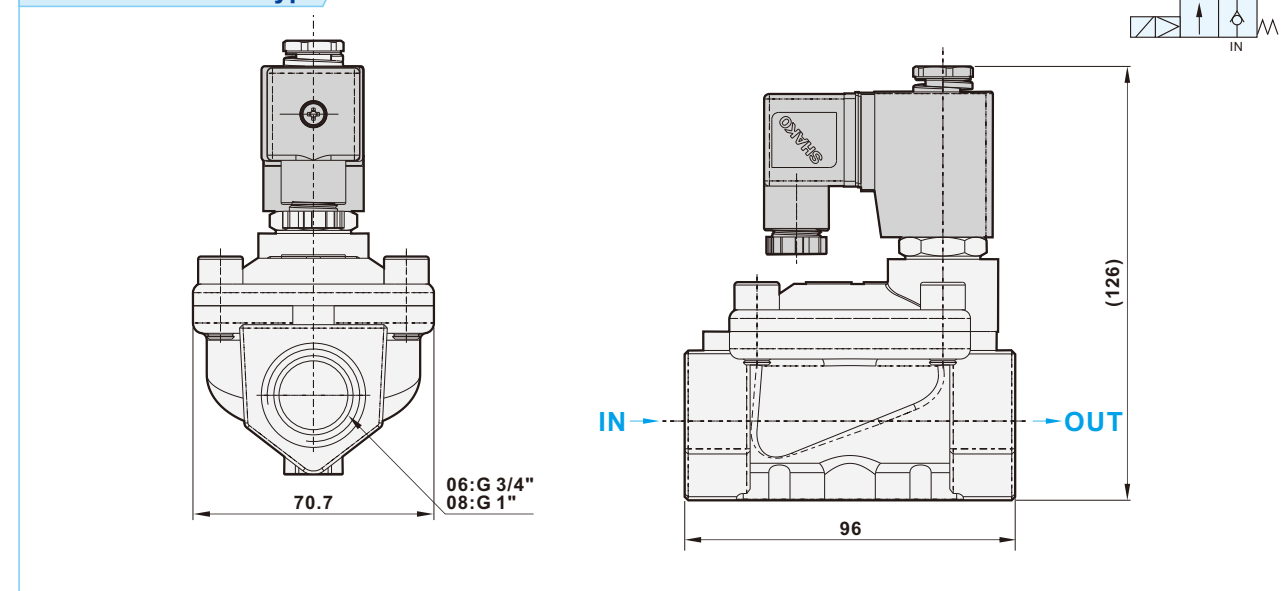
| | | | | | | | | | |
|---------------------------------------|---|---|---|-----------------------------------|--|---|---------------------------------------|--|----------|
| PU225W N | V | F | - | 06 | N | - | S1 | L | E |
| Brass Pilot acting Water-hammer proof | Acting style Blank: Normally closed N : Normally open | Diaphragm Blank : NBR V : VITON E : EPDM H : HNBR | Flange type Blank : W/O Flange F : 10K F3 : 150LB F4 : PN16 | Port size 06 : 3/4" 08 : 1" | Thread Blank : G N : NPT R : Rc | Voltage S1 : 110VAC S2 : 220VAC S6 : 24VAC S7 : 12VDC S9 : 24VDC | Led Blank : W/O LED L : W/I LED | Ex-Proof coil Blank : Standard E : EX-proof coil | |

Specifications

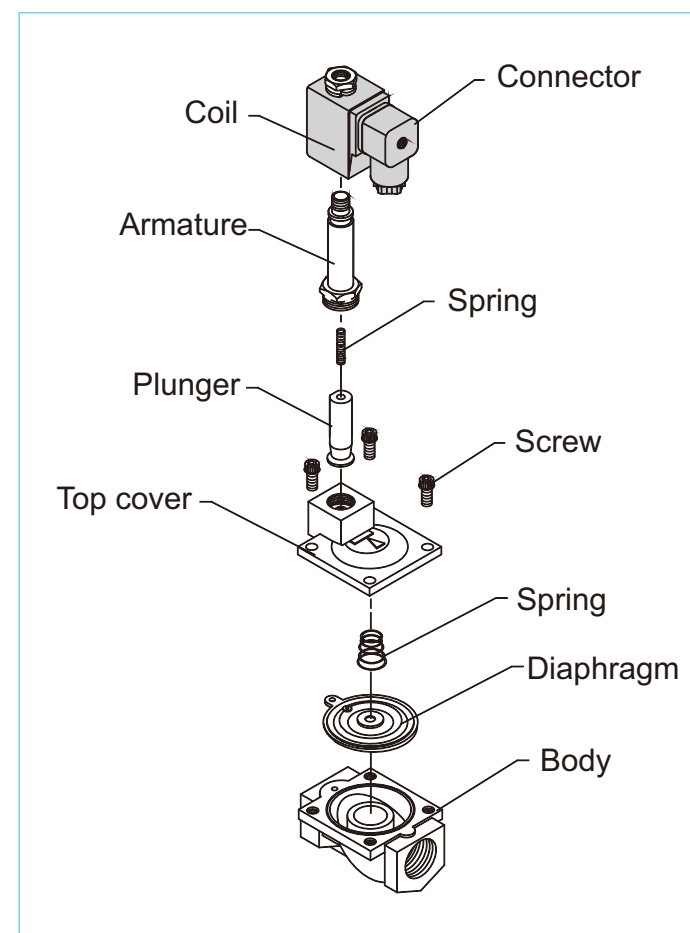
| Model | PU225W-06 | PU225W-08 |
|--------------------------|--|-----------|
| Port size | 3/4" | 1" |
| Fluid | Water | |
| Orifice | 25mm | |
| Effective area | 230mm ² | |
| Acting | Pilot acting | |
| Construction | Diaphragm | |
| Operating pressure range | 0.5~10 kgf/cm ² (0.5 ~ 10.0Bar) | |
| Proof pressure | 15 kgf/cm ² (15.0Bar) | |
| Body / Flange material | Forged Brass / Steel SS41 | |
| Fluid temperature | -10°C ~ 90°C | |
| Ambient temperature | -10°C ~ 60°C | |
| Installation | Horizontal | |
| Duty cycle | 100% ED | |
| Coil type | DIN | |
| Protection class | IP65 | |
| Insulation | F | |
| Voltage tolerance | ±10% | |
| Standard voltage | 220VAC, 110VAC, 24VDC, the other voltage is optional | |
| Power consumption | Normally closed AC110V : 17.6VA, AC220V : 18.1VA, DC : 15W | |
| Net weight | 1550g | |

Dimensions

PU225W Standard type



Explosion



Flow chart

1" Pilot acting

