

Features

1. Direct acting and quick response.
2. Suitable for acid & alkali chemical fluid.
3. Fluid must be liquid.
4. Horizontal installation.
5. Anti-backflow.
6. Can be used with PU320.



How to order

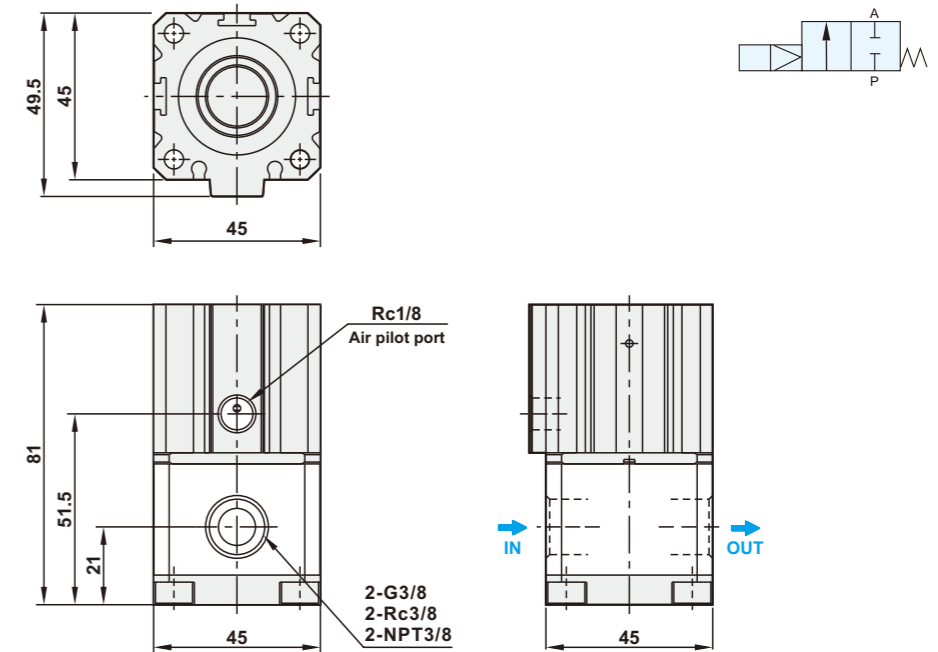
PEC22	03	N
Teflon	Port size	Thread
Direct acting	03 : 3/8"	Blank : G
Pneumatic control	04 : 1/2"	N : NPT
	06 : 3/4"	R : Rc
	08 : 1"	

Specifications

Model	PEC22-03	PEC22-04	PEC22-06	PEC22-08
Port size	3/8"	1/2"	3/4"	1"
Fluid	Pure water, Acid & alkali chemical liquid			
Orifice	8mm		12mm	
Acting	Direct acting			
Acting style	Normally closed			
Diaphragm	NBR coated with PTFE in bottom			
Fluid pressure range	-98pa ~ 5.0 kgf/cm ²			
Cylinder operating pressure range	1.5 ~ 9.0 kgf/cm ²			
Valve body material	Teflon			
Cylinder port size	1/8		1/4	
Max. secondary pressure	3.0 kgf/cm ²			
Ambient temperature	-10°C ~ 60°C			
Installation	Horizontal			
Cylinder body material	Aluminum alloy			
Net weight	491g		1320g	

Dimensions

PEC22-03,04



PEC22-06,08

