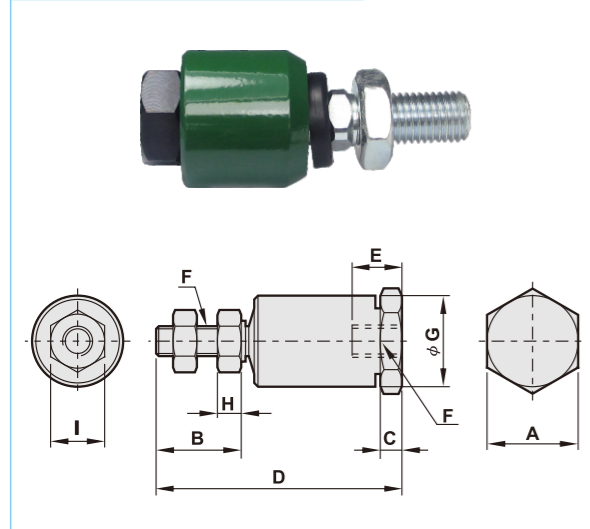


■ Dimensions

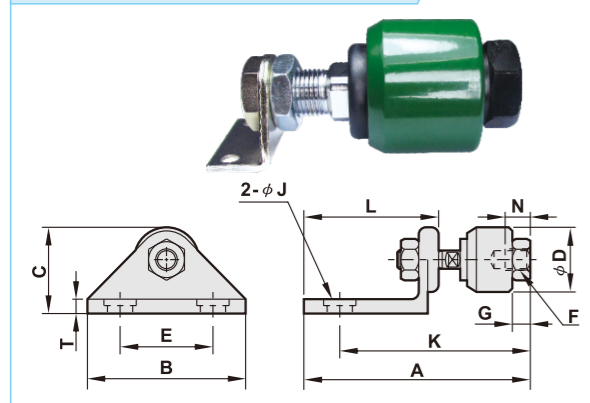
Basic type floating joint (T)



(Unit: mm)

Order code	A	B	C	D	E	F	G	H	I
ZNFT-M4	5	10	4	26	5	M4xP0.7	12	-	-
ZNFT-M6	10	12.5	5	37	7	M6xP1.0	18	-	-
ZNFT-M8	13	18	7	50	8	M8xP1.25	24	-	-
ZNFT-M10	17	20	8	58	9	M10xP1.25	26	6	17
ZNFT-M12	17	21.5	8	58	9	M12xP1.25	28	7	19
ZNFT-M16	27	27	12	90	14	M16xP1.5	45	8	24
ZNFT-M20	33	29	14	102	18	M20xP1.5	53	8	27
ZNFT-M27	-	54	16	147	39	M27xP2.0	62	14	-
ZNFT-M36	-	72	42	251	80	M36xP2.0	80	18	-

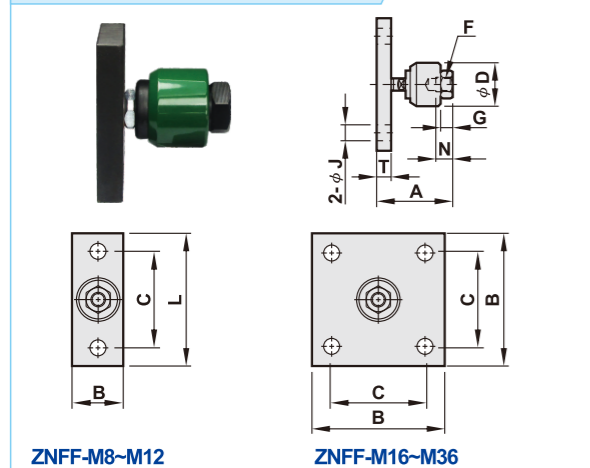
Axial foot type floating joint (L)



(Unit: mm)

Order code	A	B	C	D	E	G	J	K	L	N	T	F
ZNFL-M8	63	44	15	24	26	7	9	53	29	8	4	M8xP1.25
ZNFL-M10	74	44	19	26	26	8	9	63	35	9	5	M10xP1.25
ZNFL-M12	71	45	19	28	26	8	9	63	35	9	5	M12xP1.25
ZNFL-M16	151	60	28	45	32	13	11	105	90	15	15	M16xP1.5
ZNFL-M20	178	68	35	53	36	15	14	124	106	18	20	M20xP1.5

Flange type floating joint (F)



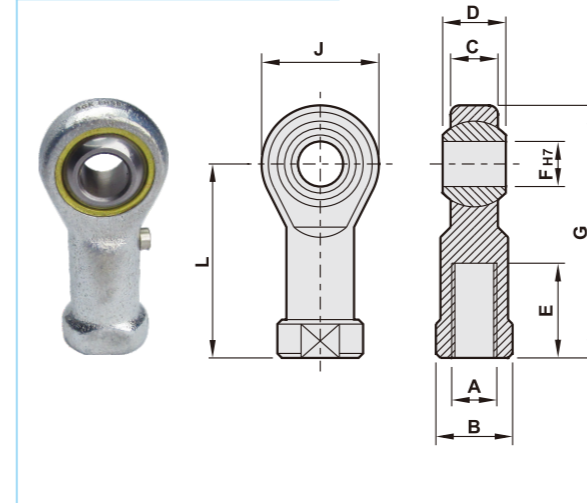
(Unit: mm)

Order code	A	B	C	D	F	G	J	L	N	T
ZNFF-M8	39	25	40	24	M8xP1.25	7	φ 6.6	52	8	6
ZNFF-M10	48	32	44	26	M10xP1.25	8	φ 6.6	56	9	9
ZNFF-M12	45	32	44	28	M12xP1.25	8	φ 6.6	80	9	9
ZNFF-M16	76	74	45	45	M16xP1.5	13	φ 11	-	23	15
ZNFF-M20	87	87	100	50	M20xP1.5	15	φ 14	-	27	18
ZNFF-M27	117	100	70	63.5	M27xP2	20	φ 14	-	33	21
ZNFF-M36	133	130	95	75	M36xP2	22	φ 16	-	40	25

For ISO Air Cylinder IC/TC/PC/PCL/PMA/PMAL series

■ Dimensions

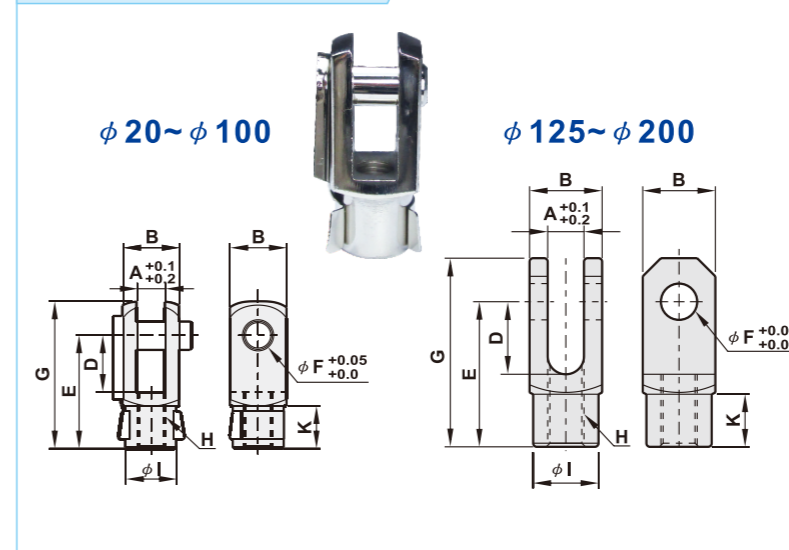
Eyebolt floating joint (P)



(Unit: mm)

Order code	A	B	C	D	E	F	G	J	L
ZNFP-M6	M6xP1.0	11	6.75	9	12	φ 6	39	18	30
ZNFP-M8	M8xP1.25	14	9	12	16	φ 8	47	22	36
ZNFP-M10	M10xP1.25	17	10.5	14	20	φ 10	56	26	43
ZNFP-M12	M12xP1.25	19	12	16	22	φ 12	65	30	50
ZNFP-M16	M16xP1.5	22	15	21	28	φ 16	84	40	64
ZNFP-M20	M20xP1.5	30	18	25	33	φ 20	102	50	77
ZNFP-M27	M27xP2.0	41	26	35	53	φ 28	143.5	67	110
ZNFP-M36	M36xP2.0	50	28	43	60	φ 35	165	80	125

Double knuckle joint (ZNFY)



(Unit: mm)

Order code	A	B	C	D	D-1	E	E-1	F	G	G-1	I	K	H
ZNFY(I)-M8	8	16	-	10	10	35	35	φ 8	45	45	14	10	M8XP1.25
ZNFY(I)-M10	10	20	16	20	14	40	40	φ 10	52	52	18	14.5	M10XP1.25
ZNFY(I)-M12	12	25	18	24	16	48	48	φ 12	62	62	22	16	M12XP1.25
ZNFY(I)-M16	16	32	26	32	20	65	56	φ 16	83	70	28	22	M16XP1.5
ZNFY(I)-M20	20	40	30	40	30	80	68	φ 20	105	88	38	30	M20XP1.5
ZNFY(I)-M27	30	54	45	55	40	110	110	φ 30	151.8	155	48	42	M27xP2.0
ZNFY(I)-M36	35	70	55	73	65	144	144	φ 35	195.8	195	62	52	M36xP2.0