

PCL Series Aluminum Round Cylinder



ISO6432 Standard Cylinder

Features

1. Identical to ISO6432 $\phi 20 \sim \phi 25$.
2. Miniature size and space saving.



How to order

PCL	32	B50	M	SF	1	FA	Y	S
Type	Bore size	Stroke	Magnet	Sensor type	Number of sensor	Mounting parts	Rod end joint	Rod material
PCL :Standard integrated clevis(Aluminum) PCCL :Boss-cut PCLD :Double rod PCLA :Stroke adjustable 25mm PCLB :Stroke adjustable 50mm APCL :Single acting/Spring return/Standard APCCL:Single acting/Spring return/Boss-cut APDL :Single acting/Spring extended/Standard APDCL:Single acting/Spring extended/Boss-cut	20 : $\phi 20$ 25 : $\phi 25$ 32 : $\phi 32$ 40 : $\phi 40$		Blank :W/O magnet M :W/I magnet	Blank :W/O sensor SF:LED in front  AL-20R/NP ST:LED on top  AL-21R/NP	1 pc 2 pcs	Blank:W/O mounting parts FA :Front flange FB :Rear flange CB:Female clevis LB:Foot mounting	Blank:W/O rod end joint Y :Double knuckle joint I :Single knuckle joint P :Eyebolt floating joint T :Basic floating joint L :Axial foot type floating joint F :Flange type floating joint	Blank:S45C S:SUS304

*Please refer to P3-185~P3-186

How to order mounting parts

ZIPC	FA	20
PCL series	Mounting parts	Bore size
	FA :Front flange FB :Rear flange CB :Female clevis LB :Foot mounting	20 : $\phi 20$ 25 : $\phi 25$ 32 : $\phi 32$ 40 : $\phi 40$

*Please refer to P3-54

How to order rod end joints

ZNF	Y	M20
	Rod end joint	Thread size
	Y :Double knuckle joint I :Single knuckle joint P :Eyebolt floating joint T :Basic floating joint L :Axial foot type floating joint F :Flange type floating joint	M8 :M8xP1.25 (PCL20) M10 :M10xP1.25 (PCL25, 32) M12 :M12xP1.25 (PCL40)

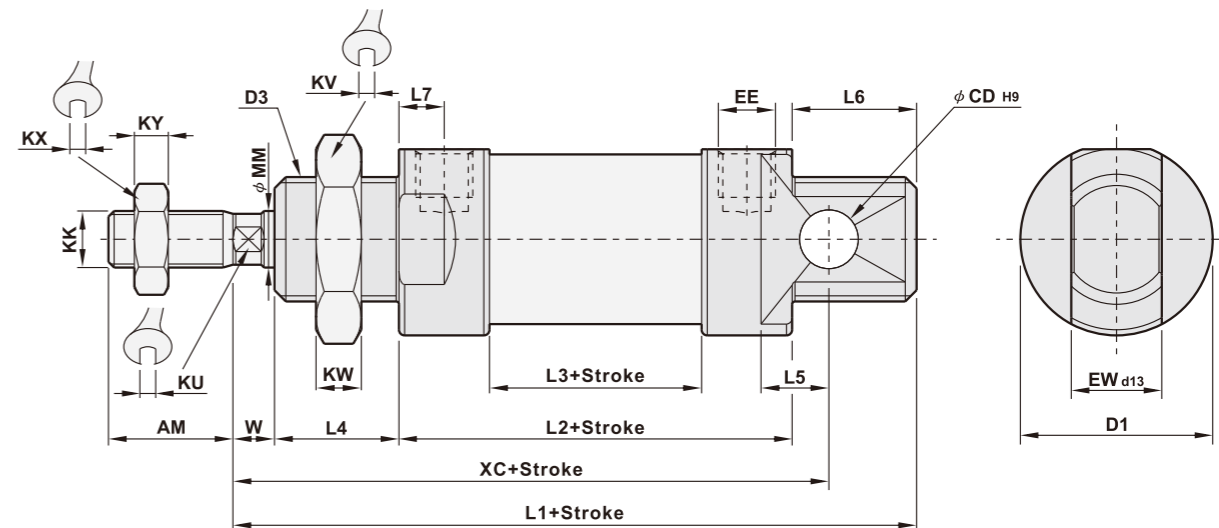
*Please refer to P3-183~P3-184

Specifications

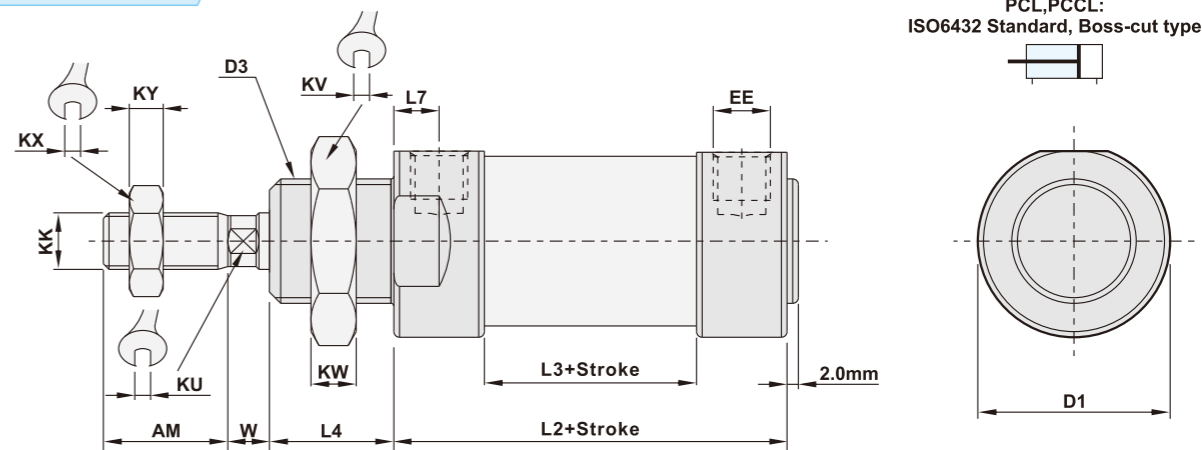
Bore size	$\phi 20$	$\phi 25$	$\phi 32$	$\phi 40$
Port size	1/8"			
Fluid	Compressed air			
Acting	Double acting or single acting			
Operating pressure range	1.5 ~ 8.5 kgf/cm ²			
Max operating pressure	9.5 kgf/cm ²			
Barrel material	Aluminum alloy			
Ambient temperature	-5°C ~ 60°C			
Piston speed	50~700mm/Sec			
Magnet	Option			

Dimensions

PCL Standard integrated clevis type



PCCL Boss-cut type



Pneumatic Actuators
Pen Cylinder
PC
PCL
PMA
PMAL
PJ

(Unit: mm)

Bore size	AM	D1	CD	D3	L1	L2	L3	L4	L5	L6	L7
$\phi 20$	20	29	$\phi 8$	M22xP1.5	109	67	36	18	12	18	7.75
$\phi 25$	22	34	$\phi 8$	M22xP1.5	117.5	69.5	37.5	20	12	20	8
$\phi 32$	22	39.5	$\phi 10$	M27xP2.0	133	83	47	20	13.5	22	9
$\phi 40$	24	49	$\phi 10$	M33xP2.0	138	85	49	20	13.5	22	9

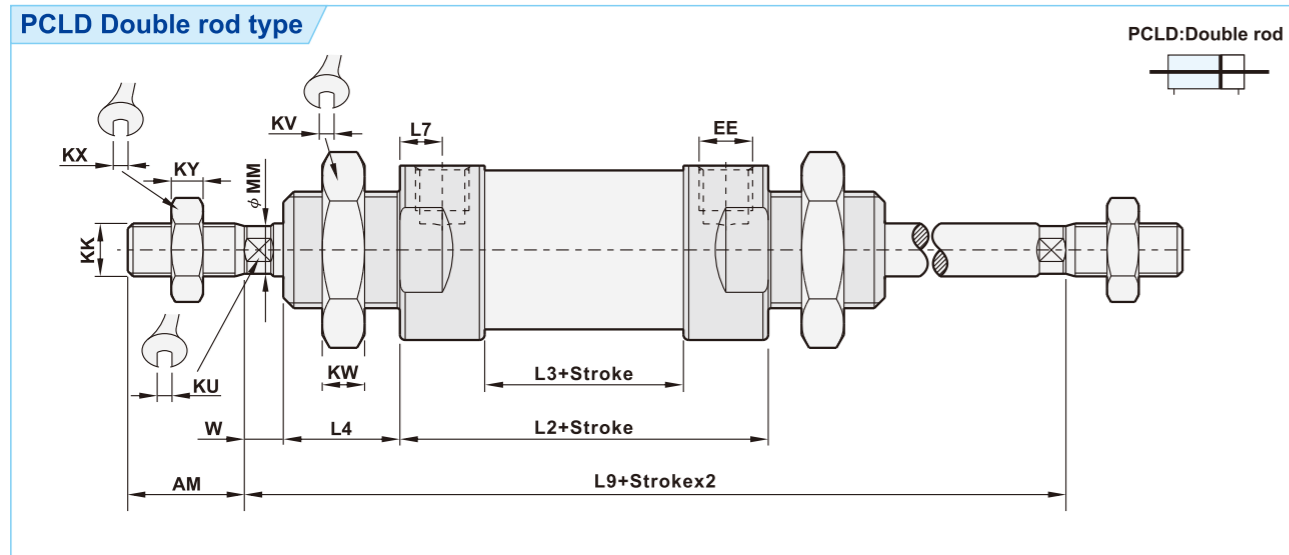
Bore size	KK	KU	KV	KW	KX	KY	MM	W	EW	XC	EE
$\phi 20$	M8xP1.25	7	30	6	13	6	$\phi 8$	6	16	95	G 1/8
$\phi 25$	M10xP1.25	9	30	6	17	6	$\phi 10$	8	16	104	G 1/8
$\phi 32$	M10xP1.25	10	32	8	17	6	$\phi 12$	8	22	120	G 1/8
$\phi 40$	M12xP1.25	14	41	8	19	7	$\phi 16$	11	26	125	G 1/8

PCL Series Aluminum Round Cylinder

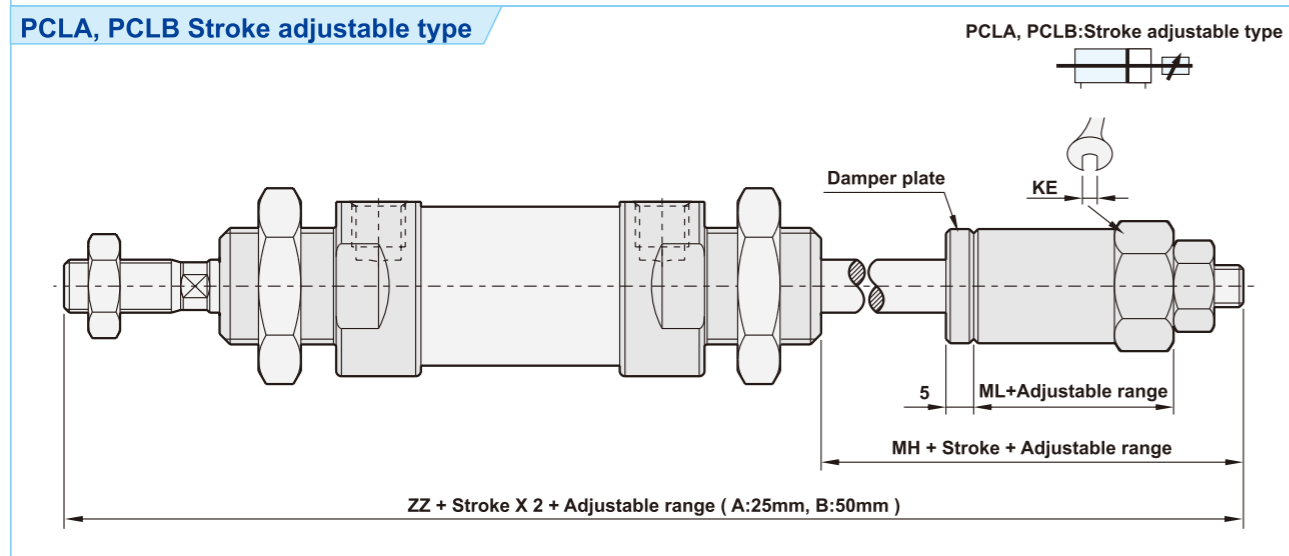
ISO6432 Standard Cylinder

Dimensions

PCLD Double rod type



PCLA, PCLB Stroke adjustable type



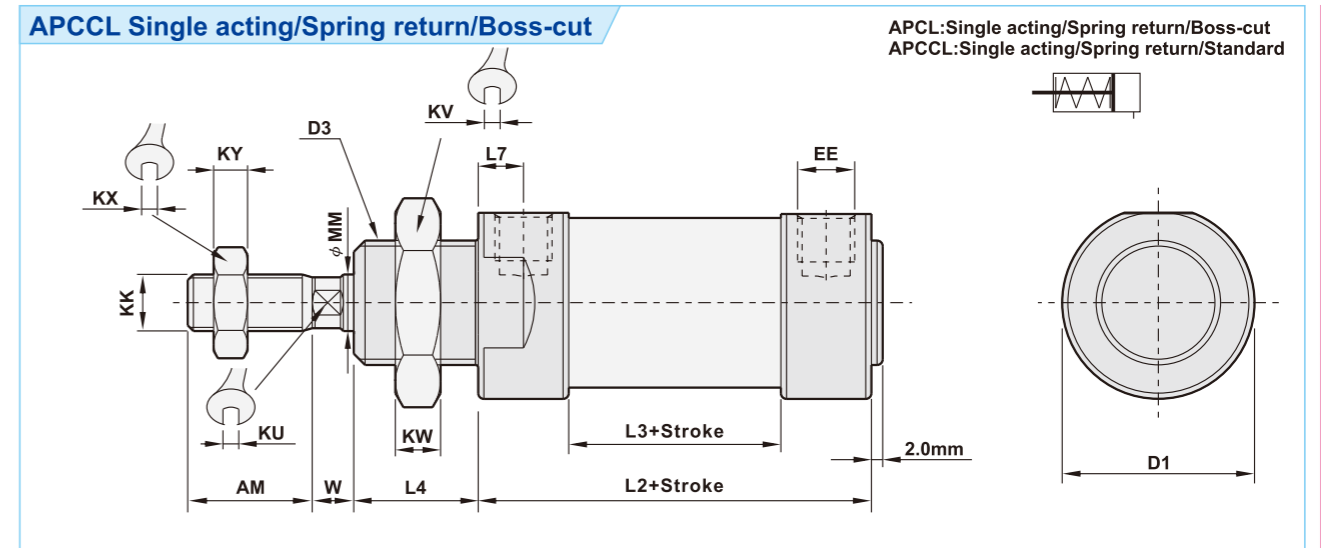
(Unit: mm)

Bore size	AM	L2	L3	L4	L7	EE	KU	KV	KW	KX	KY
φ 20	20	67	36	18	7.75	G 1/8	7	30	6	13	6
φ 25	22	69.5	37.5	20	8	G 1/8	9	30	6	17	6
φ 32	22	83	47	20	9	G 1/8	10	32	8	17	6
φ 40	24	85	49	20	9	G 1/8	14	41	8	19	7

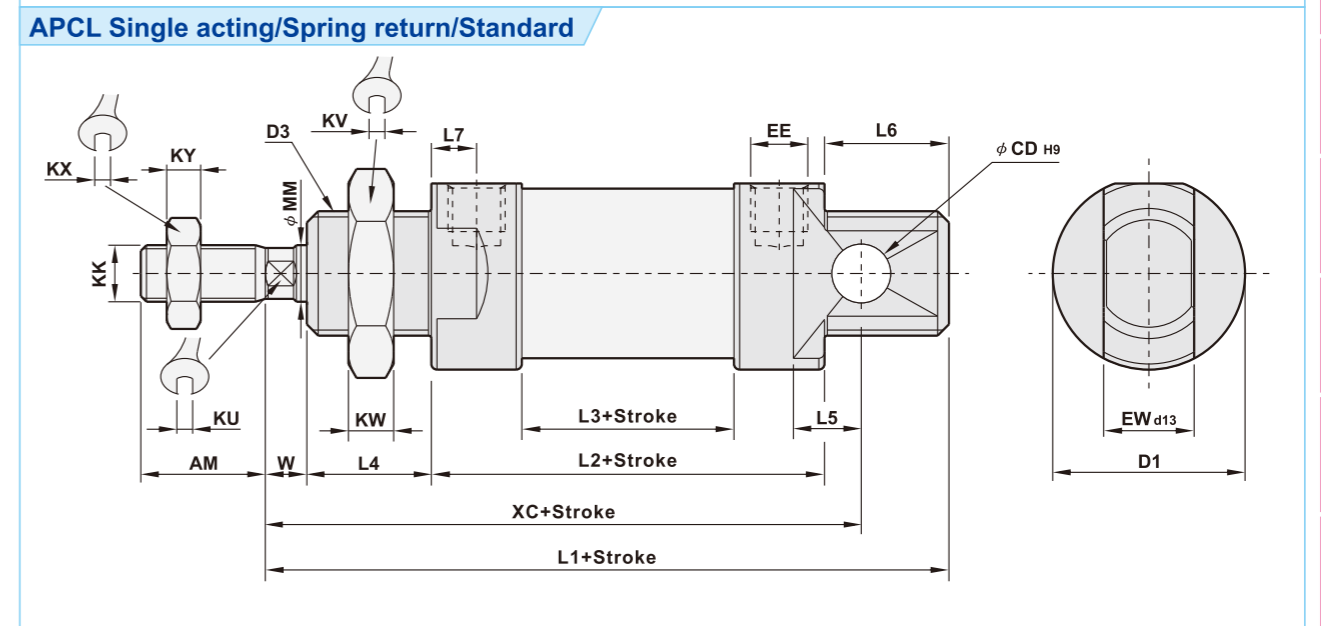
Bore size	MM	W	KK	L9	ZZ	MH	ML	KE
φ 20	φ 8	6	M8xP1.25	115	162	33	20	17
φ 25	φ 10	8	M10xP1.25	125.5	172.5	33	20	17
φ 32	φ 12	8	M10xP1.25	139	188	35	22	22
φ 40	φ 16	11	M12xP1.25	147	195	35	22	27

Dimensions

APCCL Single acting/Spring return/Boss-cut



APCL Single acting/Spring return/Standard



(Unit: mm)

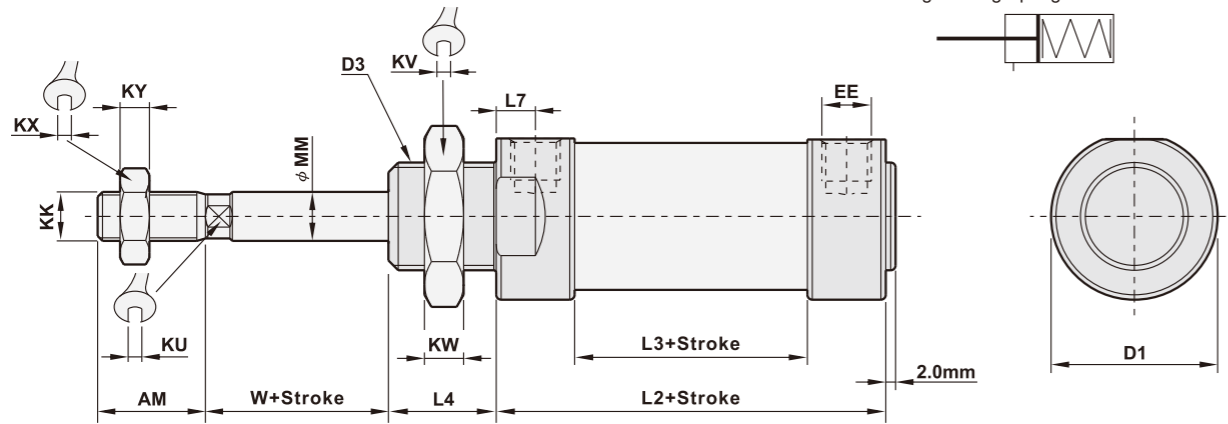
Bore size	AM	D1	CD	D3	L1	L2	L3	L4	L5	L6
φ 20	20	29	φ 8	M22xP1.5	134	92	61	18	12	18
φ 25	22	34	φ 8	M22xP1.5	142.5	94.5	62.5	20	12	20
φ 32	22	39.5	φ 10	M27xP2.0	158	108	72	20	13.5	22
φ 40	24	49	φ 10	M33xP2.0	163	110	74	20	13.5	22

Bore size	L7	KK	KU	KV	KW	KX	KY	MM	W	EW	XC	EE
φ 20	7.75	M8xP1.25	7	30	6	13	6	φ 8	6	16	120	G 1/8
φ 25	8	M10xP1.25	9	30	6	17	6	φ 10	8	16	129	G 1/8
φ 32	9	M10xP1.25	10	32	8	17	6	φ 12	8	22	145	G 1/8
φ 40	9	M12xP1.25	14	41	8	19	7	φ 16	11	26	150	G 1/8

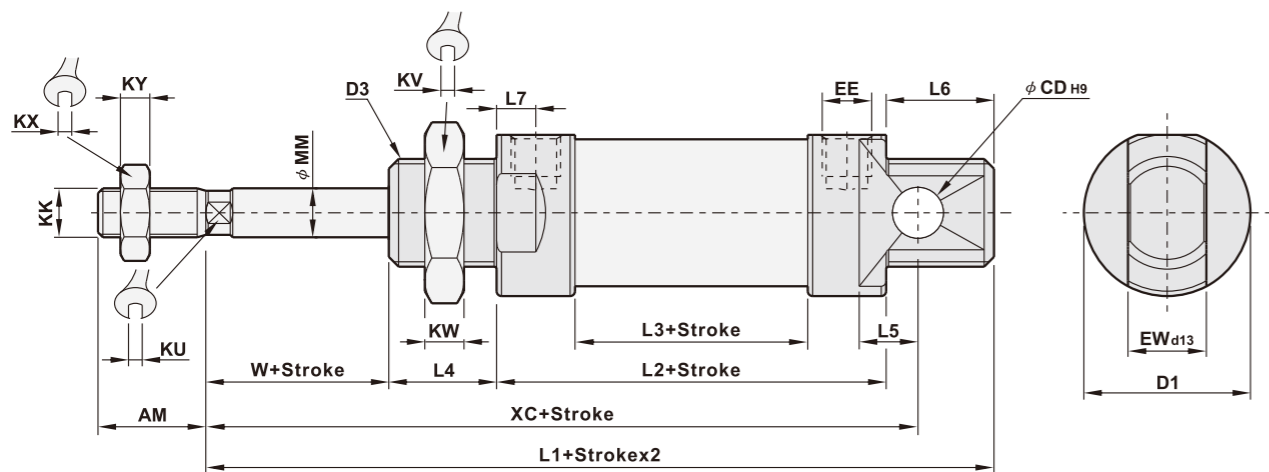
Dimensions

APDCL Single acting/Spring extended/Boss-cut

APDL:Single acting/Spring extended/Boss-cut
APDCL:Single acting/Spring extended/Standard



APDL Single acting/Spring extended/Standard



(Unit: mm)

Bore size	AM	D1	CD	D3	L1	L2	L3	L4	L5	L6
φ 20	20	29	φ 8	M22xP1.5	134	92	61	18	12	18
φ 25	22	34	φ 8	M22xP1.5	142.5	94.5	62.5	20	12	20
φ 32	22	39.5	φ 10	M27xP2.0	158	108	72	20	13.5	22
φ 40	24	49	φ 10	M33xP2.0	163	110	74	20	13.5	22

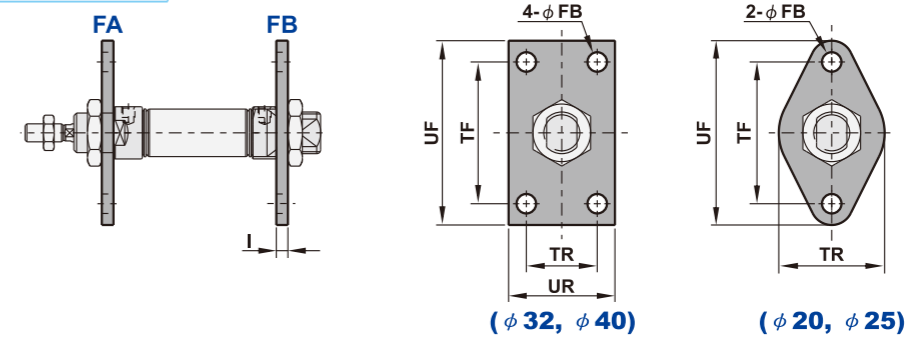
Bore size	L7	KK	KU	KV	KW	KX	KY	MM	W	EW	XC	EE
φ 20	7.75	M8xP1.25	7	30	6	13	6	φ 8	6	16	120	G 1/8
φ 25	8	M10xP1.25	9	30	6	17	6	φ 10	8	16	129	G 1/8
φ 32	9	M10xP1.25	10	32	8	17	6	φ 12	8	22	145	G 1/8
φ 40	9	M12xP1.25	14	41	8	19	7	φ 16	11	26	150	G 1/8

Mounting Parts

For ISO air Cylinder

Dimension of mounting parts

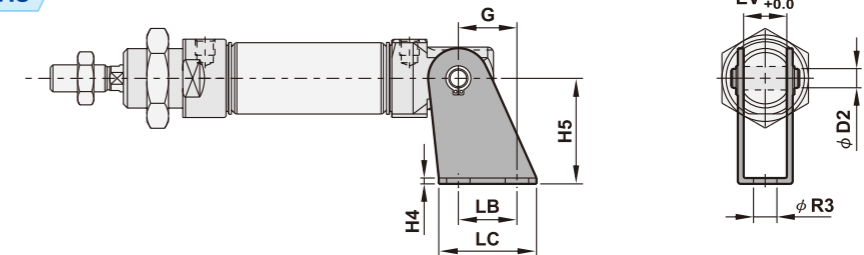
FA, FB Front & Rear flange



(Unit: mm)

Bore size	TF	TR	UF	UR	I	FB	Bore size	TF	TR	UF	UR	I	FB
φ 20	50	--	66	40	3	φ 6.5	φ 32	50	26	64	40	3	φ 7
φ 25	50	--	66	40	3	φ 6.5	φ 40	54	30	74	50	4	φ 7

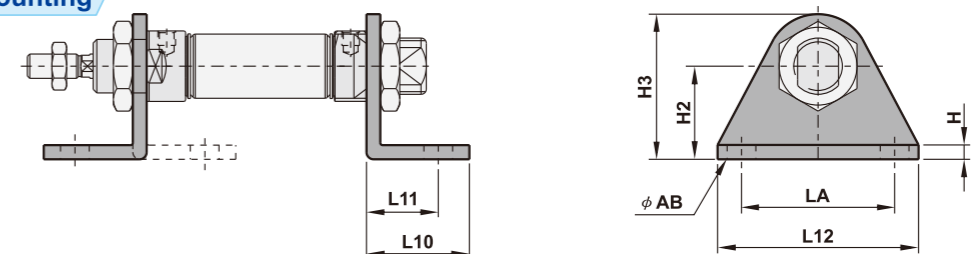
CB Female clevis



(Unit: mm)

Bore size	LB	LC	EV	H4	H5	G	D2	R3	Bore size	LB	LC	EV	H4	H5	G	D2	R3
φ 20	20	32	16	3	30	18.5	φ 8 ^{+0.04} / _{+0.0}	φ 7	φ 32	25	40	22	3	40	22.5	φ 10 ^{+0.03} / _{+0.0}	φ 9
φ 25	20	32	16	3	30	18.5	φ 8 ^{+0.04} / _{+0.0}	φ 7	φ 40	25	40	26	3	40	22.5	φ 10 ^{+0.03} / _{+0.0}	φ 9

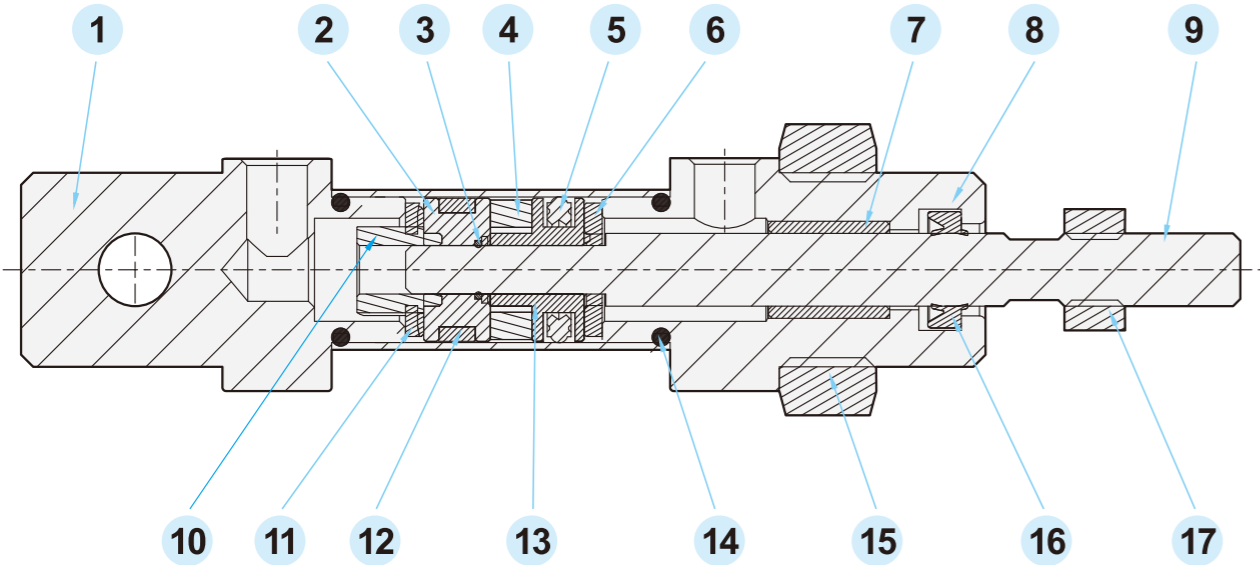
LB Foot mounting



(Unit: mm)

Bore size	L10	L11	L12	LA	H	H2	H3	AB	Bore size	L10	L11	L12	LA	H	H2	H3	AB
φ 20	26	17	54	40	3	25	45	φ 7	φ 32	25	18	64	50	3.5	28	48	φ 7
φ 25	26	17	54	40	3	25	45	φ 7	φ 40	30	20	74	54	4	31.5	60	φ 7

Material of parts



No.	Description	Material	Qty.	No.	Description	Material	Qty.
1	Rear cover	Aluminum alloy	1	10	Nut	Fe+Ni	1
2	Wear ring	Teflon+Graphite	1	11	Rear piston	Aluminum alloy	1
3	O-ring	NBR	1	12	Barrel	Aluminum alloy	1
4	Magnet	Rubber	1	13	Front piston	Aluminum alloy	1
5	U piston seal	NBR	1	14	O-ring	NBR	2
6	Bumper	NBR	2	15	Fixing nut	SS41+Ni	1
7	Bushing	Brass	1	16	Rod seal	NBR	1
8	Front cover	Aluminum alloy	1	17	Nut	Fe+Ni	1
9	Piston rod	S45C+Cr	1				

Stroke table

Bore size	Acting	Standard stroke(mm)	Max. Standard stroke(mm)
φ 20	Double acting	5 ~ 500	900
φ 25 ~ φ 40	Double acting	5 ~ 500	1200
φ 20 ~ φ 40	Single acting	25, 50	---

Note: Please contact our sales for non-standard stroke.

Memo...

Area with horizontal dashed lines for notes.

