

Features

1. Tie rod cylinder.
2. High quality of aluminum tube provides a long service life.
3. High quality of seals ensures leakage free.
4. Various sensors for option.
5. With adjustable cushions on both ends.



How to order

ICL	125	B	50	SF	1	FA	-	Y	-	S
Type	Bore size	Magnet	Stroke	Sensor type	Number of sensor	Mounting parts		Rod end joint		Rod material
ICL :ISO15552 standard type	125 : φ 125	B :W/I magnet		Blank :W/O sensor	1 pc	Blank :W/O mounting parts		Blank :W/O rod end joint		Blank :S45C
ICLD :Double piston rod type	160 : φ 160	C :W/O magnet		SF :LED in front	2 pcs	FA :Front flange		Y :Double knuckle joint		S :SUS304
ICLA :Stroke adjustable 25mm	200 : φ 200			AL-20R/N/P		FB :Rear flange		I :Single knuckle joint		
ICLB :Stroke adjustable 50mm				ST :LED on top		TC :Central trunnion		P :Eyebolt floating joint		
				AL-21R/N/P		CA :Male clevis		T :Basic floating joint		
						CB :Female clevis				
						CR :Angular trunnion with female clevis				
						LB :Foot mounting				

*Please refer to P3-185~P3-186
*Repair kit to P3-12

How to order mounting parts

ZI	FA	-	125
ICL series	Mounting parts		Bore size
	FA :Front flange		125 : φ 125
	FB :Rear flange		160 : φ 160
	TC :Central trunnion		200 : φ 200
	CA :Male clevis		
	CB :Female clevis		
	CR :Angular trunnion with female clevis		
	LB :Foot mounting		

*Please refer to P3-25~P3-26

How to order rod end joints

ZNF	Y	-	M27
	Rod end joint		Thread size
	Y :Double knuckle joint		M27 :M27xP2 (ICL125)
	I :Single knuckle joint		M36 :M36xP2 (ICL160, 200)
	P :Eyebolt floating joint		
	T :Basic floating joint		

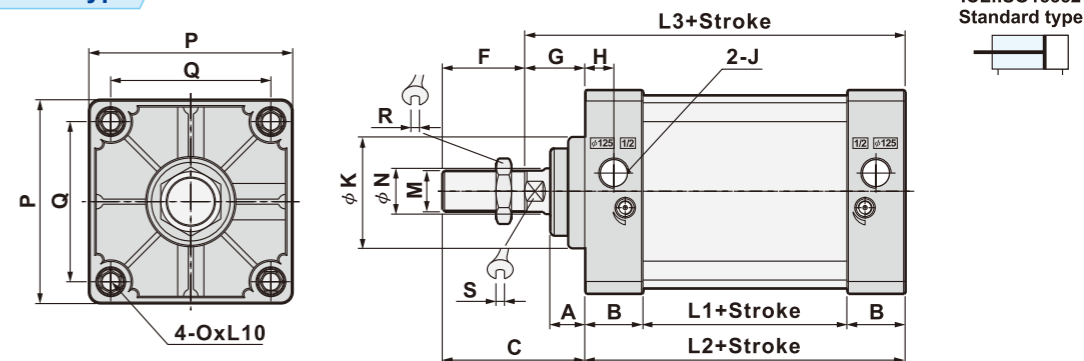
*Please refer to P3-183~P3-184

Specifications

Bore size	φ 125	φ 160	φ 200
Port size	1/2"		3/4"
Fluid		Compressed air	
Acting		Double acting	
Operating pressure range		1.5 ~ 9.5 kgf/cm ²	
Barrel material		Aluminum alloy	
Cushion		Built in	
Magnet		Option	
Ambient temperature		-5°C ~ 60°C	
Piston speed		50~700mm/Sec.	

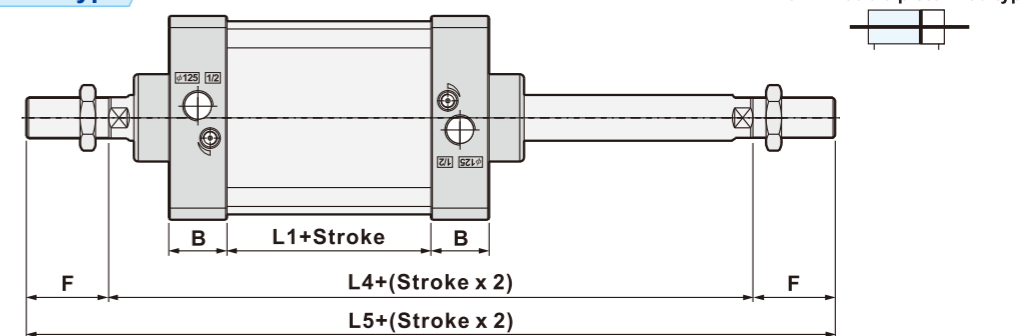
Dimensions

ISO15552 Standard type



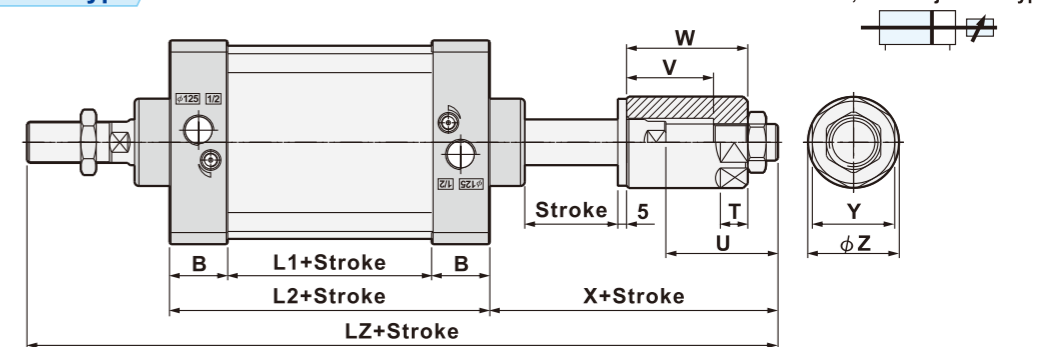
ICL:ISO15552 Standard type

ICLD Double piston rod type



ICLD:Double piston rod type

ICLA, ICLB Adjustable type



ICLA, ICLB Adjustable type

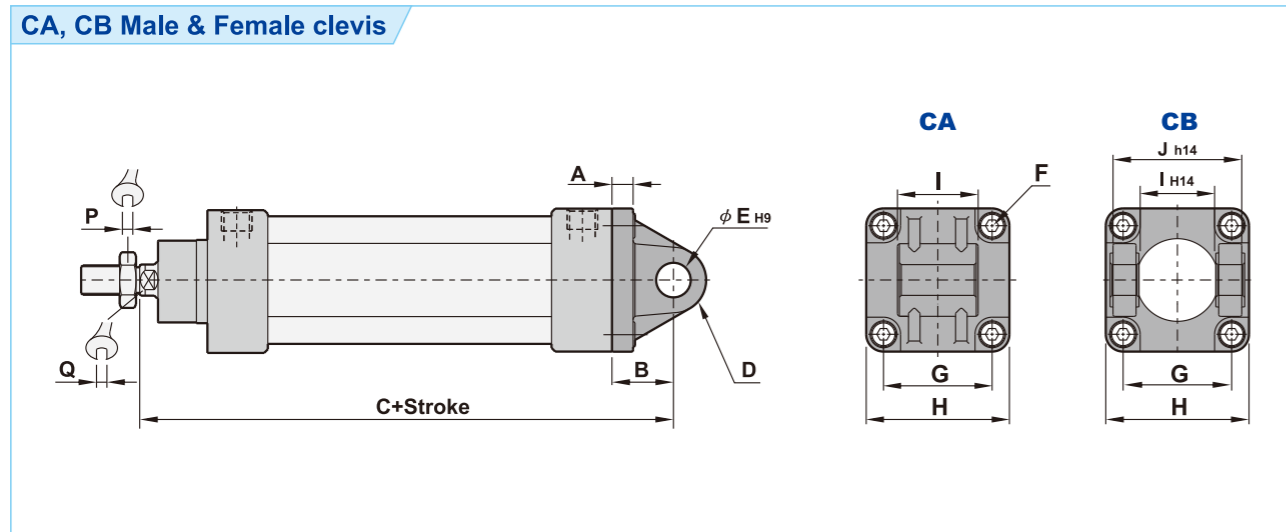
(Unit: mm)

Bore size	A	B	C	F	G	H	I	J	K	M	N	O	L1	L2	L3	L4	L5
φ 125	24.5	40	119	54	65	26.5	110	G1/2	φ 60	M27xP2	φ 32	M12	80	160	225	290	398
φ 160	38	50	152	72	80	25.5	140	G3/4	φ 65	M36xP2	φ 40	M16	80	180	260	340	484
φ 200	38	50	167	72	95	23.5	175	G3/4	φ 75	M36xP2	φ 40	M16	84	184	279	374	518

Bore size	LZ		U		V		W		X		P	Q	R	S	T	Y	Z
	ICLA	ICLB	ICLA	ICLB	ICLA	ICLB	ICLA	ICLB	ICLA	ICLB							
φ 125	409	434	65	90	57	82	74	99	130	155	140	110	40	27	21	50	φ 55
φ 160	491	516	79	104	69	94	89	114	159	184	180	140	50	36	21	55	φ 60
φ 200	525	550	79	104	69	94	89	114	174	199	220	175	50	36	21	55	φ 60

Dimension of mounting parts

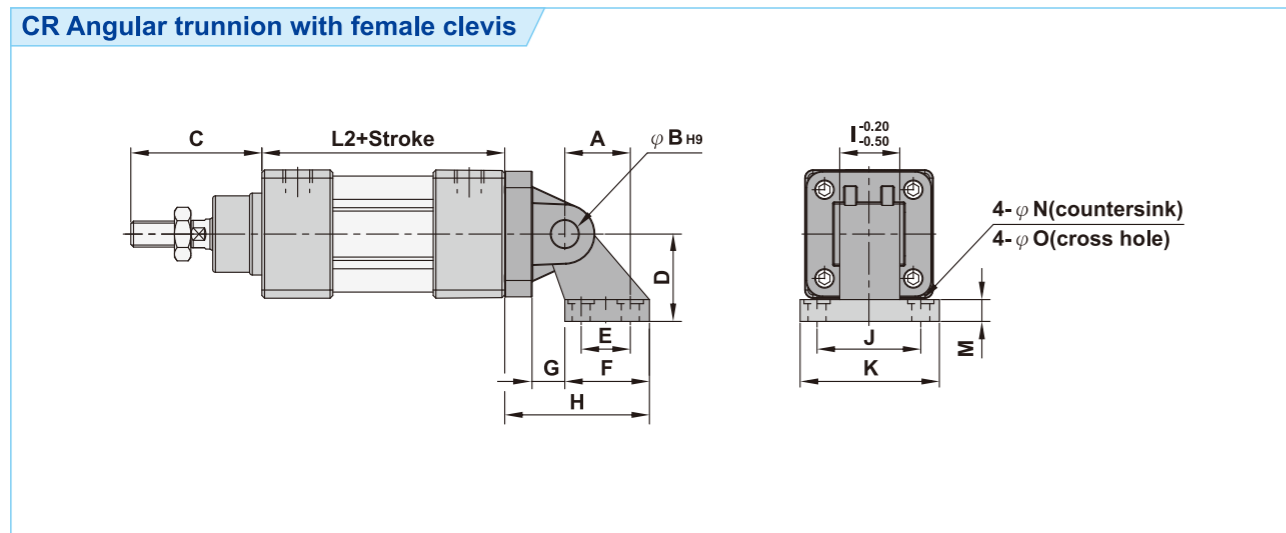
CA, CB Male & Female clevis



(Unit: mm)

Bore size	A		B	C	D	E	F	G	H	I	J	P	Q
	CA	CB											
φ 125	17	19	50	275	R25	φ 25	M12	110	140	70 ^{-0.5} _{-1.2}	130	40	27
φ 160	19.5	19.5	55	315	R30	φ 30	M16	140	180	90 ^{-0.5} _{-1.2}	170	50	36
φ 200	23	22	60	339	R30	φ 30	M16	175	220	90 ^{-0.5} _{-1.2}	170	50	36

CR Angular trunnion with female clevis

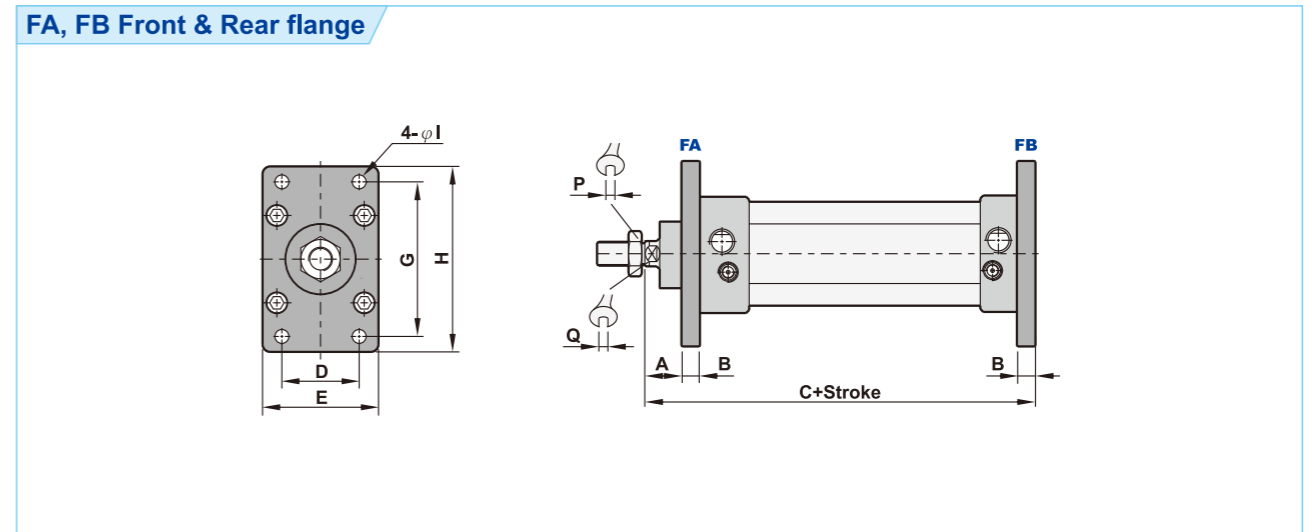


(Unit: mm)

Bore size	A	B	C	D	E	F	G	H	I	J	K	L2	M	N	O
φ 125	70	φ 25	119	90	60	90	26	135	70	94	124	160	20	φ 20	φ 14
φ 160	97	φ 30	152	115	88	126	25	171	90	118	156	180	25	φ 20	φ 14
φ 200	105	φ 30	167	135	90	130	31	185	90	122	162	184	30	φ 26	φ 18

Dimension of mounting parts

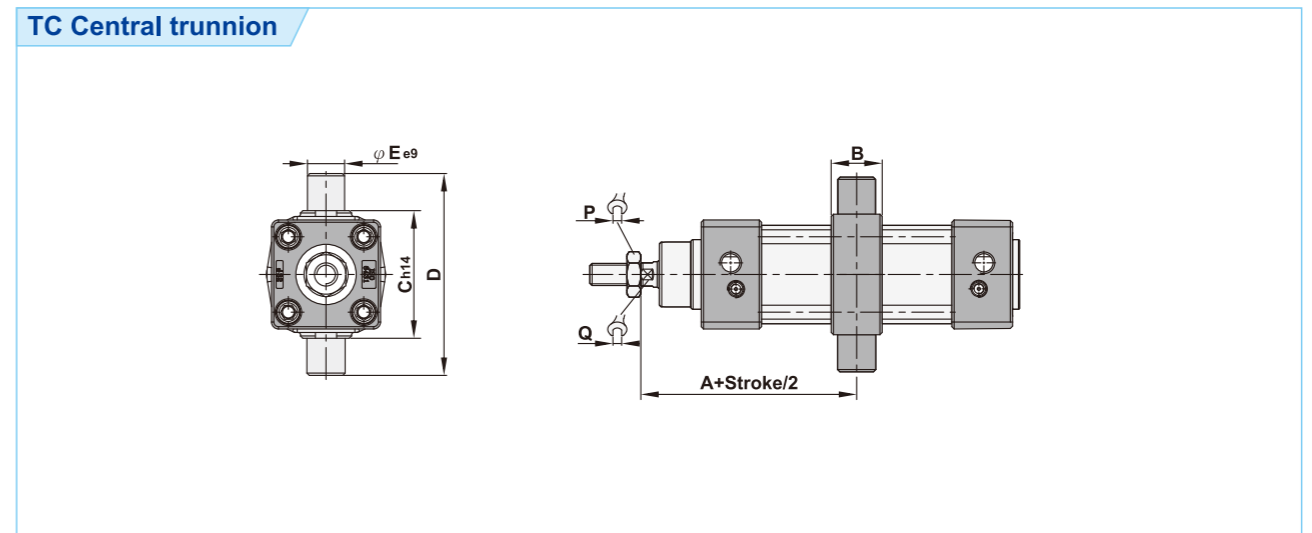
FA, FB Front & Rear flange



(Unit: mm)

Bore size	A	B	C	D	E	G	H	I	P	Q
φ 125	45	20	245	90	140	180	224	φ 16.5	40	27
φ 160	60	20	280	115	180	230	280	φ 18.5	50	36
φ 200	70	25	304	135	220	270	320	φ 24	50	36

TC Central trunnion

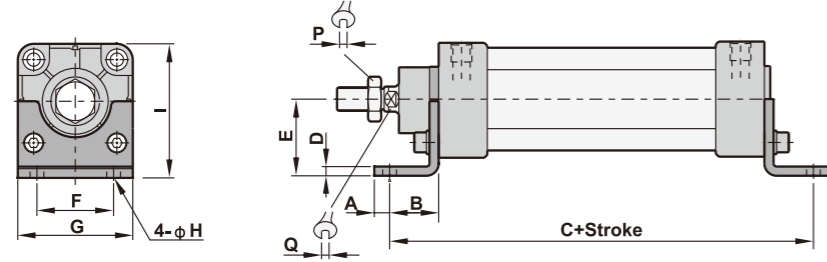


(Unit: mm)

Bore size	A	B	C	D	E	P	Q
φ 125	115	40	158	210	φ 25	40	27
φ 160	126	46	200	264	φ 32	50	36
φ 200	126	46	246	314	φ 32	50	36

Dimension of mounting parts

LB Foot mounting



(Unit: mm)

Bore size	A	B	C	D	E	F	G	H	I	P	Q
φ 125	20	45	250	8	90	90	140	φ 16.5	160	40	27
φ 160	20	60	300	8	115	115	180	φ 18.5	205	50	36
φ 200	30	70	324	9	135	135	220	φ 24	245	50	36

Stroke table

Bore size	Acting	Standard stroke(mm)	Max. Standard stroke(mm)
φ 125~ φ 200	Double acting	25 ~ 1500	2200

Note: Please contact our sales for non-standard stroke.

How to order Repair kit

ZGCIN	125
Repair kit for IC Cylinder	Bore size
ZGCIN (ICL)	125 : φ 125
ZGCINB (ICLD. ICLA. ICLB)	160 : φ 160
	200 : φ 200

Repair kit :

ZGCIN	
Description	Qty.
Rod seal	1
O-ring for cushion needle	2
O-ring for front/rear cover	2
Cushion	2
U-Piston seal	2

ZGCINB	
Description	Qty.
Rod seal	2
O-ring for cushion needle	2
O-ring for front/rear cover	2
Cushion	2
U-Piston seal	2

Memo...

Pneumatic Actuators

Standard

IC

ICE

ICL

TC

STC

