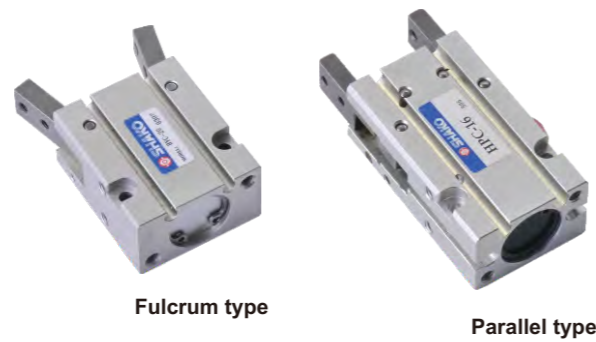


Features

1. The gripper open and close are controlled by pneumatic system.
2. Miniature design, space saving.
3. Sensor installation is available.



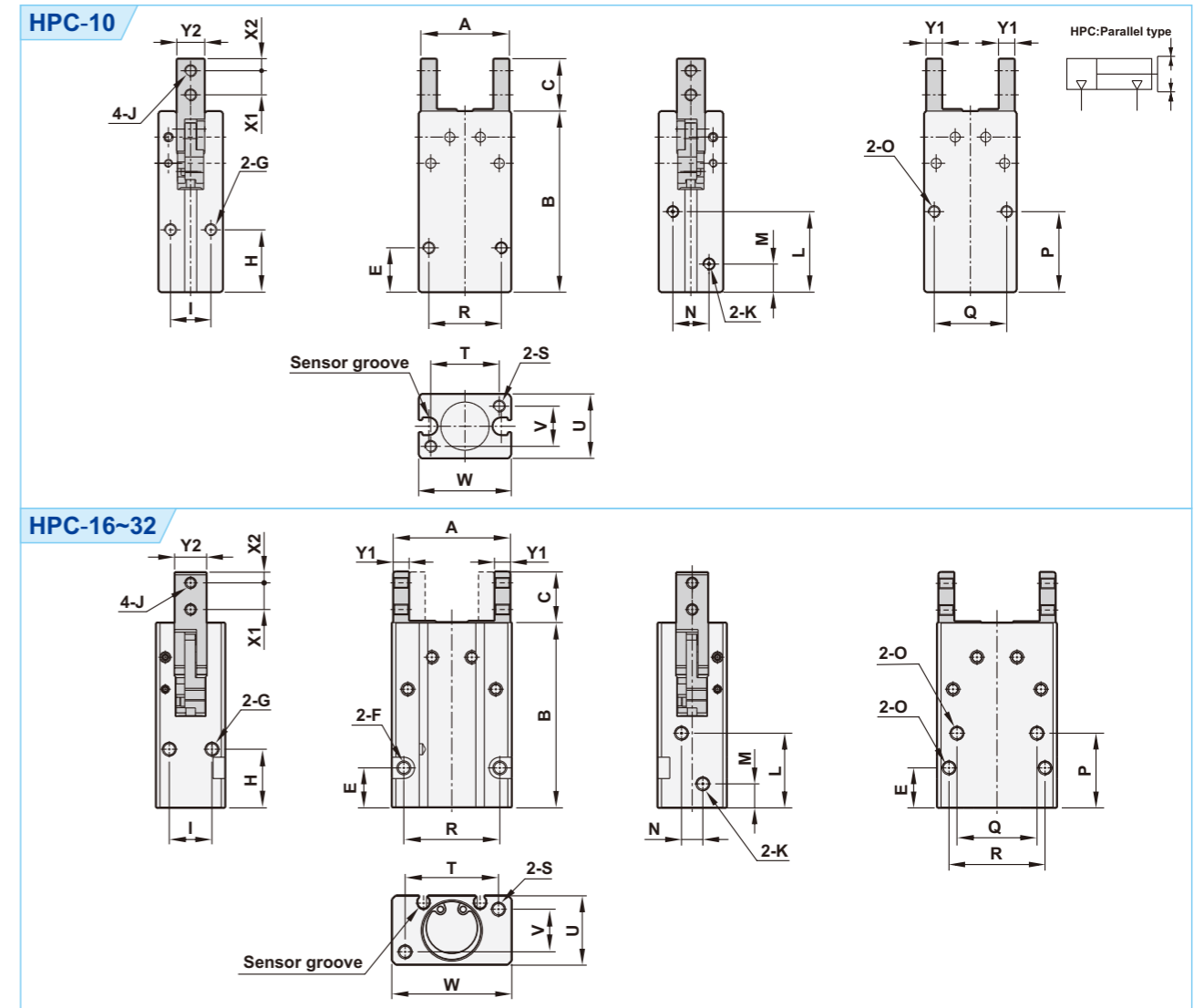
How to order

<b>HYC</b>	<b>32</b>	<b>—</b>	<b>SR</b>	<b>1</b>
<b>Mini gripper</b>	<b>Bore size</b>		<b>Sensor type</b>	<b>Number of sensor</b>
HPC: Parallel type	10 : φ10		Blank: W/O sensor	1 pc
HYC: Fulcrum type	16 : φ16		SR: Round type	2 pcs
	20 : φ20			
	25 : φ25			
	32 : φ32			
			SU: Square type	
			AL-07R/N/P	
			AL-16R/N/P	

Specifications

Bore size	φ 10	φ 16	φ 20	φ 25	φ 32
Port size	M3		M5		
Gripping gap distance (For HPC)	4mm	8mm	12mm	14mm	16mm
Gripping force (For HPC)	5N	17.6N	34.3N	58.8N	83.3N
Operating angle (For HYC)			-10° ~ +30°		
Fluid			Compressed air		
Acting			Double acting		
Operating pressure range			1.5 ~ 7 kgf/cm <sup>2</sup>		
Max. operating pressure			10.5 kgf/cm <sup>2</sup>		
Lubrication			Not required or few		
Body material			Aluminum alloy		
Magnet			Built-in		
Ambient temperature			0°C ~ 60°C		
Operating frequency			50 ~ 700 mm/Sec.		

Dimensions



(Unit: mm)

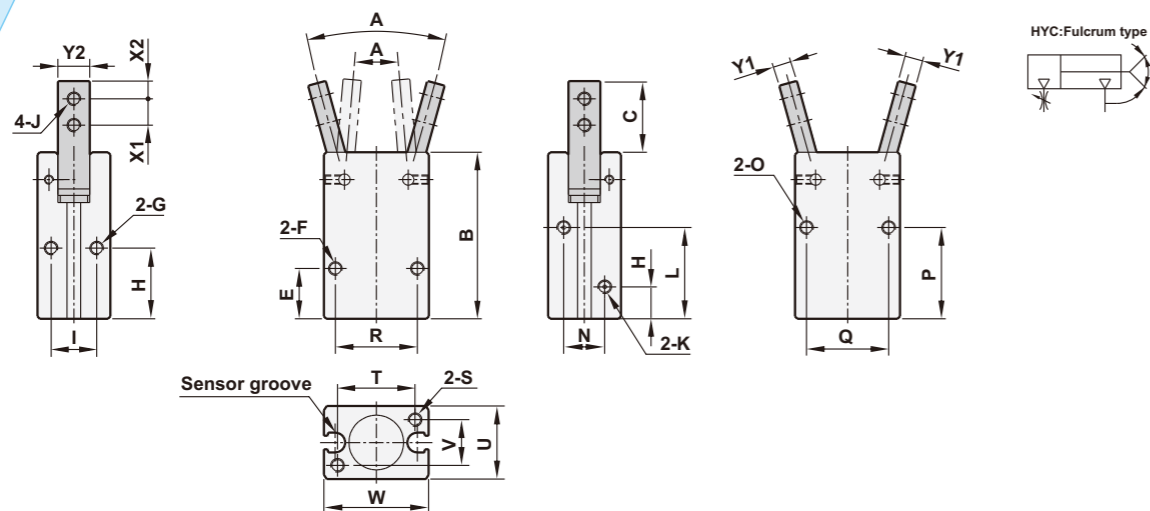
Model	A		B	C	E	F	G	H	I	J
	Open	Closed								
HPC-10	22	18	45	13	11	M3xP0.5xL8.0	M3xP0.5xDepth5.0	15.5	10	M3xP0.5 through
HPC-16	33	25	58.5	15	14	φ 3.4 through, φ 6 Counter bore x Depth3.5	M4xP0.7xDepth8.0	21	14	M3xP0.5 through
HPC-20	44	32	69.5	19	15	φ 4.3 through, φ 8 Counter bore x Depth4.6	M5xP0.8xDepth10.0	22	16	M4xP0.7 through
HPC-25	51	37	79.5	24	16	φ 5.3 through, φ 9.5 Counter bore x Depth5.5	M6xP1.0xDepth12.0	24.5	20	M5xP0.8 through
HPC-32	60	44	88	31	18	φ 5.3 through, φ 9.5 Counter bore x Depth5.5	M6xP1.0xDepth15.0	30	26	M6xP1.0 through

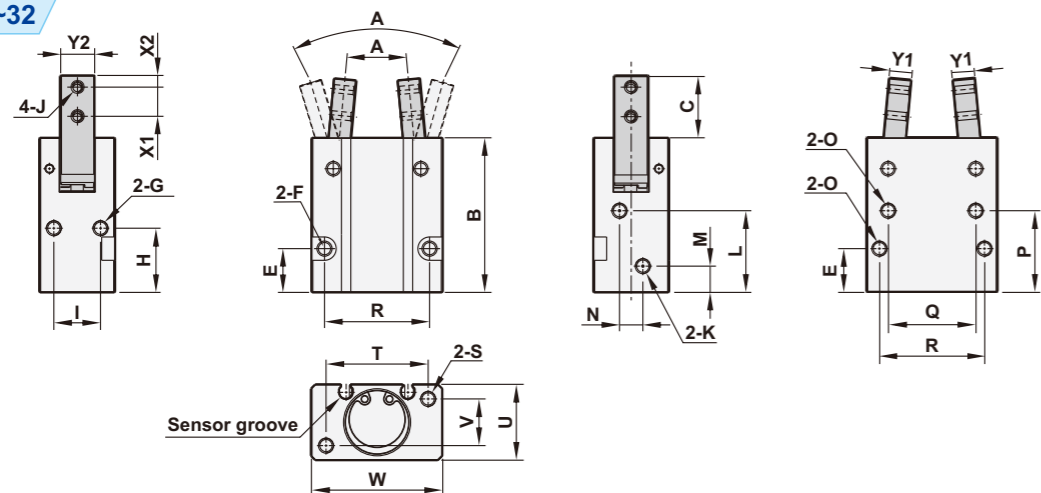
Model	K	L	M	N	O	P	Q	R	S	T	U	V	W	X1	X2	Y1	Y2
HPC-10	M3xP0.5	20	7	6	M3xP0.5xL8.0	20	18	18	M3xP0.5xL5.0	17	16	10	23	6	3	4	7
HPC-16	M5xP0.8	23	8	6	M4xP0.7xL8.0	25.5	24	28	M4xP0.7xL8.0	26	22	14	34	8	3	4	11
HPC-20	M5xP0.8	28	9	8	M5xP0.8xL10.0	28	30	36	M5xP0.8xL10.0	35	26	16	45	10	4	6	12
HPC-25	M5xP0.8	30.5	9.5	18	M6xP1.0xL12.0	31.5	36	40	M6xP1.0xL10.0	40	32	20	52	12	5	8	14
HPC-32	M5xP0.8	34	10	24	M6xP1.0xL15.0	37.5	44	50	M6xP1.0xL10.0	46	40	26	60	15	7	9	18

## Dimensions

### HYC-10



### HYC-16~32



(Unit: mm)

Model	A		B	C	E	F	G	H	I	J
	Open	Closed								
HYC-10	30°	-10°	36.5	15.7	11	M3xP0.5xL8.0	M3xP0.5xL5.0	15.5	10	M3xP0.5 through
HYC-16	30°	-10°	45.5	15.8	14	φ 3.4 through, φ 6 Counter bore x L3.5	M4xP0.7xL8.0	21	14	M3xP0.5 through
HYC-20	30°	-10°	53	22	15	φ 4.2 through, φ 8 Counter bore x L4.6	M5xP0.8xL10.0	22	16	M4xP0.7 through
HYC-25	30°	-10°	61	26	16	φ 5.3 through, φ 9.5 Counter bore x L5.5	M6xP1.0xL12.0	24.5	20	M5xP0.8 through
HYC-32	30°	-10°	68	30	18	φ 5.3 through, φ 9.5 Counter bore x L5.5	M6xP1.0xL15.0	30	26	M6xP1.0 through

Model	K	L	M	N	O	P	Q	R	S	T	U	V	W	X1	X2	Y1	Y2
HYC-10	M3xP0.5	20	7	9	M3xP0.5xL8.0	20	18	18	M3xP0.5xL8.0	17	16	10	23	6	3	4	7
HYC-16	M5xP0.8	23	8	6	M4xP0.7xL8.0	25.5	24	28	M4xP0.7xL8.0	26	22	14	34	8	3	6	9
HYC-20	M5xP0.8	28	9	8	M5xP0.8xL10.0	28	30	36	M5xP0.8xL10.0	35	26	16	45	10	4	7	12
HYC-25	M5xP0.8	30.5	9.5	18	M6xP1.0xL12.0	31.5	36	40	M6xP1.0xL10.0	40	32	20	52	12	5	9	14
HYC-32	M5xP0.8	34	10	24	M6xP1.0xL15.0	37.5	44	50	M6xP1.0xL10.0	46	40	26	60	14	6	10	18

## Theoretical force

Bore size	Piston area cm <sup>2</sup>	Operating pressure kgf/cm <sup>2</sup>					
		2	3	4	5	6	7
φ 10	0.79	1.58	2.37	3.16	3.95	4.74	5.53
φ 16	2.01	4.02	6.03	8.04	10.5	12.06	14.07
φ 20	3.14	6.28	9.42	12.56	15.7	18.84	21.98
φ 25	4.91	9.82	14.73	19.64	24.55	29.46	34.37
φ 32	8.04	16.08	24.12	32.16	40.2	48.24	56.28

## Mounting example

