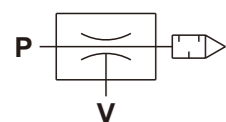


Symbol



Features

1. Port sizes: 1/8", 1/4", 3/8"
2. Durable and long life (except the silencer on exhaust port).

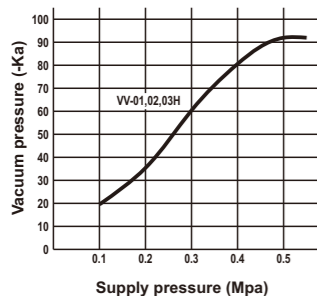


How to order

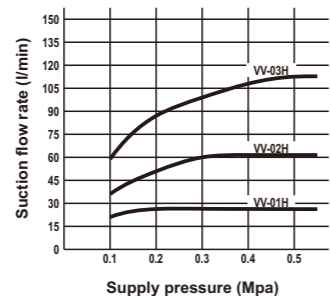
VV	-	01	N	H
	Port size	Thread	Standard type	
	01 : 1/8"	Blank: G		
	02 : 1/4"	N : NPT		
	03 : 3/8"	R : Rc		

Characteristics Table

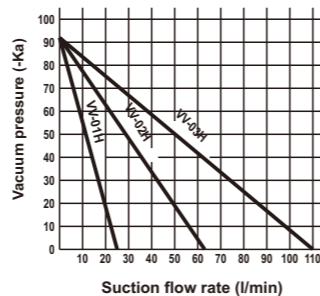
Vacuum pressure function



Max. Suction flow function



Vacuum function

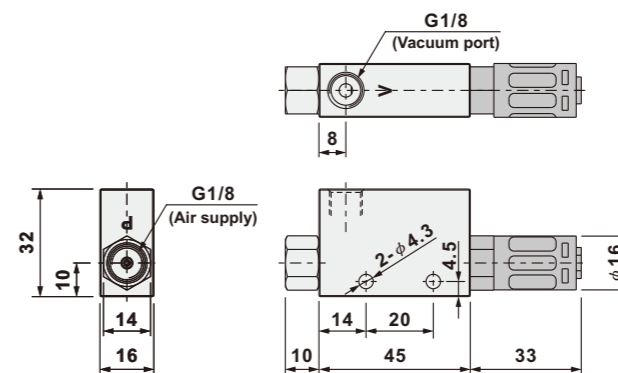


Specifications

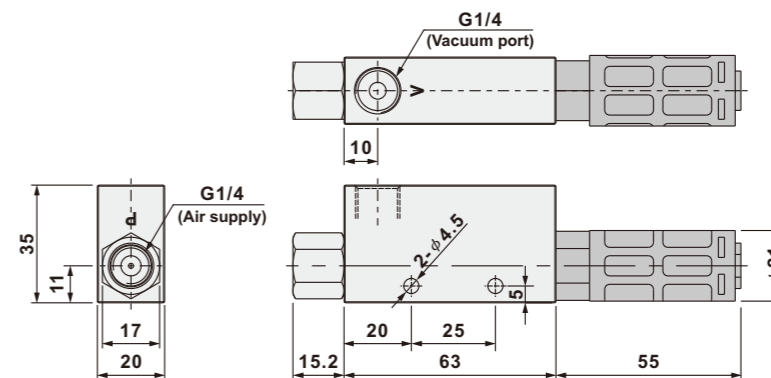
Model	VV-01H	VV-02H	VV-03H
Port size	1/8"	1/4"	3/8"
Body material		Aluminum alloy	
Fluid		Compressed air	
Ambient temperature		0°C ~ 60°C	
Working pressure		0.1 ~ 0.6Mpa	
Max. Vacuum degree		-91.8Kpa	
Nozzle diameter	φ 1.0	φ 1.5	φ 2.0
Air consumption (l/min)	50	120	210
Supply air pressure		0.5Mpa (5 kgf/cm ²)	
Net weight	72.1	138.5	368

Dimensions

VV-01H



VV-02H



VV-03H

