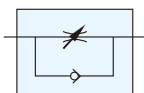


# Speed Control Valve

## Symbol



## Features

1. The valve provides best way to control piston speed of cylinder.
2. Non-return mechanism which allows full flow in one direction.

## How to order

<b>S</b>	<b>—</b>	<b>06</b>	<b>N</b>
Speed control valve	Port size	Thread	
	06: 3/4"	Blank: G	
	08: 1"	N : NPT	
		R : Rc	

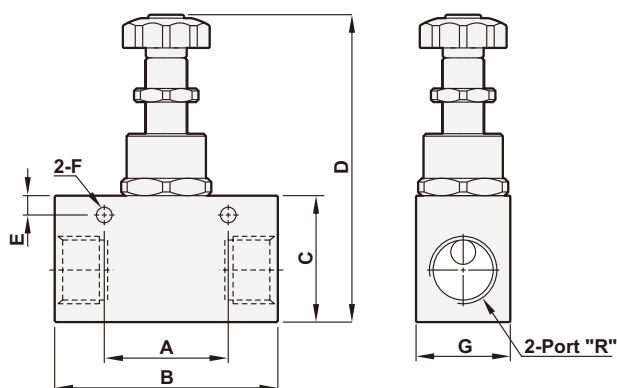


## Specifications

Model	S-06	S-08
Port size	3/4"	1"
Body material	Aluminum alloy	
Fluid	Compressed air	
Sectional area	43mm <sup>2</sup>	
Operating pressure range	0 ~ 9.9 kgf/cm <sup>2</sup>	
Proof pressure	10 kgf/cm <sup>2</sup>	
Ambient temperature	-10°C ~ 80°C	

## Dimensions

S-06, 08



Model	S-06	S-08
R	3/4"	1"
A	50	50
B	90	90
C	51	51
D	124	124
E	7.8	7.8
F	φ 6.3	φ 6.3
G	38	38