

PU Series 5/2 Way Pilot Solenoid Valve

15mm width

Features

1. Miniature and Compact size, 15mm width, large flow rate (0.25Cv).
2. Manual override design for easy test and operation.
3. Anodized aluminum body and strict quality control provide a long durability.
4. Quick acting, low starting pressure.



How to order

PU521	A	-	M5	-	S	2	D	L
5/2 Way	Valve type	Port size	Solenoid	Voltage	Coil type	Led		
	A: Body ported B: Base mounted	M5 : M5	S : Single solenoid D : Double solenoid	1 : 110VAC 2 : 220VAC 9 : 24VDC	Blank : Lead wire D : DIN	Blank : W/O LED L : W/I LED		

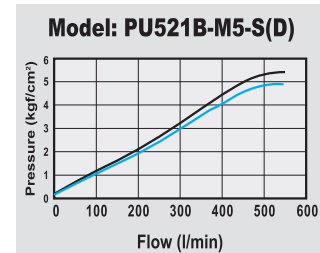
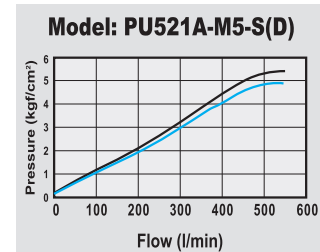
How to order manifold

MF521	A	-	M5	02
	Valve type	Port size	Stations	
	A: Body ported B: Base mounted	M5 : M5	02 : 2 Stations 03 : 3 Stations XX : XX Stations	

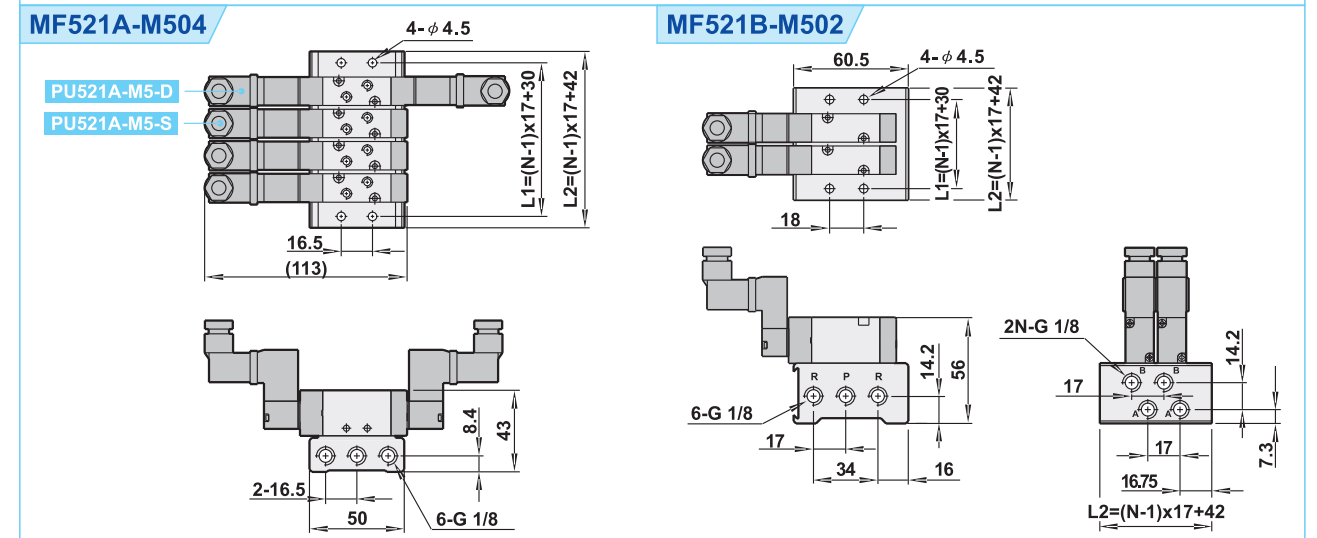
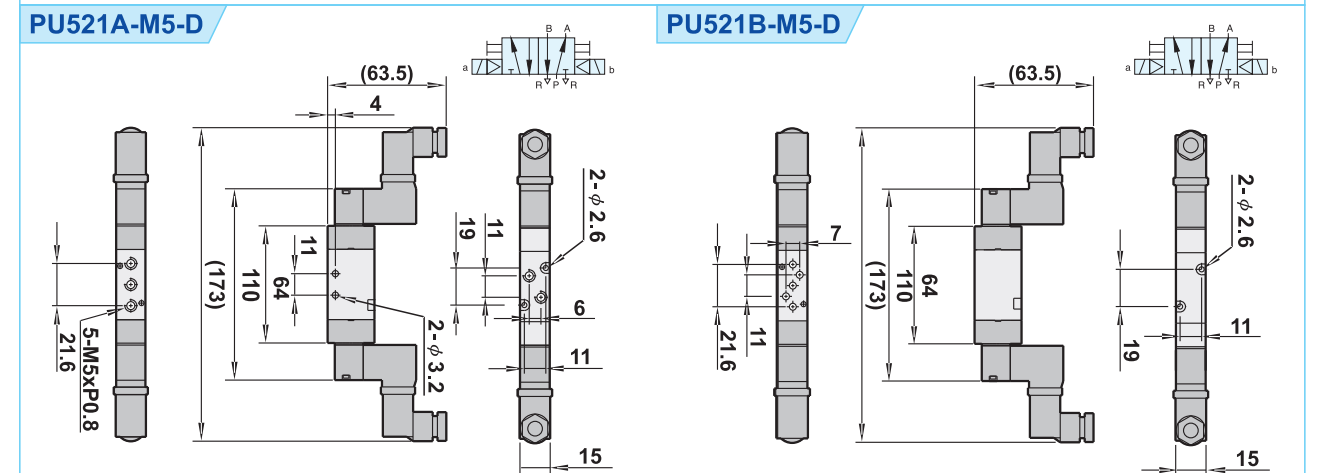
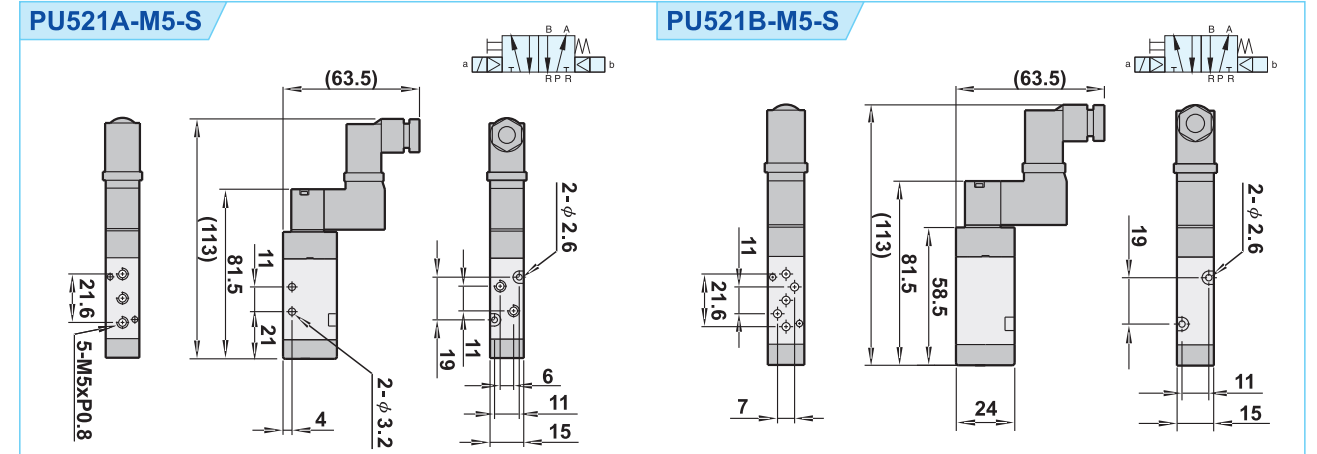
Specifications

Model	PU521A-M5-S(D)	PU521B-M5-S(D)
Port size	M5	
Body material	Aluminum alloy	
Fluid	Compressed air	
Acting	Internal pilot	
Operating pressure range	1~8 kgf/cm ²	
Proof pressure	9 kgf/cm ²	
Effective area	3.5mm ²	
Cycle rate	120 cpm	
Ambient temperature	-10℃ ~ 60℃	
Duty cycle	100% ED	
Coil type	Lead wire(Standard), DIN(Optional)	
Protection class	IP65 (DIN 40 050)	
Insulation class	F	
Voltage tolerance	±10%	
Standard voltage	220VAC, 110VAC, 24VDC (The other voltage is optional)	
Net weight	96g	106g

Flow chart



Dimensions



Number of station (N)	2	3	4	5	6	7	8	9	10
L1	47	64	81	98	115	132	149	166	183
L2	59	76	93	110	127	144	161	178	195