

Features

1. Medium size, 26mm width, large flow rate.
2. Lockable manual override for easy operation.
3. Anodized aluminum body and strict quality control provide a long durability.
4. External pilot is available for vacuum equipment.
5. Suitable for manifold part no. MF520-02-XX.
6. Coil nut is available, please refer to page 5-1.

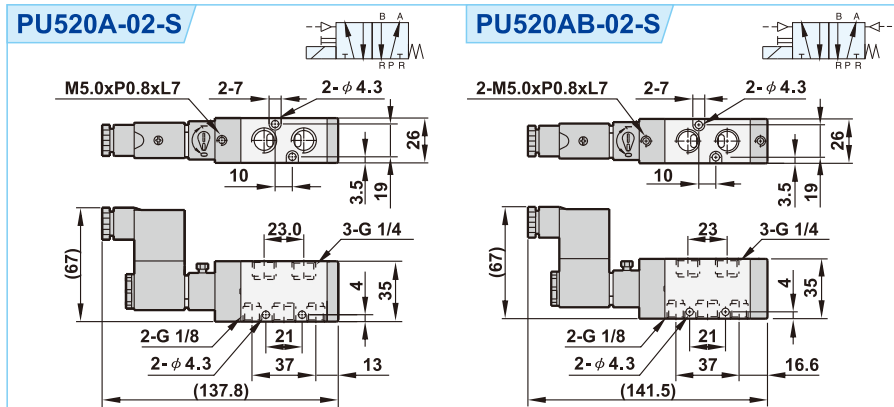


How to order

5/2 Way	Acting	Port size	Thread	Solenoid	Voltage	Led	Coil type
	A : Front pilot AB : Front & Rear pilot	01 : 1/8" (Option) 02 : 1/4"	Blank : G N : NPT R : Rc	S : Single solenoid	1 : 110VAC 2 : 220VAC 6 : 24VAC 7 : 12VDC 9 : 24VDC	Blank : W/O LED L : W/I LED	Blank : DIN F : Lead wire E1 : EX-proof 22mm width E2 : EX-proof 30mm width E3 : EX-proof CSA standard

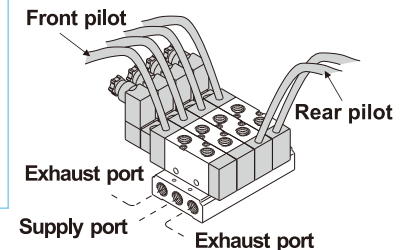
Dimensions

* Please refer to page P5-10 for the details of ex-proof coil.



5/2 way external pilot solenoid valve

- * Pilot specifications:
 1. Front pilot, 2. Rear pilot
- * Orifice: M5
- * Manifold part number: MF520-02XX
Inlet pilot at least 1.5kg higher than external pilot pressure.



Specifications

Model	PU520A-02-S	PU520AB-02-S
Port size	1/4", Pilot port. (M5)	
Body material	Aluminum alloy	
Fluid	Compressed air	
Effective area	18mm ²	
Acting	External pilot (1.5 ~ 8 kgf/cm ²)	
Operating pressure range	0 ~ 8 kgf/cm ²	
Proof pressure	9.9 kgf/cm ²	
Ambient temperature	-10°C ~ 50°C	
Duty cycle	100% ED	
Coil type	DIN (Standard)	
Protection class	IP65 (DIN 40 050)	
Insulation class	F	
Voltage tolerance	± 10%	
Standard voltage	220VAC, 110VAC, 24VDC(The other voltage is optional)	
Net weight	240g	260g

Flow chart

