

# MSV Series

## 3/2 Way Mechanical Valve

### ■ Features

1. To be installed in moving devices like air cylinder, slide, etc.
2. Various operating styles.
3. Panel bore size Ø30 (Option Ø25).



### ■ How to order

MSV9832 - 02

N

R

G

3/2 Way	Port size	Thread	Operator	Operator color
	01: 1/8" (Option) 02: 1/4"	Blank : G N : NPT R : Rc	R : Roller TB : Twist selector LB : Long twist selector PB : Palm button (Mushroom)	Blank : Standard color G : Green B : Black Y : Yellow

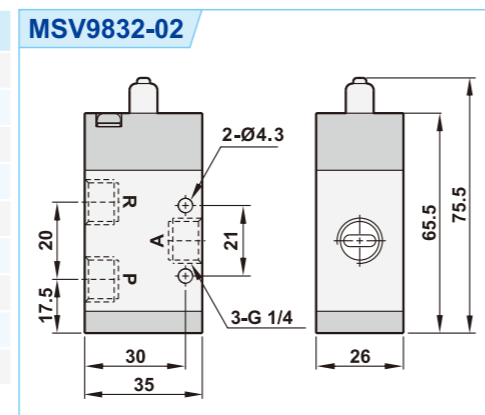
### ■ Operator color

Operator	Standard	Option		
TB/LB	Black	Red	---	---
PB/PP/PPL	Red	Black	Green	Yellow
EB	Red	---	---	---

### ■ Specifications

Model	MSV9832-02
Port size	1/4" [Option 1/8"]
Body material	Aluminum alloy
Panel dimension	30mm (Option:25mm)
Fluid	Compressed air
Sectional area	18mm <sup>2</sup>
Operating pressure range	0 ~ 9 kgf/cm <sup>2</sup>
Proof pressure	10 kgf/cm <sup>2</sup>
Ambient temperature	-10°C ~ 60°C
Standard operator color	Black: TB, LB; Red: PB, PP, PPL, EB

### ■ Dimensions



### ■ Dimensions

