

■ Features

- To be installed in moving devices like air cylinder, slide, etc.
- Various operating styles.
- Panel bore size $\phi 30$
(Option $\phi 25$).



■ How to order

MSV8652 - 02	N	R	G
5/2 Way	Port size	Thread	Operator
	01 : 1/8"	Blank : G	R : Roller
	02 : 1/4"	N : NPT	TB : Twist selector
		R : Rc	LB : Long twist selector
			PP : Palm button (Flush)
			PPL : Palm button (Extended)
			EB : Latching button
			PH : Push-pull button
			Blank : Standard color
			G : Green
			B : Black
			Y : Yellow

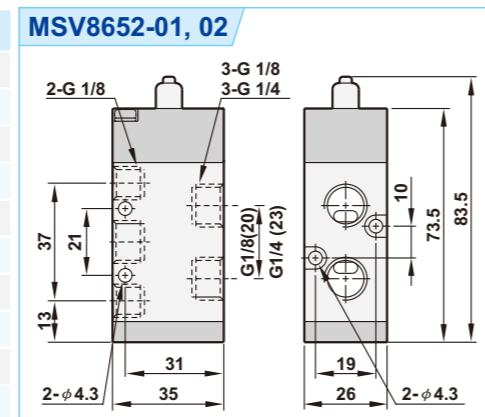
■ Operator color

Operator	Standard	Option		
TB/LB	Black	Red	---	---
PB/PP/PPL	Red	Black	Green	Yellow
EB	Red	---	---	---
PH	Black	Red	---	---

■ Specifications

Model	MSV8652-01	MSV8652-02
Port size	1/8"	1/4"
Body material	Aluminum alloy	
Panel dimension	30mm (Option:25mm)	
Fluid	Compressed air	
Sectional area	14mm ²	18mm ²
Operating pressure range	0 ~ 9 kgf/cm ²	
Proof pressure	10 kgf/cm ²	
Ambient temperature	-10°C ~ 60°C	
Standard operator color	Black: TB, LB; Red: PB, PP, PPL, EB	
Optional color	Green, Black, Yellow for PB, PP, PPL	

■ Dimensions



■ Dimensions

