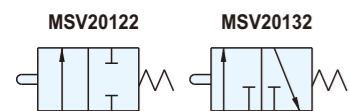


### Symbol



### Features

1. Miniature and compact size.
2. Quick response with large flow rate.



### How to order

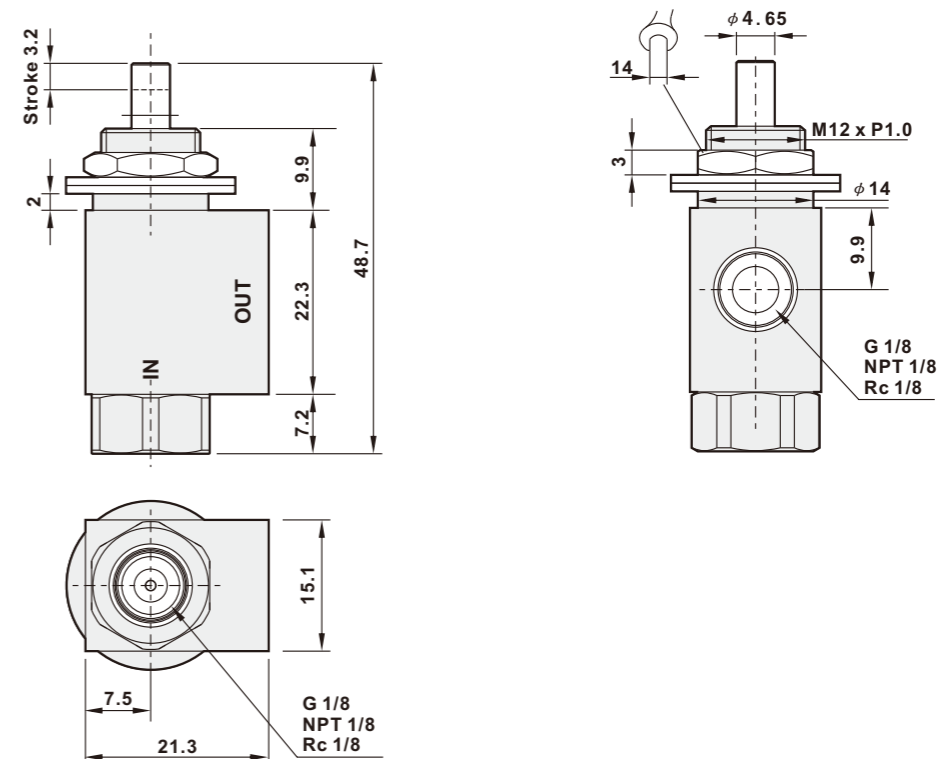
<b>MSV20122</b> - <b>01</b> <b>N</b>		
<b>MSV20122</b> : 2/2 Way	<b>Port size</b>	<b>Thread</b>
<b>MSV20132</b> : 3/2 Way	<b>01</b> : 1/8"	<b>Blank</b> : G <b>N</b> : NPT <b>R</b> : Rc

### Specifications

Model	MSV20122-01	MSV20132-01
Port size	1/8"	
Body material	Forged Brass	
Panel diameter	12mm	
Fluid	Compressed air	
Effective area	8.5mm <sup>2</sup>	
Operating pressure range	0 ~ 9 kgf/cm <sup>2</sup>	
Proof pressure	10kgf/cm <sup>2</sup>	
Ambient temperature	-10°C ~ 60°C	
Net weight	70g	
Force for full stem actuation	53 Oz.nominal	

### Dimensions

#### MSV20122



#### MSV20132

