

# E-SCY Series

## ■ Features

1. Maximum reduction of power consumption is up to 75%.
2. Effectively reduce the temperature rise of coil and extend service life of solenoid valve.
3. Medium size, 30mm width, large flow rate.
4. Lockable manual override for easy operation.
5. Stainless steel body with special process in manufacturing and strict quality control ensure long life of the product



## ■ How to order

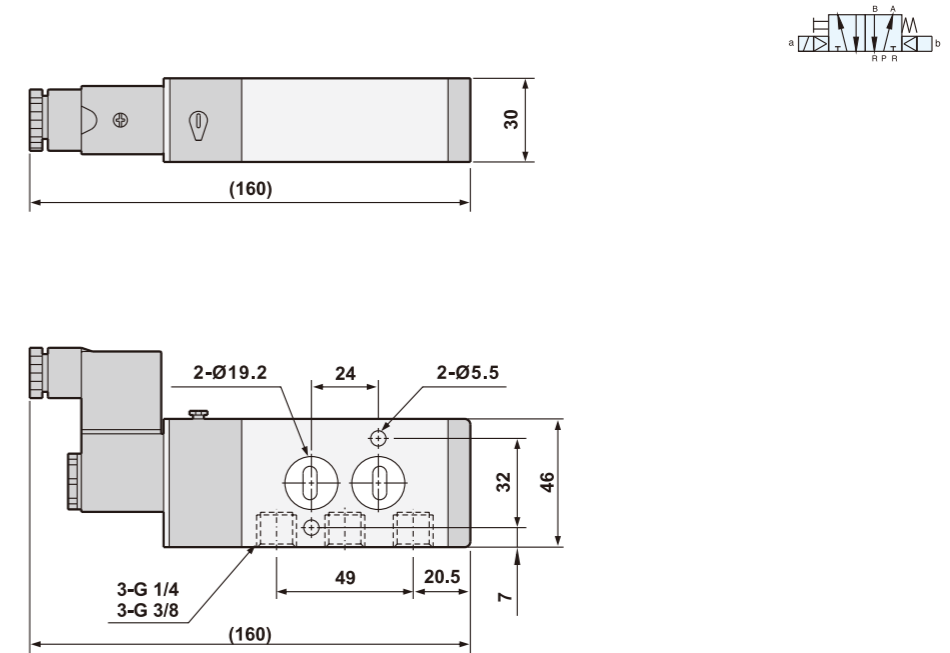
<b>E-SCY520</b>	<b>-</b>	<b>02</b>	<b>N</b>	<b>-</b>	<b>S</b>	<b>7</b>
5/2 Way	Port size	Thread	Solenoid	Voltage		
	02 :1/4"	Blank :G	S :Single solenoid	7 :12VDC		
	03 :3/8"	N :NPT	D :Double solenoid	9 :24VDC		
		R :Rc				

## ■ Specifications

Model	E-SCY520-02-S	E-SCY520-02-D	E-SCY520-03-S	E-SCY520-03-D
Port size	1/4"		3/8"	
Body material	SUS316			
Fluid	Compressed air			
Effective area	35mm <sup>2</sup>			
Acting	Internal pilot			
Operating pressure range	1.5~8 kgf/cm <sup>2</sup>			
Proof pressure	9.9 kgf/cm <sup>2</sup>			
Ambient temperature	-10°C ~ 60°C			
Duty cycle	100% ED			
Coil type	DIN (Standard)			
Protection class	IP65 (DIN 40 050)			
Insulation class	F			
Voltage tolerance	±10%			
Standard Voltage	120VDC, 24VDC			
Net weigh	420.5g	503.6g	412g	495g

## ■ Dimensions

### E-SCY520-02,03-S



### E-SCY520-02,03-D

