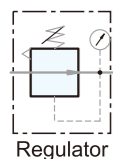


Symbol



Features

1. Large flow rate (Max. 30000 l/min)
2. Aluminum alloy body, light weight.
3. Pilot regulator is available for remote control.



How to order

Regulator	Port size	Thread
UR : Regulator	14 : 1 1/2"	Blank : G
UAR : Pilot regulator	20 : 2"	N : NPT
		R : Rc

Please contact our sales for non-relieving type.

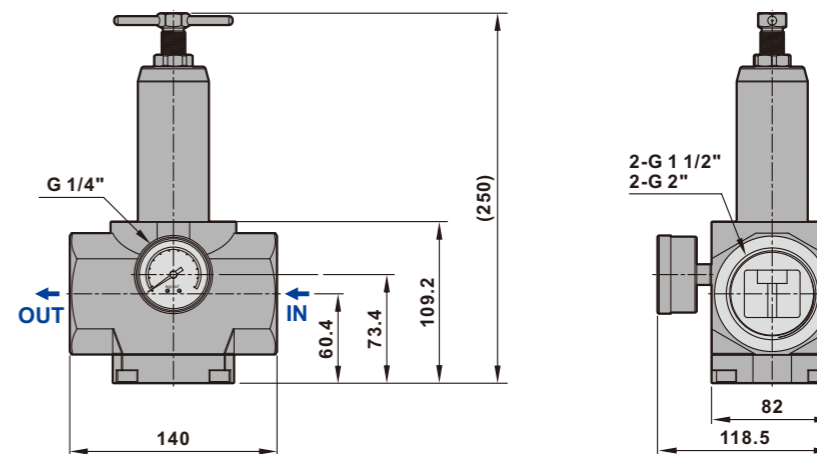
*For non-relieving type, the secondary pressure is not allowed to be exhausted when it is higher than setting pressure.

Specifications

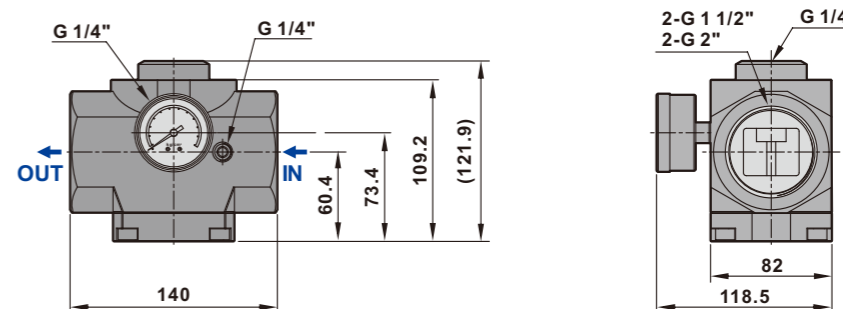
Model	UR-14	UR-20	UAR-14	UAR-20
Port size	1 1/2"	2"	1 1/2"	2"
Fluid	Compressed air			
Regulator construction	Piston			
Operating pressure range	0 ~ 8 kgf/cm ²			
Max. inlet pressure	15 kgf/cm ²			
Max. flow rate l/min (ANR)	30000 l/min (input 7 kgf/cm ² output 6 kgf/cm ²)			
Ambient temperature	-10°C ~ 60°C			
Net weight	2.8 kg	2.5 kg	2.2 kg	2.0 kg
Accessories	Pressure gauge, plug			

Dimensions

UR-14, 20



UAR-14, 20



Installation

These lines can be virtually any distance from remote regulator.

