

Symbol



Features

1. UCMF series effectively removes oil, water, carbon and particle.
2. With 0.01 μ m glass fiber filter element.
3. High quality control ensures stable running and long life.
4. Convenient to see air quality from pressure indicator, prevent the filter element from clogging.



Note: Please install air filter UF series upstream to extend life of filter element.

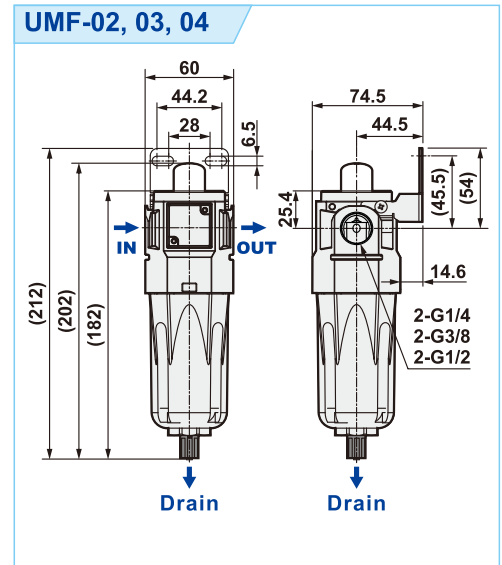
How to order

UCMF -	02	N	K	H	B	A
Coalescing Filter	Port size	Thread	Filtration	Drain	Mounting	Bowl
	02 : 1/4" 03 : 3/8" 04 : 1/2"	Blank : G N : NPT R : Rc	Blank : 0.01 μ m L : 0.1 μ m K : 0.01 μ m Activated charcoal filter element	Blank : Semi-auto drain H : Manual drain	Blank : W/O bracket B : W/I bracket	Blank : Standard bowl A : Anti-acid & alkali bowl AL : Aluminum bowl

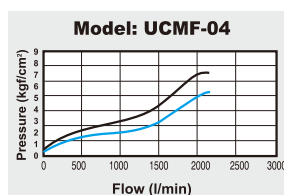
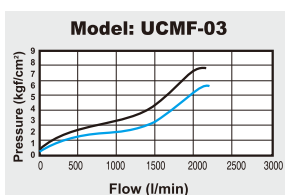
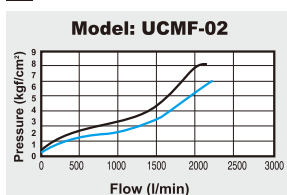
Specifications

Model	UCMF-02	UCMF-03	UCMF-04
Port size	1/4"	3/8"	1/2"
Fluid	Compressed air		
Body material	Aluminum die-cast		
Bowl material	Polycarbonate (Standard), Anti-acid & alkali bowl (Option), Aluminum bowl (Option)		
Filtration	0.01 μ m		
Operating pressure range	0.5 ~ 9.9 kgf/cm ²		
Proof pressure (Standard bowl)	15 kgf/cm ²		
Max. flow rate l/min(ANR)	2050	2100	2150
Ambient temperature	-10 $^{\circ}$ C ~ 60 $^{\circ}$ C		
Filter bowl capacity	65cc		
Standard drain	Semi-auto drain (Drains below 0.5kgf/cm ²)		
Net weight	600g		
Option	Mounting bracket set		

Dimensions



Flow chart



Note:

X axis: Flow (l/min)
Y axis: Pressure (kgf/cm²)
Blue line (P0) = Outlet pressure
Black line (P1) = Inlet pressure
P1-P0 = Pressure range