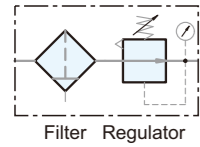


Symbol



Features

1. Remove water and particle effectively.
2. 40µm and 5µm filter element are easily interchangeable and replaceable.
3. Accurate and easy pressure setting.



How to order

UCFR - 02	N	C	G	H	A	
Filter Regulator	Port size	Thread	Filtration	Gauge type	Drain	Bowl
02 : 1/4"	Blank : G	PE	Blank : Square	Blank : Semi-auto drain	Blank : Standard bowl	
03 : 3/8"	N : NPT	Blank : 5µm	G : Circle	H : Manual drain	A : Anti-acid & alkali bowl	
04 : 1/2"	R : Rc	C : 40µm		D : Auto drain	AL : Aluminum bowl	
		Sintered brass				
		S : 5µm				
		T : 40µm				

Please contact our sales for non-relieving type.

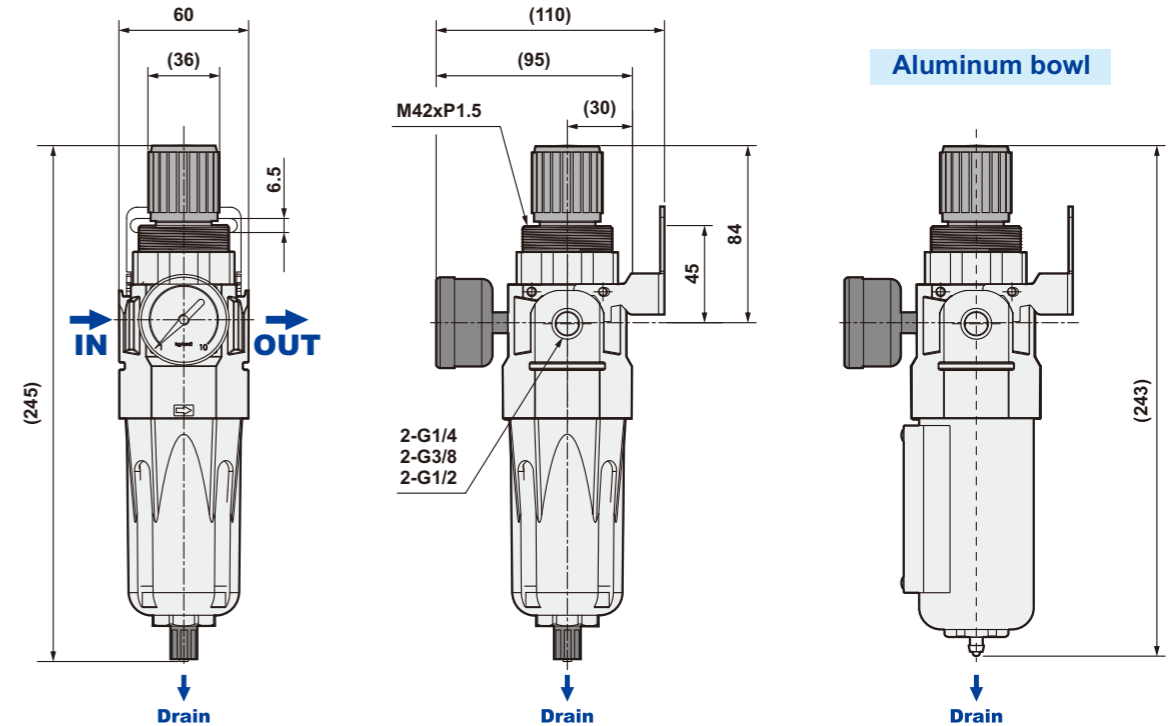
*For non-relieving type, the secondary pressure is not allowed to be exhausted when it is higher than setting pressure.

Specifications

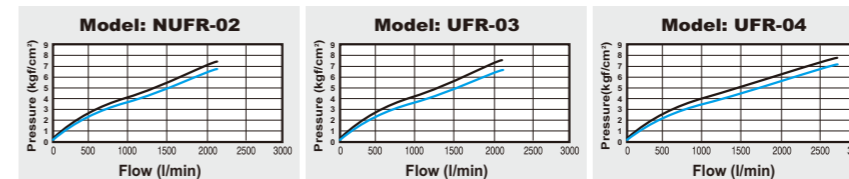
Model	UCFR-02	UCFR-03	UCFR-04
Port size	1/4"	3/8"	1/2"
Fluid	Compressed air		
Regulator construction	Piston		
Body material	Aluminum die-cast		
Bowl material	Polycarbonate (Standard), Anti-acid & alkali bowl (Option), Aluminum bowl (Option)		
Filtration	PE: 5µm (Standard), 40µm (Option); Sintered brass (Option): 5µm, 40µm		
Operating pressure range	0.5 ~ 10 kgf/cm ²		
Max. inlet pressure	15 kgf/cm ²		
Max. flow rate l/min (ANR) 40µm	2080	2100	2600
Ambient temperature	-10℃ ~ 60℃		
Filter bowl capacity	105cc		
Standard drain	Semi-auto drain (Drains below 0.5kgf/cm ²)		
Net weight	810g (Al bowl 1110g)		
Accessories	Mounting bracket set, Plug		
Option	Mounting nut		

Dimensions

UCFR-02, 03, 04



Flow chart



Note:

- X axis: Flow (l/min)
- Y axis: Pressure (kgf/cm²)
- Blue line (P0)= Outlet pressure
- Black line (P1)= Inlet pressure
- P1-P0= Pressure range