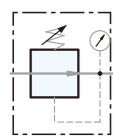


Symbol



Regulator

Features

1. Accurate and easy pressure setting.
2. Panel mounting is available.

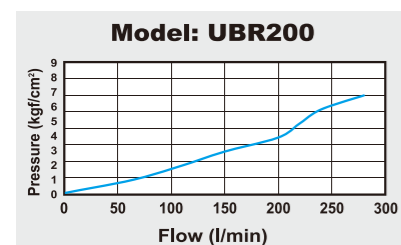
How to order

UBR200	02	N	B	G
Miniature Water Regulator	Port size	Thread	Mounting bracket	Pressure gauge
	01 : 1/8" 02 : 1/4"	Blank : G N : NPT R : Rc	Blank : W/O bracket B : W/I bracket	Blank : W/O gauge G : W/I gauge

Specifications

Model	UBR200-01	UBR200-02
Port size	1/8"	1/4"
Fluid	Water	
Regulator construction	Piston	
Body material	Brass	
Operating pressure range	0.5 ~ 7 kgf/cm ²	
Max. inlet pressure	10 kgf/cm ²	
Max. flow rate l/min	280	
Ambient temperature	-10°C ~ 60°C	
Net weight	310g	
Accessories	Plug	
Option	Pressure gauge, Mounting bracket set	

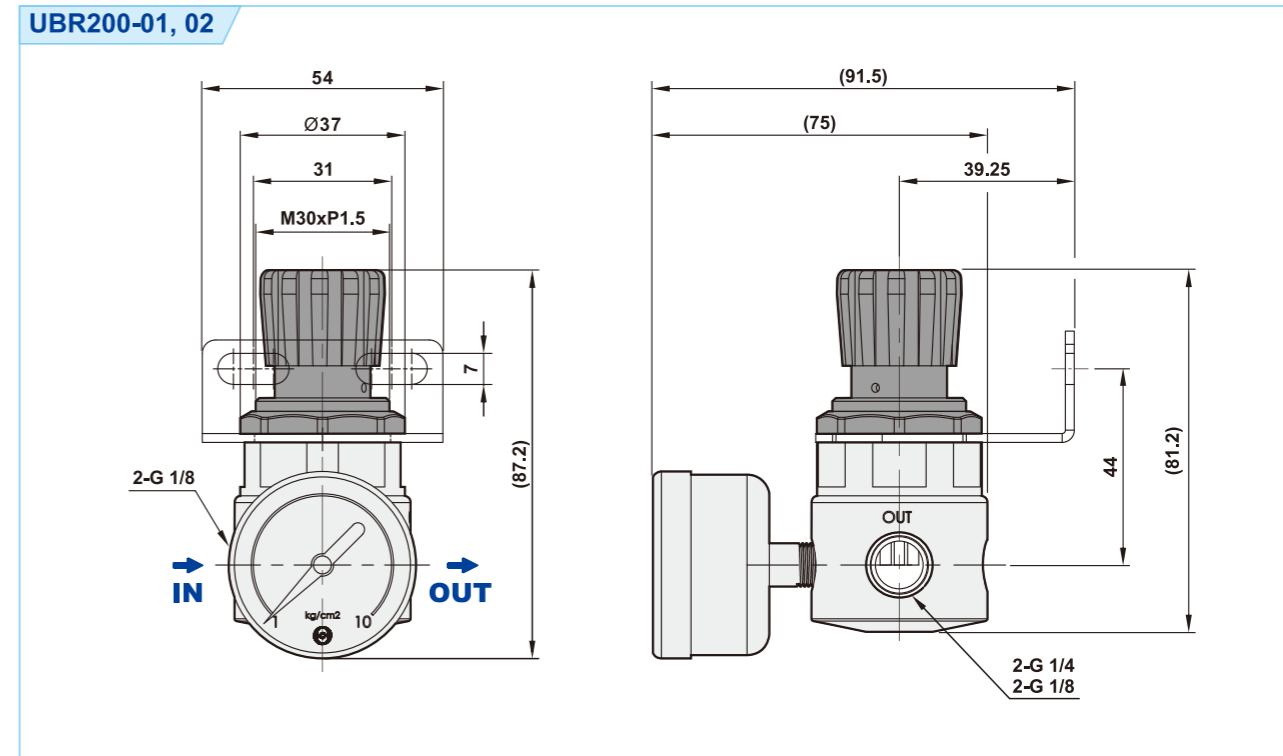
Flow chart



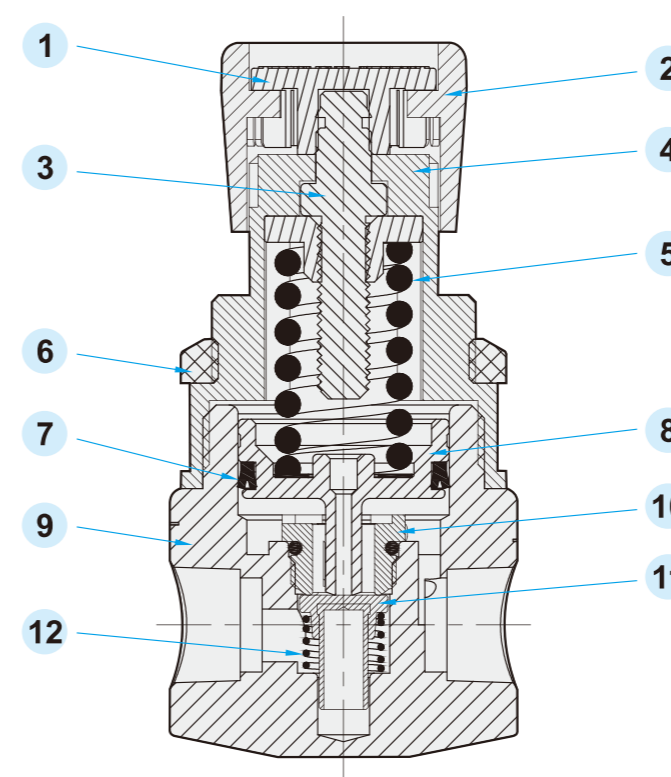
Note:

X axis: Flow (l/min)
Y axis: Pressure (kgf/cm²)
Blue line: Outlet pressure

Dimensions



Construction



No.	Description	Material
1	Regulator dome	NY
2	Regulator knob	NY
3	Pressure regulating screw	Fe+Ni
4	Regulator base	NY
5	Spring	SUS
6	Lock nut	NY
7	U type seal	EPDM
8	Piston	POM
9	Body	Cu
10	Positioning nut	POM
11	Regulator stem	EPDM+Cu
12	Spring	SUS