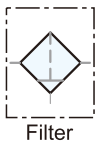


Symbol



Features

1. Remove water and particle effectively.
2. 40µm and 5µm filter element are easily interchangeable and replaceable.



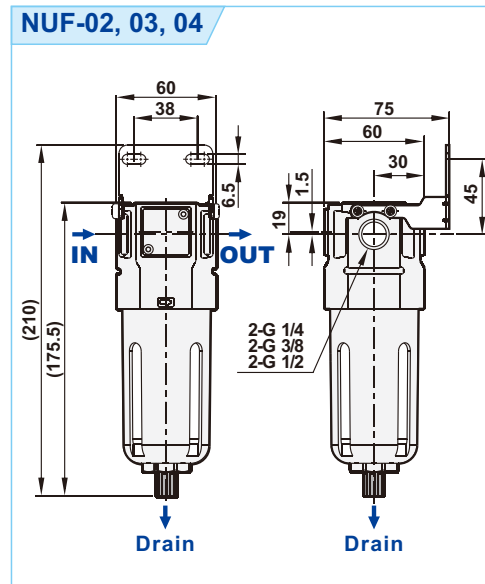
How to order

Filter	Port size	Thread	Filtration	Drain	Bowl
	02 : 1/4"	Blank : G	PE	Blank : Semi-auto drain	Blank : Standard bowl
	03 : 3/8"	N : NPT	Blank : 5µm	H : Manual drain	A : Anti-acid & alkali bowl
	04 : 1/2"	R : Rc	C : 40µm	D : Auto drain	AL : Aluminum bowl
			Sintered brass		
			S : 5µm		
			T : 40µm		

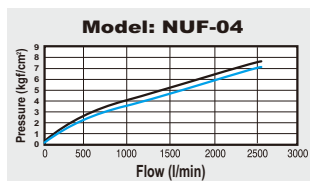
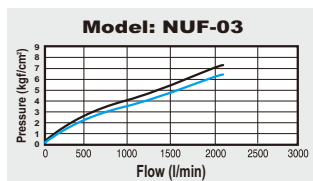
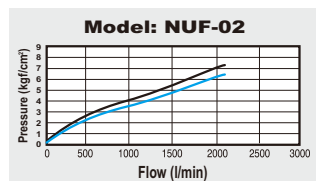
Specifications

Model	NUF-02	NUF-03	NUF-04
Port size	1/4"	3/8"	1/2"
Fluid	Compressed air		
Body material	Aluminum die-cast		
Bowl material	Polycarbonate (Standard), Anti-acid & alkali bowl (Option), Aluminum bowl (Option)		
Filtration	PE: 5µm (Standard), 40µm (Option); Sintered brass (Option): 5µm, 40µm		
Operating pressure range	0.5 ~ 9.9 kgf/cm ²		
Proof pressure (Standard bowl)	15 kgf/cm ²		
Max. flow rate l/min (ANR)	2440	2450	3030
Ambient temperature	-10°C ~ 60°C		
Filter bowl capacity	105cc		
Standard drain	Semi-auto drain (Drains below 0.5kgf/cm ²)		
Net weight	480g (W/I Aluminum bowl, 700g)		
Accessories	Mounting nut set		

Dimensions



Flow chart



Note:

- X axis: Flow (l/min)
- Y axis: Pressure (kgf/cm²)
- Blue line (P0) = Outlet pressure
- Black line (P1) = Inlet pressure
- P1-P0 = Pressure range