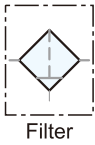


Miniature Filter

Symbol



Features

1. Remove water and particle effectively.
2. Compact size with effective air service.
3. 40µm and 5µm filter element are easily interchangeable and replaceable.



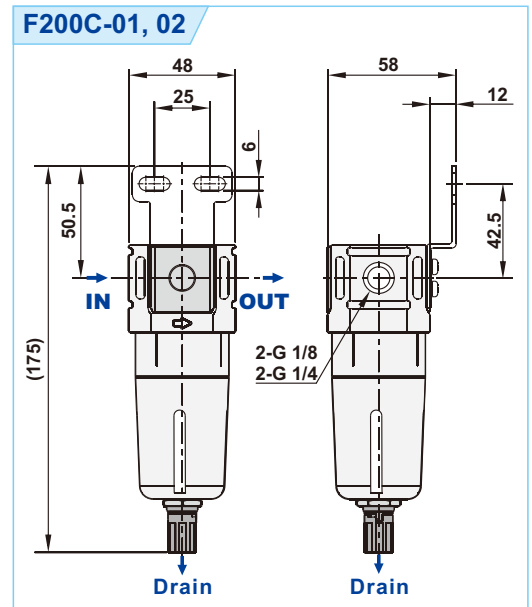
How to order

F200C	—	O2	N	C	H	B
Miniature Filter	Port size	Thread	Filtration	Drain	Mounting bracket	
	01 : 1/8"(option) 02 : 1/4"	Blank :G N :NPT R :Rc	PE Blank :5µm C :40µm Sintered brass S :5µm T :40µm	Blank :Semi-auto drain H :Manual drain D :Auto drain	Blank :W/O bracket B :W/I bracket	

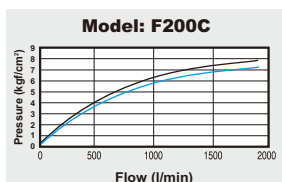
Specifications

Model	F200C-01	F200C-02
Port size	1/8" (option)	1/4"
Fluid	Compressed air	
Body material	Aluminum die-cast	
Bowl material	Polycarbonate (Standard)	
Filtration	PE: 5µm (Standard), 40µm (Option); Sintered brass(Option):5µm, 40µm	
Operating pressure range	0.5 ~ 9.9 kgf/cm ²	
Proof pressure	12 kgf/cm ²	
Max. flow rate l/min (ANR)	1900	
Ambient temperature	-10°C ~ 60°C	
Filter bowl capacity	40cc	
Standard drain	Semi-auto drain (Drains below 0.5kgf/cm ²)	
Net weight	245g	
Option	Mounting bracket set	

Dimensions



Flow chart



Note:

- X axis: Flow (l/min)
- Y axis: Pressure (kgf/cm²)
- Blue line (P0) = Outlet pressure
- Black line (P1) = Inlet pressure
- P1-P0= Pressure range