

Silencer EN Series

Thank you for supporting SHAKO products. The following product specifications will be changed. If it causes you any inconvenience, thank you for your understanding and cooperation.

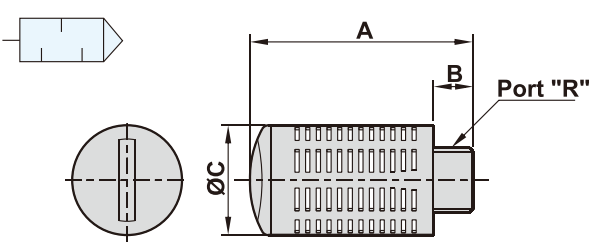
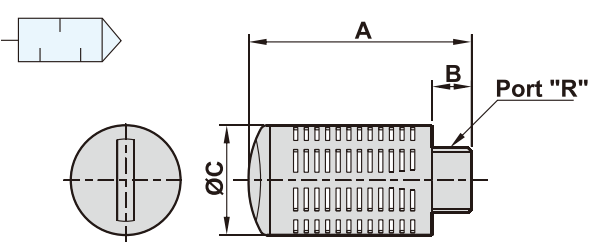
Noticed date: 21-MAY-2026

Affected products: Silencer EN Series.

Reason for change: Updating dimensions of silencer and It will not affect product performance.

Change implementation date: Effective immediately.

Change details

Before the engineering change					After the engineering change				
									
Model	R	A	B	C	Model	R	A	B	C
EN-01	PT 1/8"	33	6	16	EN-01M	PT 1/8"	33	6	12
EN-02	PT 1/4"	42.2	8	20	EN-01	PT 1/8"	33	6	16
EN-03	PT 3/8"	56.8	10	24	EN-02	PT 1/4"	43	8	19
EN-04	PT 1/2"	56.8	10	24	EN-03	PT 3/8"	57	10	24
EN-06	PT 3/4"	85	14	34	EN-04	PT 1/2"	57	10	24
EN-08	PT 1"	100	19	41	EN-06	PT 3/4"	114	18	48.5
					EN-08	PT 1"	114	18	48.5