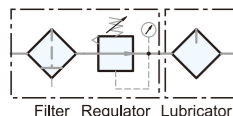
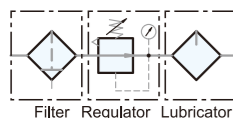


Miniature F.R.L Combination

Filter + Regulator + Lubricator & Filter Regulator + Lubricator

Symbol



Features

1. Remove water and particle effectively.
2. Compact size with effective air service.
3. 40µm and 5µm filter element are easily interchangeable and replaceable.
4. Accurate and easy pressure setting.
5. Oil spray in mist ensures good Lubrication for machines.
6. Strict quality control offers product stable quality and long life.

*Lubricator oil (Recommended): ISO-VG32

How to order

FRL700A	—	O2	N	C	H	A	K
Miniature Filter+Regulator+Lubricator	Port size	Thread	Filtration	Drain	Bowl	Bowl guard	
FRL700A : 0.5~9.9kgf/cm ²	O1 : 1/8"(option)	Blank :G	PE	Blank :Semi-auto drain	Blank :Standard bowl	Blank :W/O guard	
FRL700AL4 : 0.5~4kgf/cm ²	O2 : 1/4"	N :NPT	Blank :5µm	H :Manual drain	A :Anti-acid & alkali bowl	K :W/I guard	
FRL700AL2 : 0.5~2kgf/cm ²		R :Rc	C :40µm	D :Auto drain			
Miniature Filter Regulator+Lubricator			Sintered brass				
FRL600A : 0.5~9.9kgf/cm ²			S :5µm				
FRL600AL4 : 0.5~4kgf/cm ²			T :40µm				
FRL600AL2 : 0.5~2kgf/cm ²							

Please contact our sales for non-relieving type.

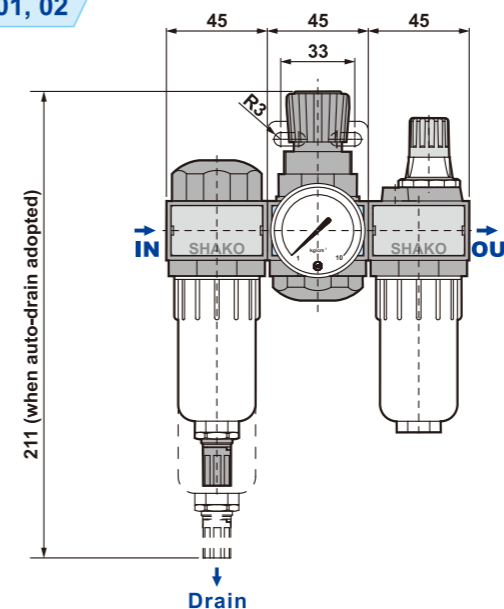
*For non-relieving type, the secondary pressure is not allowed to be exhausted when it is higher than setting pressure.

Specifications

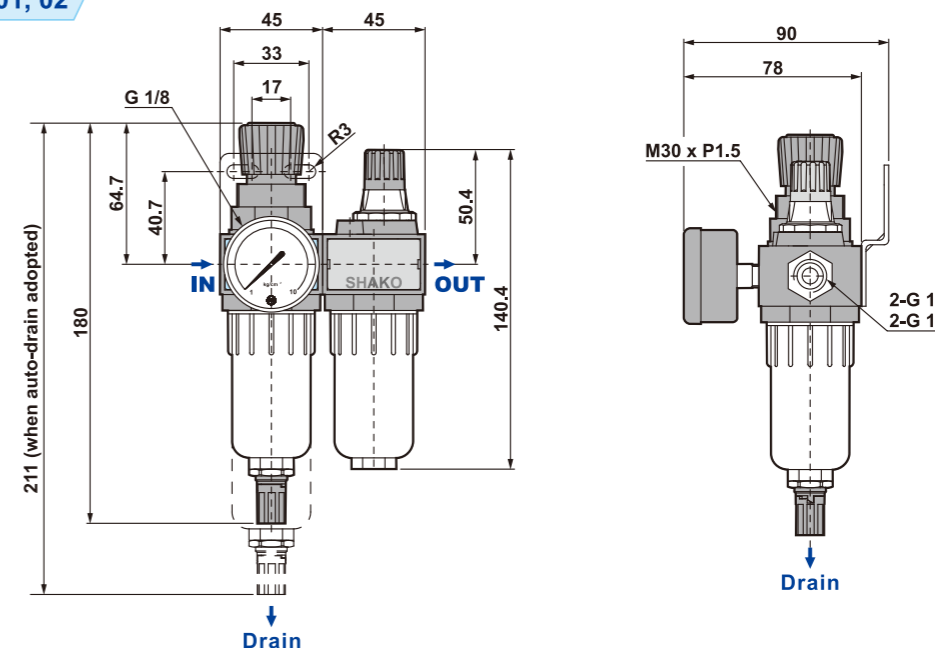
Model	FRL700A-01	FRL700A-02	FRL600A-01	FRL600A-02
Port size	1/8" (option)	1/4"	1/8" (option)	1/4"
Fluid	Compressed air			
Regulator construction	Diaphragm			
Body material	Polycarbonate			
Bowl material	Polycarbonate (Standard)			
Filtration	PE: 5µm (Standard), 40µm (Option); Sintered brass(Option):5µm, 40µm			
Operating pressure range	0.5 ~ 9.9 kgf/cm ² (L4:4.0 kgf/cm ² , L2:2.0 kgf/cm ²)			
Max. inlet pressure	12 kgf/cm ²			
Max. flow rate l/min (ANR) 40µm	1850		1650	1850
Ambient temperature	-10°C ~ 60°C			
Filter bowl capacity	35cc			
Lubricator bowl capacity	50cc			
Standard drain	Semi-auto drain (Drains below 0.5kgf/cm ²)			
Net weight	810g		560g	
Accessories	Pressure gauge, Mounting bracket set, Plug			

Dimensions

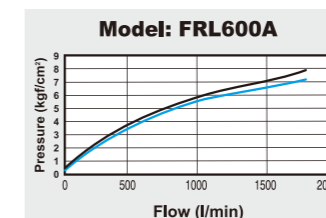
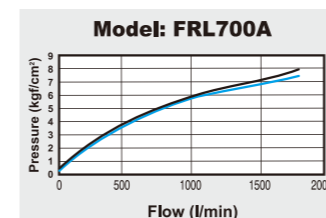
FRL700A-01, 02



FRL600A-01, 02



Flow chart



Note:

X axis: Flow (l/min)

Y axis: Pressure (kgf/cm²)

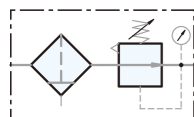
Blue line (P0) = Outlet pressure

Black line (P1) = Inlet pressure

P1-P0=Pressure range

Miniature Filter Regulator

Symbol



Filter Regulator

Features

1. Remove water and particle effectively.
2. Compact size with effective air service.
3. 40µm and 5µm filter element are easily interchangeable and replaceable.
4. Accurate and easy pressure setting.



How to order

FR500A	—	02	N	C	H	A	K
Miniature Filter Regulator	Port size	Thread	Filtration	Drain	Bowl	Bowl guard	
FR500A : 0.5~9.9kgf/cm ²	01 : 1/8"(option)	Blank :G	PE	Blank :Semi-auto drain	Blank : Standard bowl	Blank :W/O guard	
FR500AL4 : 0.5~4kgf/cm ²	02 : 1/4"	N :NPT	Blank :5µm	H :Manual drain	A :Anti-acid & alkali bowl	K :W/I guard	
FR500AL2 : 0.5~2kgf/cm ²		R :Rc	C :40µm	D :Auto drain			
			Sintered brass				
			S :5µm				
			T :40µm				

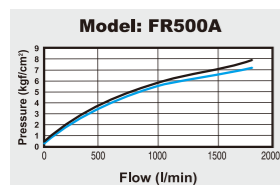
Please contact our sales for non-relieving type.

*For non-relieving type, the secondary pressure is not allowed to be exhausted when it is higher than setting pressure.

Specifications

Model	FR500A-01	FR500A-02
Port size	1/8" [option]	1/4"
Fluid	Compressed air	
Regulator construction	Diaphragm	
Body material	Polycarbonate	
Bowl material	Polycarbonate (Standard)	
Filtration	PE: 5µm (Standard), 40µm(Option) Sintered brass (Option): 5µm, 40µm	
Operating pressure range	0.5 ~ 9.9 kgf/cm ² (L4:4.0 kgf/cm ² , L2:2.0 kgf/cm ²)	
Max. inlet pressure	12 kgf/cm ²	
Max. flow rate l/min (ANR) 40µm	1840	1940
Ambient temperature	-10°C ~ 60°C	
Filter bowl capacity	35cc	
Standard drain	Semi-auto drain (Drains below 0.5kgf/cm ²)	
Net weight	370g	
Accessories	Pressure gauge, Mounting bracket set, Plug	

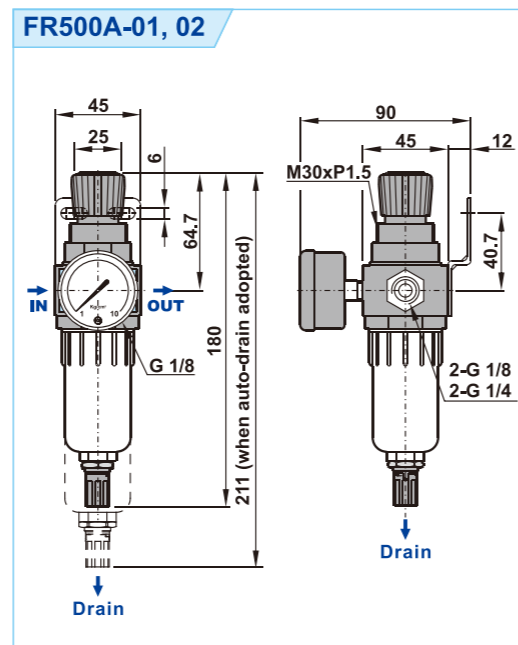
Flow chart



Note:

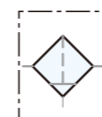
- X axis: Flow (l/min)
- Y axis: Pressure (kgf/cm²)
- Blue line (P0) = Outlet pressure
- Black line (P1) = Inlet pressure
- P1-P0=Pressure range

Dimensions



Miniature Filter

Symbol



Filter

Features

1. Remove water and particle effectively.
2. Compact size with effective air service.
3. 40µm and 5µm filter element are easily interchangeable and replaceable.



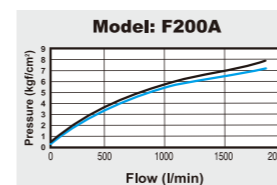
How to order

F200A	—	02	N	C	H	B	A	K
Miniature Filter	Port size	Thread	Filtration	Drain	Mounting bracket	Bowl	Bowl guard	
	01 : 1/8"(option)	Blank :G	PE	Blank :Semi-auto drain	Blank :W/O bracket	Blank : Standard bowl	Blank :W/O guard	
	02 : 1/4"	N :NPT	Blank :5µm	H :Manual drain	B :W/I bracket	A :Anti-acid & alkali bowl	K :W/I guard	
		R :Rc	C :40µm	D :Auto drain				
			Sintered brass					
			S :5µm					
			T :40µm					

Specifications

Model	F200A-01	F200A-02
Port size	1/8" [option]	1/4"
Fluid	Compressed air	
Body material	Polycarbonate	
Bowl material	Polycarbonate (Standard)	
Filtration	PE: 5µm (Standard), 40µm(Option) Sintered brass (Option): 5µm, 40µm	
Operating pressure range	0.5 ~ 9.9 kgf/cm ²	
Proof pressure (Standard bowl)	12 kgf/cm ²	
Max. flow rate l/min (ANR) 40µm	1900	
Ambient temperature	-10°C ~ 60°C	
Filter bowl capacity	35cc	
Standard drain	Semi-auto drain (Drains below 0.5kgf/cm ²)	
Net weight	245g	
Option	Mounting bracket set	

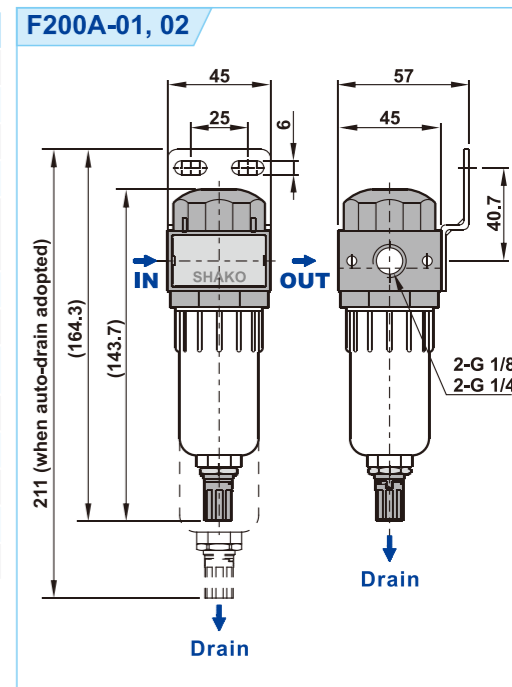
Flow chart



Note:

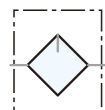
- X axis: Flow (l/min)
- Y axis: Pressure (kgf/cm²)
- Blue line (P0) = Outlet pressure
- Black line (P1) = Inlet pressure
- P1-P0=Pressure range

Dimensions



Miniature Lubricator

Symbol



Lubricator

Features

1. Compact size with effective air service.
2. Oil spray in mist ensures good lubrication for machines.



*Lubricator oil (Recommended): ISO-VG32

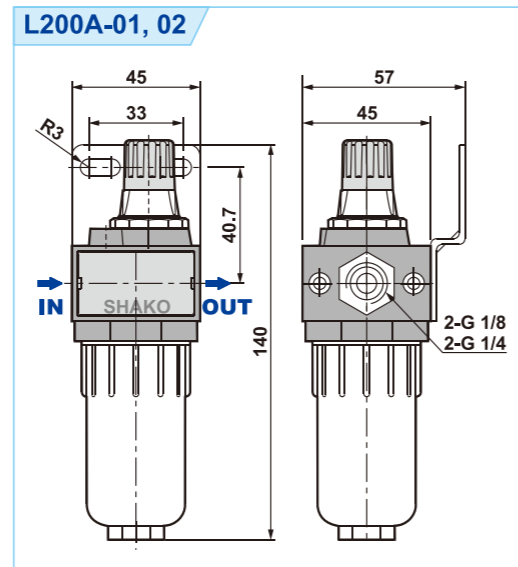
How to order

Miniature Lubricator	Port size	Thread	Mounting bracket	Bowl	Bowl guard
L200A - 02 N B A K	01 : 1/8" (option) 02 : 1/4"	Blank : G N : NPT R : Rc	Blank : W/O bracket B : W/I bracket	Blank : Standard bowl A : Anti-acid & alkali bowl	Blank : W/O guard K : W/I guard

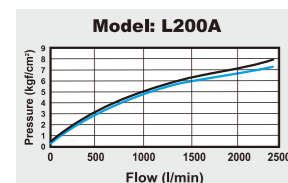
Specifications

Model	L200A-01	L200A-02
Port size	1/8" (option)	1/4"
Fluid	Compressed air	
Body material	Polycarbonate	
Bowl material	Polycarbonate (Standard)	
Operating pressure range	0.5 ~ 9.9 kgf/cm ²	
Proof pressure (Standard bowl)	12 kgf/cm ²	
Max. flow rate l/min (ANR)	2449	
Ambient temperature	-10°C ~ 60°C	
Lubricator bowl capacity	50cc	
Net weight	165g	
Option	Mounting bracket set	

Dimensions



Flow chart



Note:

- X axis: Flow (l/min)
- Y axis: Pressure (kgf/cm²)
- Blue line (P0) = Outlet pressure
- Black line (P1) = Inlet pressure
- P1-P0=Pressure range

Memo...

