

# Guide Cylinder

## Features

1. Compact size, easy to be stacked.
2. Non-Rotated design.
3. Hollow guide rod for attaching vacuum pad.



## How to order

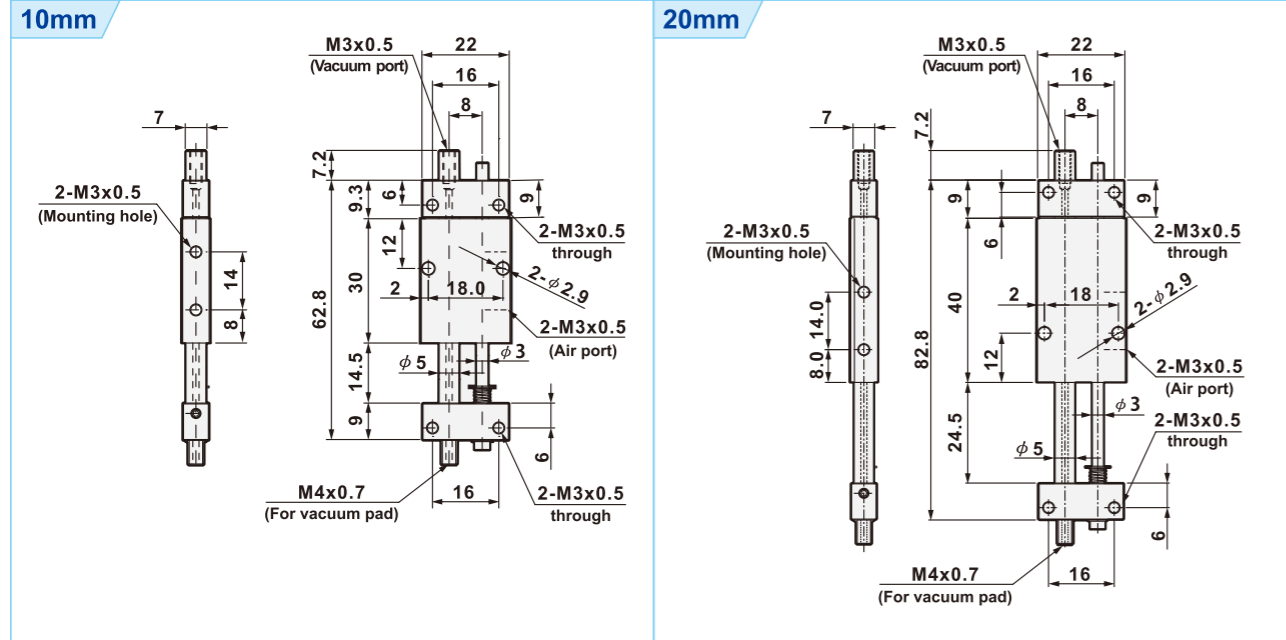
**HC05 - CU12121 - 0010**

Customized model number

**HC05 - CU12065 - 0020**

Customized model number

## Dimensions



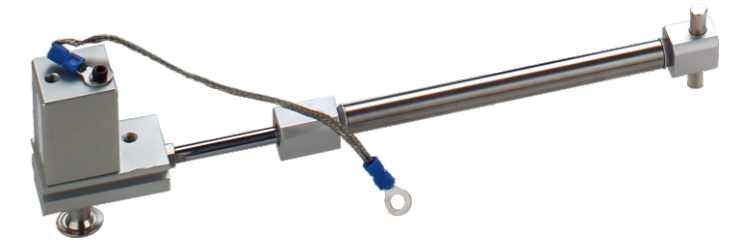
## Specifications

Bore size	$\phi 5$
Stroke	10mm, 20mm
Stroke tolerance	+1.0 / +0
Fluid	Compressed air
Acting	Double acting
Max. Operating pressure	0.15 ~ 0.8Mpa
Construction	Hollow guide rod
Cushion	Internal: None, External: Spring
Magnet	None
Ambient temperature	-5°C ~ 60°C (Unfrozen)
Piston speed	1.5 ~ 500mm/Sec

# Conductive Cylinder

## Features

1. For PCB high-speed driller.
2. Regardless the piston position, electricity can be transmitted to rod end plate after energized.

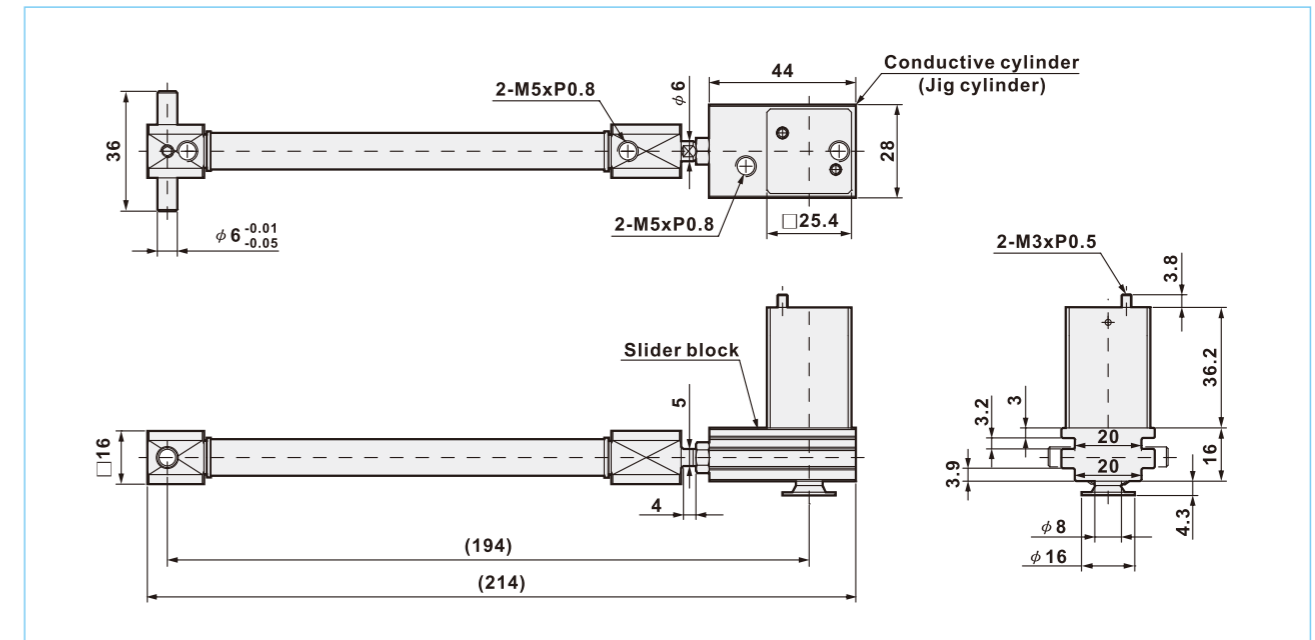


## How to order

**JPC - CU10020**

Customized model number

## Dimensions



## Specifications

Bore size	$\phi 12$
Stroke	25mm
Stroke tolerance	+1.0 / +0
Fluid	Compressed air
Acting	Double acting
Max. Operating pressure	0.15 ~ 0.85Mpa
Cushion	Rubber
Magnet	None
Ambient temperature	-5°C ~ 60°C (Unfrozen)
Piston speed	50 ~ 700mm/Sec

## ■ Features

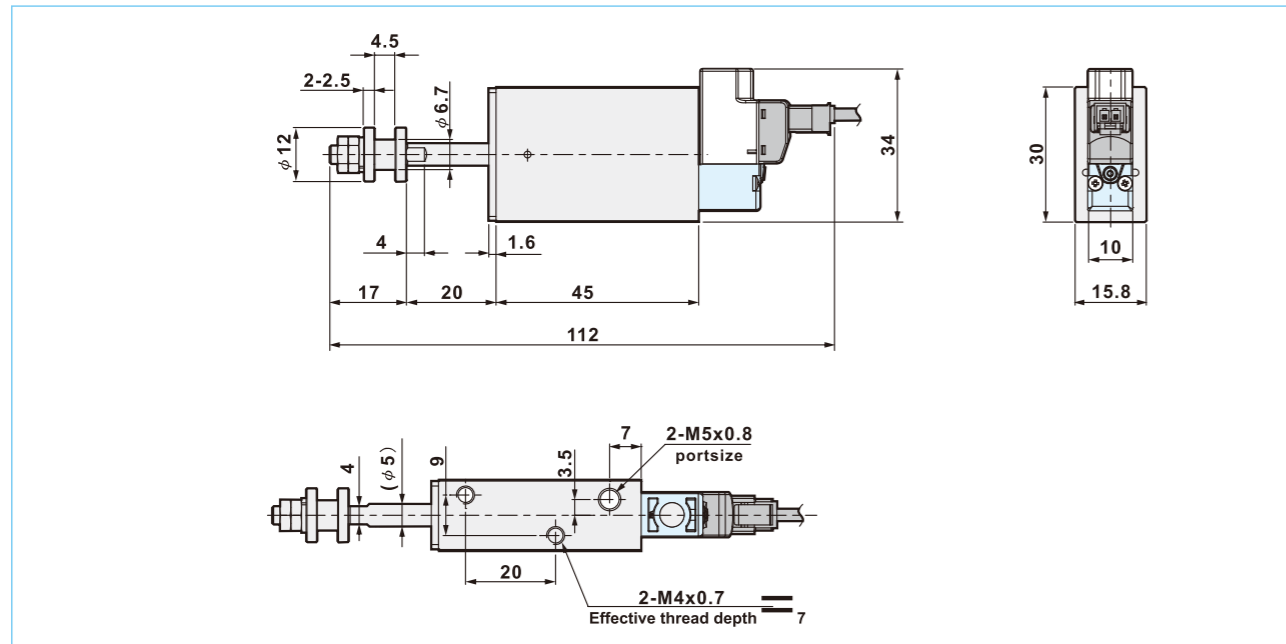
1. Aluminum alloy body provides corrosion and wear resistance as well as long life cycle.
2. Compact size and space saving.
3. Quick acting.
4. Attached with low power consumption (0.8W) 10mm solenoid valve.

## ■ How to order

**HCV1 - CU09009 - 0015**

Customized model number

## ■ Dimensions



## ■ Specifications

Bore size	φ 10
Stroke	15mm
Stroke tolerance	+1.0 / +0
Fluid	Compressed air
Acting	Single acting (Spring return)
Max. Operating pressure	0.15 ~ 0.8Mpa
Acting frequency	6Hz
Cushion	Rubber
Magnet	None
Ambient temperature	-5°C ~ 50°C (Unfrozen)
Piston speed	50 ~ 500mm/Sec

## ■ Features

1. Easy operation.
2. Main body and piston rod are made out of stainless steel for corrosion resistance.

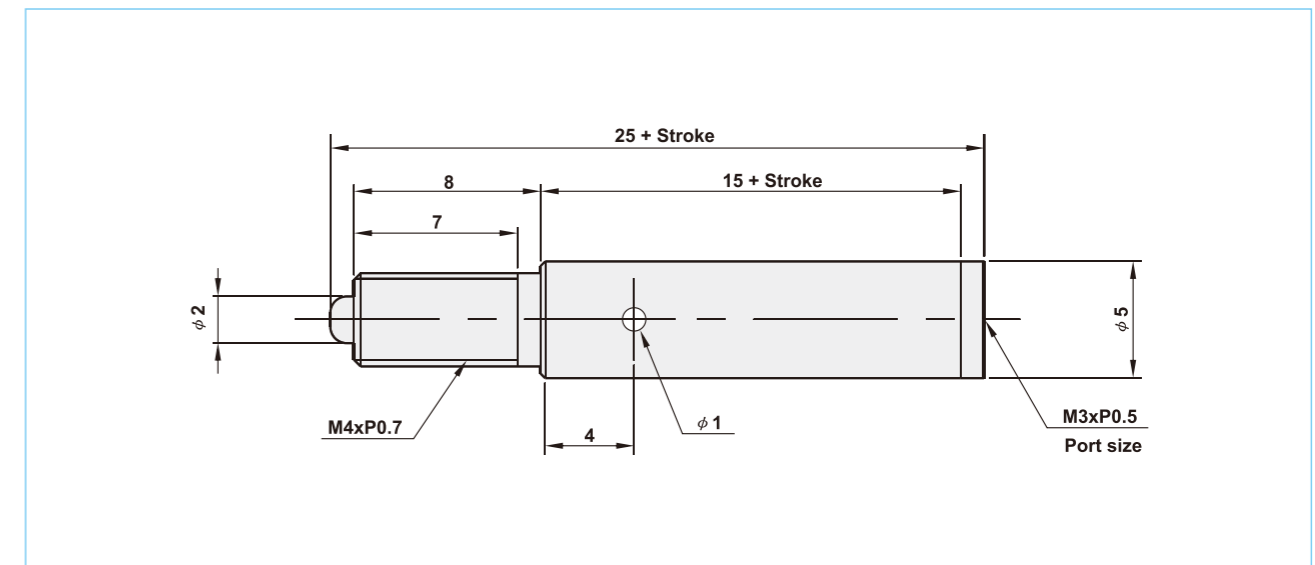


## ■ How to order

**APC4 - CU08078 - 0010**

Customized model number

## ■ Dimensions



## ■ Specifications

Bore size	φ 4
Port size	M3xP0.5
Fluid	Compressed air
Acting	Single acting
Operating pressure range	3 ~ 7 kgf/cm <sup>2</sup>
Max. operating pressure	7 kgf/cm <sup>2</sup>
Material	SUS
Cushion	None
Magnet	None
Ambient temperature	-5°C ~ 60°C
Piston speed	50~500mm/Sec.

# Ultrasonic Cylinder

## ■ Features

1. Smooth & stable piston acting.
2. Stable & slow piston movement in cushion area.

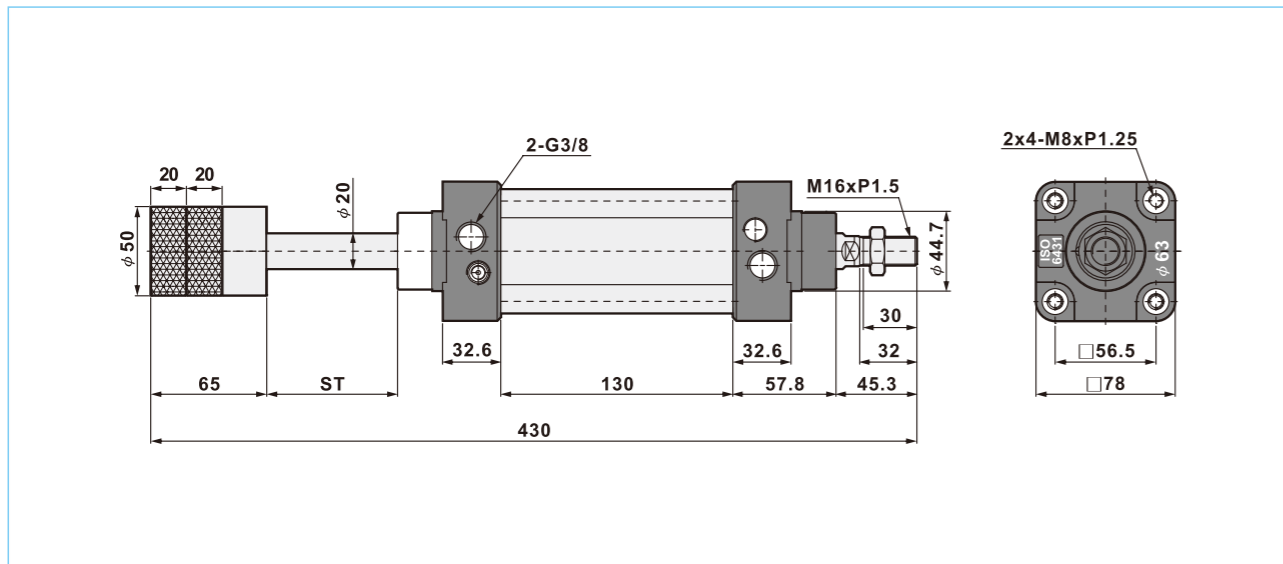


## ■ How to order

**ICA63 – R012005 – 0075**

Customized model number

## ■ Dimensions



## ■ Specifications

Bore size	φ 63
Stroke	75mm
Stroke tolerance	+1.0 / +0
Fluid	Compressed air
Acting	Double acting
Max. Operating pressure	0.15 ~ 0.95Mpa
Cushion	Air cushion
Magnet	None
Ambient temperature	-5°C ~ 60 °C(Unfrozen)
Piston speed	50 ~ 700mm/Sec

# Low Speed Cylinder

## ■ Features

1. Slow piston speed.
2. Low friction.
3. Stable acting.

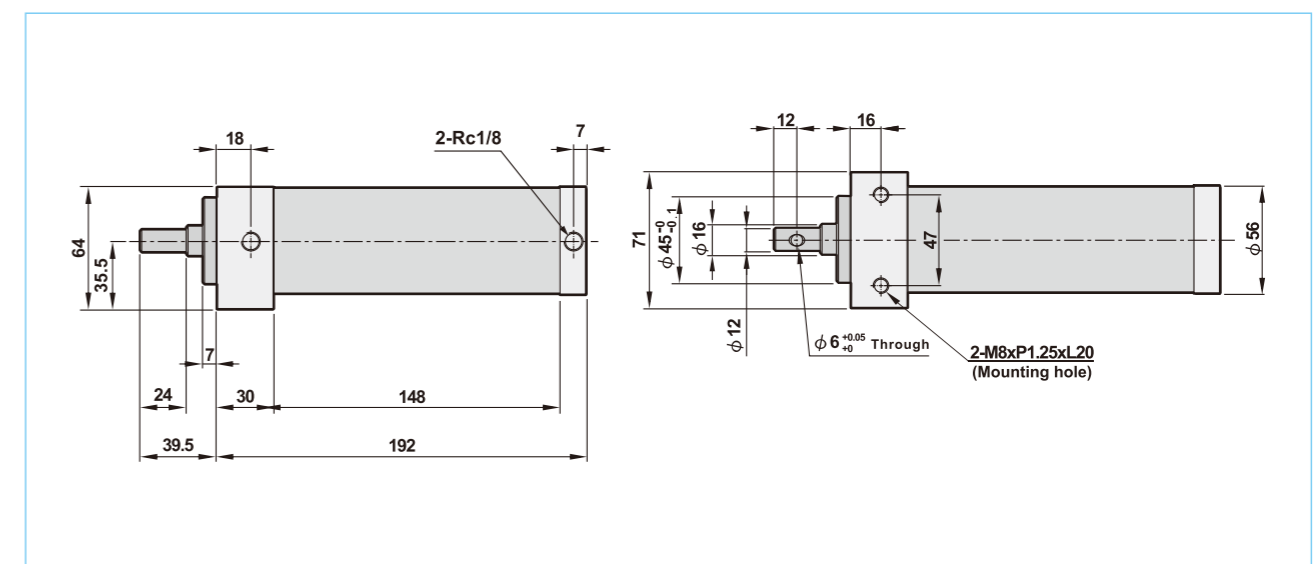


## ■ How to order

**PCL50 – CU12048 – 0090**

Customized model number

## ■ Dimensions



## ■ Specifications

Bore size	50mm
Stroke	90mm
Stroke tolerance	+1.0 / +0
Fluid	Compressed air
Acting	Double acting
Max. Operating pressure	0.15 ~ 0.85Mpa
Cushion	Air cushion
Magnet	None
Ambient temperature	-5°C ~ 60 °C(Unfrozen)
Piston speed	1.5 ~ 500mm/Sec



# Anti-Acud & Alkali Solenoid Valve

## Features

1. Direct acting and quick response.
2. Suitable for acid and alkaline chemical fluid.
3. Fluid should be liquid. Solid media is forbidden.
4. Horizontal installation is required.
5. Coil nut is available, please refer to page 5-3.



## How to order

**PE220 – CU08046**

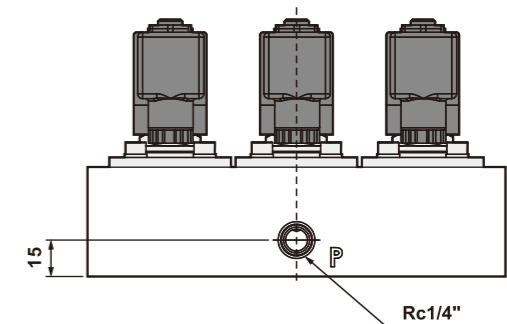
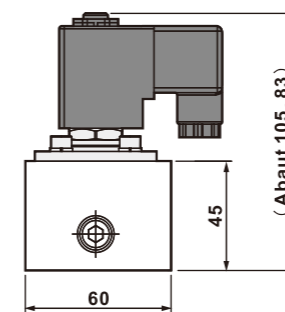
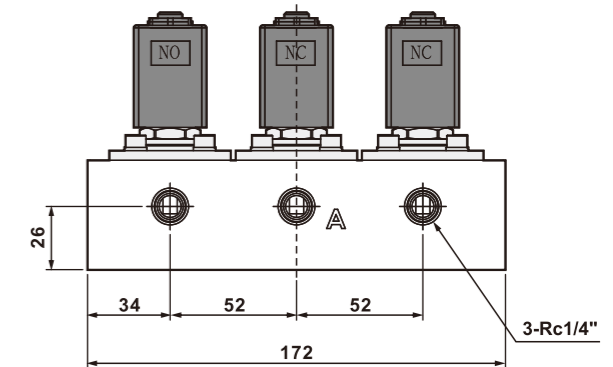
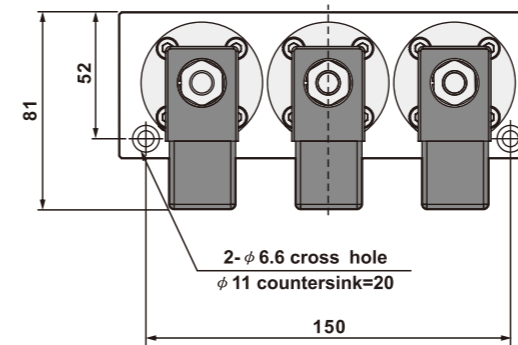
Customized model number

## Specifications

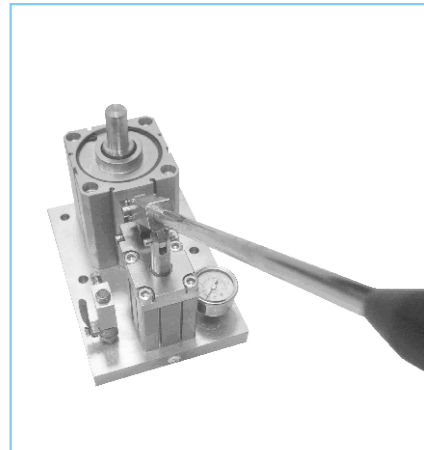
Model	PE220-CU08046
Port size	1/4"
Fluid	Acid & alkali liquids
Orifice	5mm
Acting	Direct acting
Diaphragm	NBR PTFE
Operating pressure range	0.1 ~ 1 kgf/cm <sup>2</sup>
Proof pressure	1.5 kgf/cm <sup>2</sup> ; H: 4.5 kgf/cm <sup>2</sup>
Body material	Teflon
Fluid temperature	-10°C ~ 90°C
Ambient temperature	0°C ~ +60°C
Installation	Horizontal
Duty cycle	100% ED
Coil type	DIN
Protection class	IP65 (DIN 40 050)
Insulation class	F
Voltage tolerance	±10%
Standard voltage	220VAC, 110VAC, 24VDC The other voltage is optional
Power consumption	AC110V:17.6VA, AC220V:18.1VA, 24VDC:15W

## Dimensions

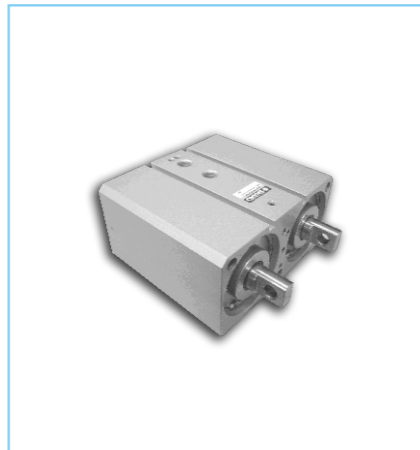
PE220-CU08046



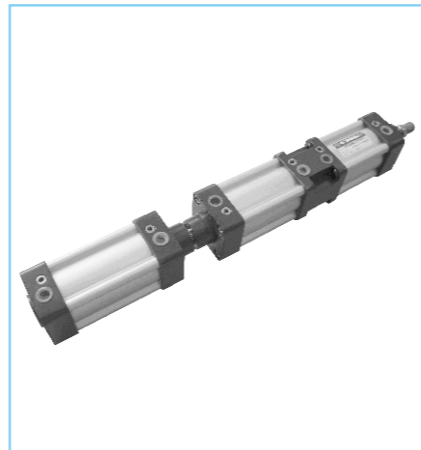




Manual pneumatic jack



Interactive dual rod cylinder



Series connection cylinder



Pressure balance valve



Rodless pneumatic cylinder



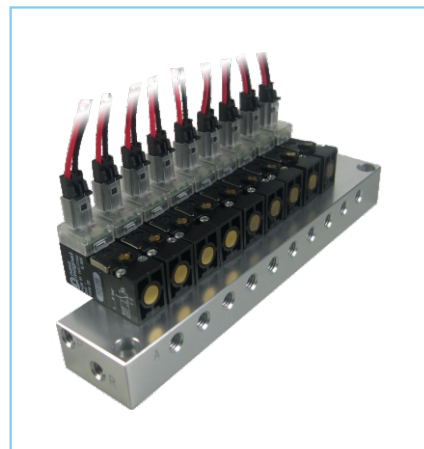
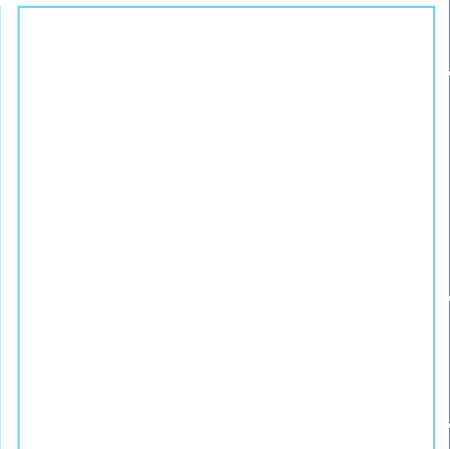
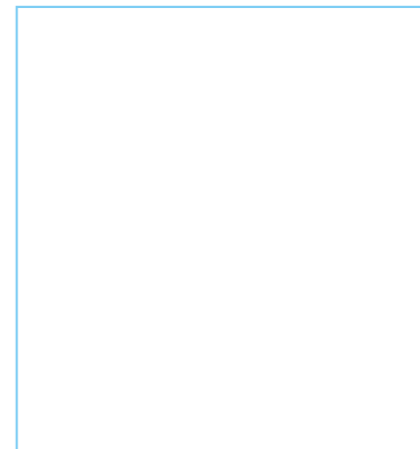
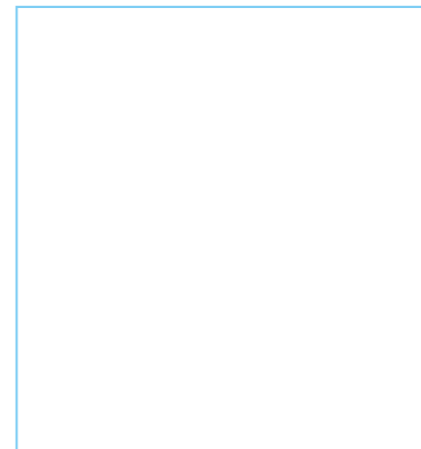
Mechanical +air pilot valve



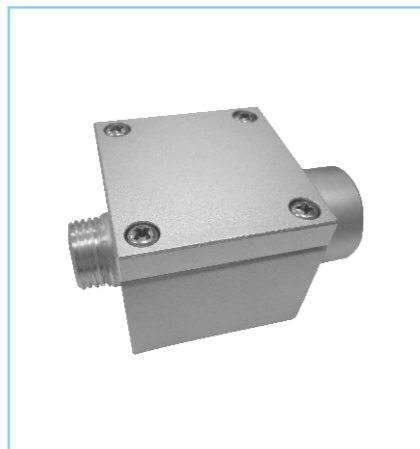
Mini single acting cylinder



Safety speed control valve



Mini Solenoid Valve



Ex-proof connector



Close center manual valve

