


# N 系列 快速接頭


系列 Fitting

直接頭




NO	4-M5	4-01	4-02	6-M5	6-01	6-02	6-03	8-01	8-02	8-03	8-04	10-02	10-03	10-04	12-02	12-03	12-04
管徑	4	4	4	6	6	6	6	8	8	8	8	10	10	10	12	12	12
牙口	M5	1/8"	1/4"	M5	1/8"	1/4"	3/8"	1/8"	1/4"	3/8"	1/2"	1/4"	3/8"	1/2"	1/4"	3/8"	1/2"

90° 彎接頭




NO	4-M5	4-01	4-02	6-M5	6-01	6-02	6-03	8-01	8-02	8-03	8-04	10-02	10-03	10-04	12-02	12-03	12-04
管徑	4	4	4	6	6	6	6	8	8	8	8	10	10	10	12	12	12
牙口	M5	1/8"	1/4"	M5	1/8"	1/4"	3/8"	1/8"	1/4"	3/8"	1/2"	1/4"	3/8"	1/2"	1/4"	3/8"	1/2"

三通中牙接頭




NO	4-M5	4-01	4-02	6-M5	6-01	6-02	6-03	8-01	8-02	8-03	8-04	10-02	10-03	10-04	12-02	12-03	12-04
管徑	4	4	4	6	6	6	6	8	8	8	8	10	10	10	12	12	12
牙口	M5	1/8"	1/4"	M5	1/8"	1/4"	3/8"	1/8"	1/4"	3/8"	1/2"	1/4"	3/8"	1/2"	1/4"	3/8"	1/2"

調速接頭




NO	4-M5	4-01	4-02	6-M5	6-01	6-02	6-03	8-01	8-02	8-03	8-04	10-02	10-03	10-04	12-02	12-03	12-04
管徑	4	4	4	6	6	6	6	8	8	8	8	10	10	10	12	12	12
牙口	M5	1/8"	1/4"	M5	1/8"	1/4"	3/8"	1/8"	1/4"	3/8"	1/2"	1/4"	3/8"	1/2"	1/4"	3/8"	1/2"

三通邊牙接頭




NO	4-M5	4-01	4-02	6-M5	6-01	6-02	6-03	8-01	8-02	8-03	8-04	10-02	10-03	10-04	12-02	12-03	12-04
管徑	4	4	4	6	6	6	6	8	8	8	8	10	10	10	12	12	12
牙口	M5	1/8"	1/4"	M5	1/8"	1/4"	3/8"	1/8"	1/4"	3/8"	1/2"	1/4"	3/8"	1/2"	1/4"	3/8"	1/2"

內牙彎接頭




NO	4-M5	4-01	4-02	6-M5	6-01	6-02	6-03	8-01	8-02	8-03	8-04	10-02	10-03	10-04	12-02	12-03	12-04
管徑	4	4	4	6	6	6	6	8	8	8	8	10	10	10	12	12	12
牙口	M5	1/8"	1/4"	M5	1/8"	1/4"	3/8"	1/8"	1/4"	3/8"	1/2"	1/4"	3/8"	1/2"	1/4"	3/8"	1/2"

內牙直接頭




NO	4-M5	4-01	4-02	6-M5	6-01	6-02	6-03	8-01	8-02	8-03	8-04	10-02	10-03	10-04	12-02	12-03	12-04
管徑	4	4	4	6	6	6	6	8	8	8	8	10	10	10	12	12	12
牙口	M5	1/8"	1/4"	M5	1/8"	1/4"	3/8"	1/8"	1/4"	3/8"	1/2"	1/4"	3/8"	1/2"	1/4"	3/8"	1/2"

內六角彎接頭



NO	4-M5	4-01	4-02	6-M5	6-01	6-02	6-03	8-01	8-02	8-03	8-04	10-02	10-03	10-04	12-02	12-03	12-04
管徑	4	4	4	6	6	6	6	8	8	8	8	10	10	10	12	12	12
牙口	M5	1/8"	1/4"	M5	1/8"	1/4"	3/8"	1/8"	1/4"	3/8"	1/2"	1/4"	3/8"	1/2"	1/4"	3/8"	1/2"

彎接頭 (加長)



NO	4-M5	4-01	4-02	6-M5	6-01	6-02	6-03	8-01	8-02	8-03	8-04	10-02	10-03	10-04	12-02	12-03	12-04
管徑	4	4	4	6	6	6	6	8	8	8	8	10	10	10	12	12	12
牙口	M5	1/8"	1/4"	M5	1/8"	1/4"	3/8"	1/8"	1/4"	3/8"	1/2"	1/4"	3/8"	1/2"	1/4"	3/8"	1/2"

調速接頭-S型



NO	4-M5	4-01	4-02	6-M5	6-01	6-02	6-03	8-01	8-02	8-03	8-04	10-02	10-03	10-04	12-02	12-03	12-04
管徑	4	4	4	6	6	6	6	8	8	8	8	10	10	10	12	12	12
牙口	M5	1/8"	1/4"	M5	1/8"	1/4"	3/8"	1/8"	1/4"	3/8"	1/2"	1/4"	3/8"	1/2"	1/4"	3/8"	1/2"

內牙隔板接頭



NO	4-01	4-02	6-01	6-02	6-03	8-01	8-02	8-03	10-02	10-03	10-04	12-02	12-03	12-04			
管徑	4	4	6	6	6	8	8	8	10	10	10	12	12	12			
牙口	1/8"	1/4"	1/8"	1/4"	3/8"	1/8"	1/4"	3/8"	1/4"	3/8"	1/2"	1/4"	3/8"	1/2"			

Y型中牙異徑接頭 (可彎曲)-NPX



NO	4-M5	4-01	4-02	6-M5	6-01	6-02	6-03	8-01	8-02	8-03	8-04	10-02	10-03	10-04	12-02	12-03	12-04
管徑	4	4	4	6	6	6	6	8	8	8	8	10	10	10	12	12	12
牙口	M5	1/8"	1/4"	M5	1/8"	1/4"	3/8"	1/8"	1/4"	3/8"	1/2"	1/4"	3/8"	1/2"	1/4"	3/8"	1/2"

雙插彎接頭



NO	4	6	8	10	12
管徑	4	6	8	10	12

雙插直接頭



NO	4	6	8	10	12
管徑	4	6	8	10	12

三通接頭



NO	4	6	8	10	12
管徑	4	6	8	10	12

雙插隔板接頭



NO	4	6	8	10	12
管徑	4	6	8	10	12

Y型異徑接頭 (可彎曲)



NO	6-4	8-6	10-8	12-10
管徑	6	8	10	12
牙口	4	6	8	10

NO	4-M5	4-01	4-02	6-M5	6-01	6-02	6-03	8-01	8-02	8-03	8-04	10-02	10-03	10-04	12-02	12-03	12-04
管徑	4	4	4	6	6	6	6	8	8	8	8	10	10	10	12	12	12
牙口	M5	1/8"	1/4"	M5	1/8"	1/4"	3/8"	1/8"	1/4"	3/8"	1/2"	1/4"	3/8"	1/2"	1/4"	3/8"	1/2"

NO	4-01	4-02	6-01	6-02	6-03	8-01	8-02	8-03	10-02	10-03	10-04	12-02	12-03	12-04			
管徑	4	4	6	6	6	8	8	8	10	10	10	12	12	12			
牙口	1/8"	1/4"	1/8"	1/4"	3/8"	1/8"	1/4"	3/8"	1/4"	3/8"	1/2"	1/4"	3/8"	1/2"			

NO	4-M5	4-01	4-02	6-M5	6-01	6-02	6-03	8-01	8-02	8-03	8-04	10-02	10-03	10-04	12-02	12-03	12-04
管徑	4	4	4	6	6	6	6	8	8	8	8	10	10	10	12	12	12
牙口	M5	1/8"	1/4"	M5	1/8"	1/4"	3/8"	1/8"	1/4"	3/8"	1/2"	1/4"	3/8"	1/2"	1/4"	3/8"	1/2"

三通異徑接頭



NO	6-4	8-6	10-8	12-10
管徑	6	8	10	12
牙口	4	6	8	10

雙插異徑直接頭



NO	6-4	8-6	10-8	12-10
管徑	6	8	10	12
牙口	4	6	8	10

Y型接頭 (可彎曲)



NO	4	6	8	10	12
管徑	4	6	8	10	12

U型接頭 (雙插)



NO	4	6	8	10	12
管徑	4	6	8	10	12

直接頭



NPPC

NO	4-M5	4-01	4-02	6-M5	6-01	6-02	6-03	8-01	8-02	8-03	8-04	10-02	10-03	10-04	12-02	12-03	12-04
管徑	4	4	4	6	6	6	6	8	8	8	8	10	10	10	12	12	12
牙口	M5	1/8"	1/4"	M5	1/8"	1/4"	3/8"	1/8"	1/4"	3/8"	1/2"	1/4"	3/8"	1/2"	1/4"	3/8"	1/2"

90° 彎接頭



NPLC

NO	4-M5	4-01	4-02	6-M5	6-01	6-02	6-03	8-01	8-02	8-03	8-04	10-02	10-03	10-04	12-02	12-03	12-04
管徑	4	4	4	6	6	6	6	8	8	8	8	10	10	10	12	12	12
牙口	M5	1/8"	1/4"	M5	1/8"	1/4"	3/8"	1/8"	1/4"	3/8"	1/2"	1/4"	3/8"	1/2"	1/4"	3/8"	1/2"

三通中牙接頭



NPBC

NO	4-M5	4-01	4-02	6-M5	6-01	6-02	6-03	8-01	8-02	8-03	8-04	10-02	10-03	10-04	12-02	12-03	12-04
管徑	4	4	4	6	6	6	6	8	8	8	8	10	10	10	12	12	12
牙口	M5	1/8"	1/4"	M5	1/8"	1/4"	3/8"	1/8"	1/4"	3/8"	1/2"	1/4"	3/8"	1/2"	1/4"	3/8"	1/2"

調速接頭



NSCC

NO	4-M5	4-01	4-02	6-M5	6-01	6-02	6-03	8-01	8-02	8-03	8-04	10-02	10-03	10-04	12-02	12-03	12-04
管徑	4	4	4	6	6	6	6	8	8	8	8	10	10	10	12	12	12
牙口	M5	1/8"	1/4"	M5	1/8"	1/4"	3/8"	1/8"	1/4"	3/8"	1/2"	1/4"	3/8"	1/2"	1/4"	3/8"	1/2"

三通邊牙接頭



NPDC

NO	6-01	6-02	6-03	8-01	8-02	8-03	8-04	10-02	10-03	10-04	12-02	12-03	12-04				
管徑	6	6	6	8	8	8	8	10	10	10	12	12	12				
牙口	1/8"	1/4"	3/8"	1/8"	1/4"	3/8"	1/2"	1/4"	3/8"	1/2"	1/4"	3/8"	1/2"				

內牙彎接頭



NPHC

NO	6-01	6-02	6-03	8-01	8-02	8-03	8-04	10-02	10-03	10-04	12-02	12-03	12-04				
管徑	6	6	6	8	8	8	8	10	10	10	12	12	12				
牙口	1/8"	1/4"	3/8"	1/8"	1/4"	3/8"	1/2"	1/4"	3/8"	1/2"	1/4"	3/8"	1/2"				

三通接頭



NPEC

NO	4	6	8	10	12
管徑	4	6	8	10	12

變徑接頭



NPGC

NO	6-4	8-6	10-8	12-10
管徑	6	8	10	12
	4	6	8	10

雙插彎接頭



NPVC

NO	4	6	8	10	12
管徑	4	6	8	10	12

雙插直接頭



NPUC

NO	4	6	8	10	12
管徑	4	6	8	10	12

內牙直接頭



NPMF

NO	4-01	4-02	6-01	6-02	6-03	8-01	8-02	8-03	10-02	10-03	10-04	12-02	12-03	12-04			
管徑	4	4	6	6	6	8	8	8	10	10	10	12	12	12			
牙口	1/8"	1/4"	1/8"	1/4"	3/8"	1/8"	1/4"	3/8"	1/4"	3/8"	1/2"	1/4"	3/8"	1/2"			

雙插隔板接頭



NPMU

NO	4	6	8	10	12
管徑	4	6	8	10	12

直接頭



S6PC

NO	4-M5	4-01	4-02	6-M5	6-01	6-02	6-03	8-01	8-02	8-03	8-04	10-02	10-03	10-04	12-02	12-03	12-04
管徑	4	4	4	6	6	6	6	8	8	8	8	10	10	10	12	12	12
牙口	M5	1/8"	1/4"	M5	1/8"	1/4"	3/8"	1/8"	1/4"	3/8"	1/2"	1/4"	3/8"	1/2"	1/4"	3/8"	1/2"

90° 彎接頭



S6PL

NO	4-M5	4-01	4-02	6-M5	6-01	6-02	6-03	8-01	8-02	8-03	8-04	10-02	10-03	10-04	12-02	12-03	12-04
管徑	4	4	4	6	6	6	6	8	8	8	8	10	10	10	12	12	12
牙口	M5	1/8"	1/4"	M5	1/8"	1/4"	3/8"	1/8"	1/4"	3/8"	1/2"	1/4"	3/8"	1/2"	1/4"	3/8"	1/2"

三通中牙接頭



S6PB

NO	4-M5	4-01	4-02	6-M5	6-01	6-02	6-03	8-01	8-02	8-03	8-04	10-02	10-03	10-04	12-02	12-03	12-04
管徑	4	4	4	6	6	6	6	8	8	8	8	10	10	10	12	12	12
牙口	M5	1/8"	1/4"	M5	1/8"	1/4"	3/8"	1/8"	1/4"	3/8"	1/2"	1/4"	3/8"	1/2"	1/4"	3/8"	1/2"

三通邊牙接頭



S6PD

NO	4-01	4-02	6-01	6-02	8-01	8-02	10-02	10-03	12-02	12-03	12-04						
管徑	4	4	6	6	8	8	10	10	12	12	12						
牙口	1/8"	1/4"	1/8"	1/4"	1/8"	1/4"	1/4"	3/8"	1/4"	3/8"	1/2"						

內牙直接頭



S6PCF

NO	4-01	4-02	6-01	6-02	6-03	8-01	8-02	8-03	10-02	10-03	10-04	12-02	12-03	12-04			
管徑	4	4	6	6	6	8	8	8	10	10	10	12	12	12			
牙口	1/8"	1/4"	1/8"	1/4"	3/8"	1/8"	1/4"	3/8"	1/4"	3/8"	1/2"	1/4"	3/8"	1/2"			

雙插直接頭



S6PU

NO	4	6	8	10	12
管徑	4	6	8	10	12

三通接頭



S6PE

NO	4	6	8	10	12
管徑	4	6	8	10	12

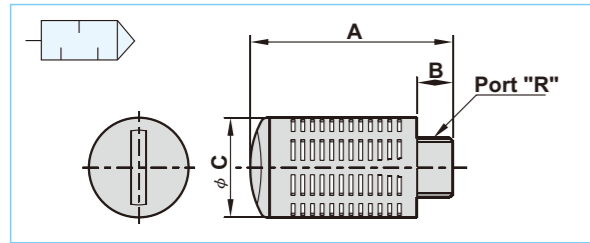
相關元件  
線圈  
線圈  
線圈接線盒  
防爆線圈  
接頭  
消音器  
PU管/NY管  
油壓緩衝器

# 消音器

Silencer



## ■ 尺寸圖



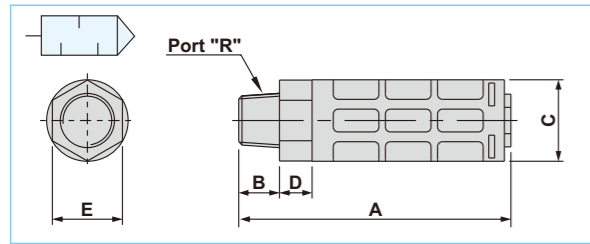
## ■ 訂購代號

<b>EN</b>	<b>-</b>	<b>01</b>		
塑膠消音器		配管尺寸		
	<b>01</b> : 1/8"	<b>04</b> : 1/2"		
	<b>02</b> : 1/4"	<b>06</b> : 3/4"		
	<b>03</b> : 3/8"	<b>08</b> : 1"		

機型	R	A	B	C
EN-01	PT 1/8"	33	6	16
EN-02	PT 1/4"	42.2	8	20
EN-03	PT 3/8"	56.8	10	24
EN-04	PT 1/2"	56.8	10	24
EN-06	PT 3/4"	85	14	34
EN-08	PT 1"	100	19	41



## ■ 尺寸圖



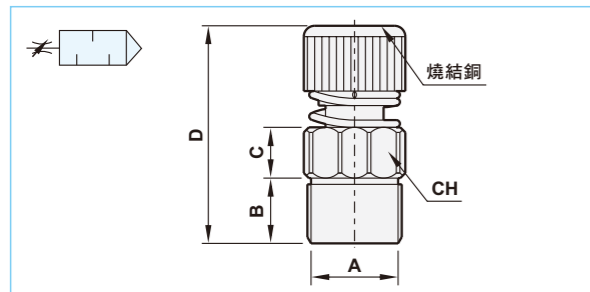
## ■ 訂購代號

<b>ENB</b>	<b>-</b>	<b>01</b>		
塑膠消音器		配管尺寸		
	<b>01</b> : 1/8"	<b>03</b> : 3/8"		
	<b>02</b> : 1/4"	<b>04</b> : 1/2"		

機型	R	A	B	C	D	E
ENB-01	PT 1/8"	41	8	φ16	7	14
ENB-02	PT 1/4"	65	10	φ21	10	20
ENB-03	PT 3/8"	83.5	12.5	φ25	10	22
ENB-04	PT 1/2"	94	14	φ30	10	26



## ■ 尺寸圖

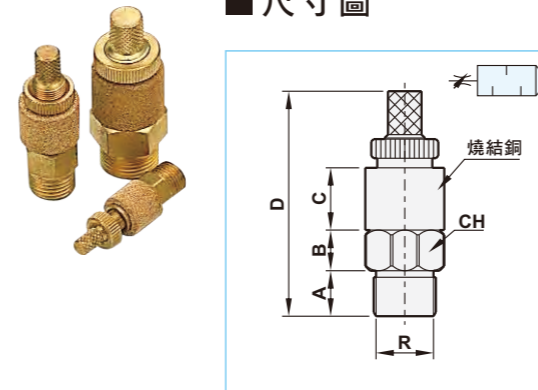


## ■ 訂購代號

<b>EV</b>	<b>-</b>	<b>01</b>		<b>N</b>
銅調速消音器		配管尺寸		配管口螺牙
	<b>01</b> : 1/8"	<b>03</b> : 3/8"		空白 : PT
	<b>02</b> : 1/4"	<b>04</b> : 1/2"		<b>N</b> : NPT

機型	A	B	C	D	CH
EV-01	PT 1/8"	6.0	7.0	33.0	12.0
EV-02	PT 1/4"	9.0	7.0	35.0	16.0
EV-03	PT 3/8"	10.0	10.0	40.0	18.0
EV-04	PT 1/2"	10.0	10.0	42.0	24.0

## ■ 尺寸圖

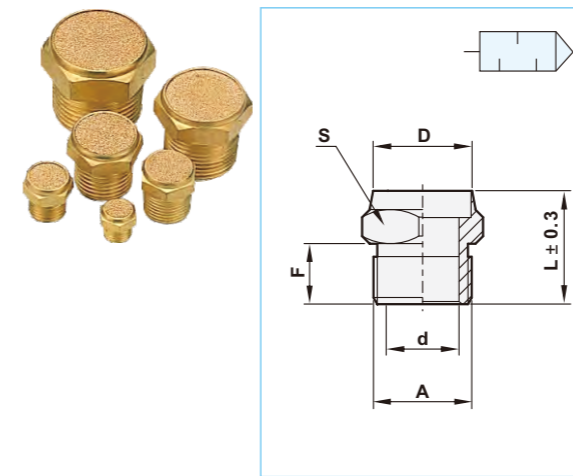


## ■ 訂購代號

<b>ES</b>	<b>-</b>	<b>01</b>		<b>N</b>
銅調速排氣消音器		配管尺寸		配管口螺牙
	<b>01</b> : 1/8"	<b>03</b> : 3/8"		空白 : PT
	<b>02</b> : 1/4"	<b>04</b> : 1/2"		<b>N</b> : NPT

機型	R	B	C	D	E	CH
ES-01	PT 1/8"	6.0	7.0	23.0	36.0	12.0
ES-02	PT 1/4"	9.0	7.0	28.0	43.0	14.0
ES-03	PT 3/8"	10.0	10.0	35.0	46.5	18.0
ES-04	PT 1/2"	11.0	5.0	20.0	56.5	22.0

## ■ 尺寸圖



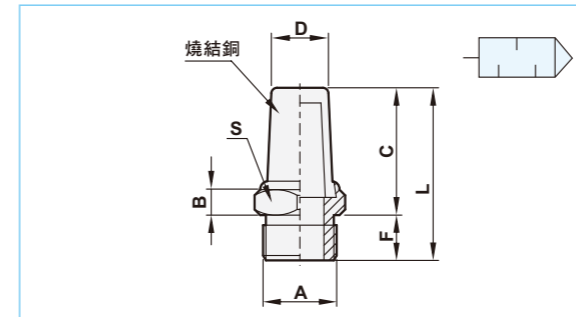
## ■ 訂購代號

<b>EP</b>	<b>-</b>	<b>01</b>		<b>N</b>
銅平頭消音器		配管尺寸		配管口螺牙
	<b>M5</b> : M5	<b>04</b> : 1/2"		空白 : PT
	<b>01</b> : 1/8"	<b>06</b> : 3/4"		<b>N</b> : NPT
	<b>02</b> : 1/4"	<b>08</b> : 1"		
	<b>03</b> : 3/8"			

機型	A	D	d	L	F	S
EP-M5	M5	7.5	2.5	10.0	5.0	8.0
EP-01	PT 1/8"	11.4	6.5	11.3	6.4	12.0
EP-02	PT 1/4"	14.8	9.0	14.1	8.2	15.0
EP-03	PT 3/8"	18.0	12.0	15.8	9.0	19.0
EP-04	PT 1/2"	21.0	15.0	18.8	10.5	22.0
EP-06	PT 3/4"	26.0	20.0	20.8	12.0	27.0
EP-08	PT 1"	34.2	26.0	24.8	14.5	36.0



## ■ 尺寸圖



## ■ 訂購代號

<b>EC</b>	<b>-</b>	<b>01</b>		<b>N</b>
銅頭消音器		配管尺寸		配管口螺牙
	<b>M5</b> : M5	<b>04</b> : 1/2"		空白 : PT
	<b>01</b> : 1/8"	<b>06</b> : 3/4"		<b>N</b> : NPT
	<b>02</b> : 1/4"	<b>08</b> : 1"		
	<b>03</b> : 3/8"			

機型	A	B	C	D	F	L	S
EC-M5	M5	3.0	12.0	4.0	5.0	20.0	8.0
EC-01	PT 1/8"	4.0	14.0	7.0	6.0	24.0	12.0
EC-02	PT 1/4"	4.0	18.0	10.0	8.0	30.0	16.0
EC-03	PT 3/8"	5.0	21.0	11.0	9.0	35.0	18.0
EC-04	PT 1/2"	6.0	28.0	15.0	10.0	44.0	24.0
EC-06	PT 3/4"	8.0	32.0	20.0	10.0	50.0	30.0
EC-08	PT 1"	8.0	43.0	25.0	12.0	63.0	36.0

相關元件

線圈

線圈

線圈接線盒

防爆線圈

接頭

消音器

P管/N管

油壓緩衝器