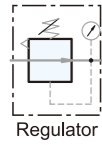


Symbol



Features

1. Constant and stable fluid pressure control, smallest influence for outlet pressure while inlet pressure is unstable.
2. Precision pressure setting, sensitivity within $\pm 0.5\%$ F.S.
3. Suitable for high precision tension control, balanced air pressure application.

Note: Please install filter UF series upstram to prevent from damage of water or dirt , so as for longer life of the pneumatic unit.



How to order

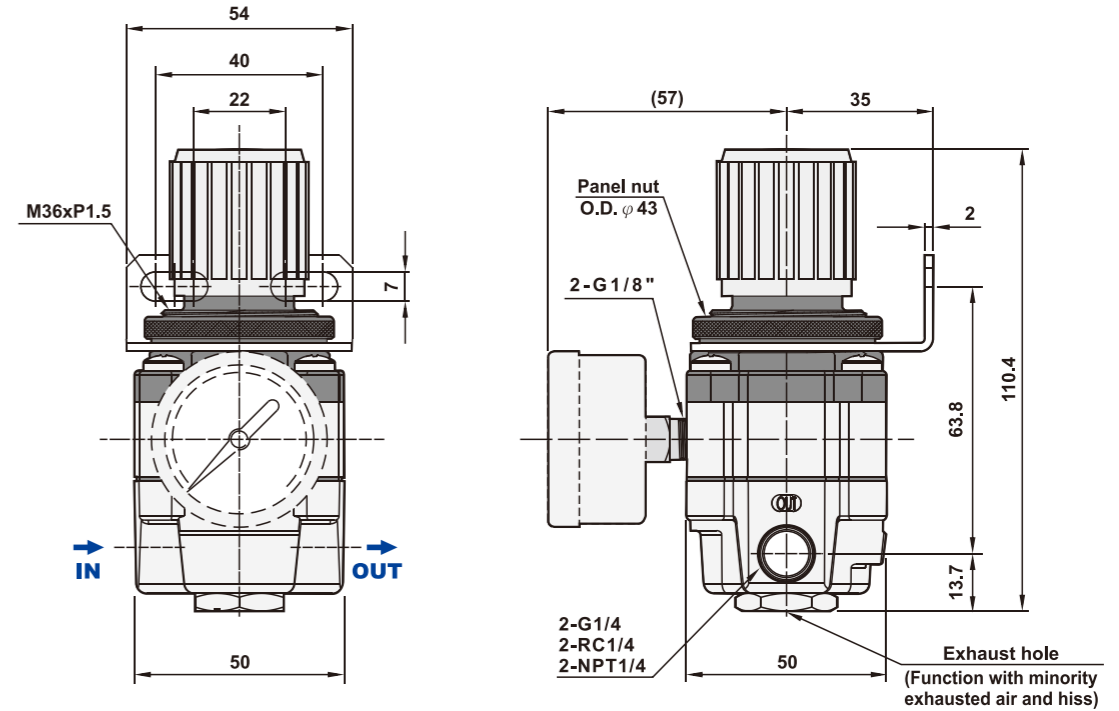
URP	—	02	N	B	G
Precision Regulator		Port size	Thread	Mounting bracket	Pressure gauge
URP		: 0.1~8kgf/cm ²	Blank : G	Blank : W/O bracket	Blank : W/O gauge
URPL4		: 0.1~4kgf/cm ²	N : NPT	B : W/I bracket	G : W/I gauge
URPL2		: 0.05~2kgf/cm ²	R : Rc		

Specifications

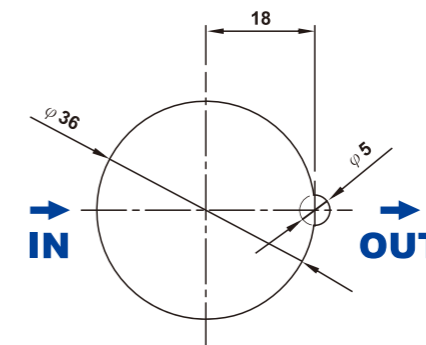
Model	URP-02	URPL4-02	URPL2-02
Port size		1/4"	
Fluid		Compressed air	
Regulator construction		Diaphragm	
Body material		Aluminum die-cast	
Operating pressure range	0.1~8 kgf/cm ²	0.1~4 kgf/cm ²	0.05~2 kgf/cm ²
Proof pressure		10 kgf/cm ²	
Sensitivity		0.2% (F.S.)	
Repeatability (switch output)		$\pm 0.5\%$ (F.S.)	
Ambient temperature		-5°C ~ 60°C	
Standard color of regulating knob	Blue	Orange	Yellow
Net weight	345g (Exclusive of pressure gauge, mounting bracket)		
Accessories	Plug, Panel mounting nut		
Option	Mounting bracket, pressure gauge (Please refer to P1-72 for selection)		

Dimensions

URP-02

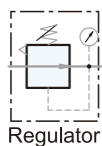


Panel Bore Size



Thickness: Max. 3.5

■ Features



Regulator

■ Features

1. Miniature and compact size regulator.
2. Outlet pressure scale on regulator body, no need to install pressure gauge.
3. Quick setting pressure in 3/4 cycle.



UIR2B

UIR2B-H

■ How to order

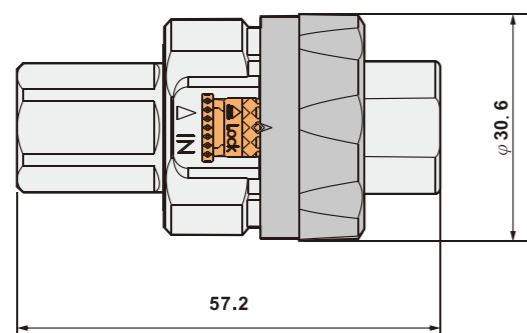
UIR2B	-	H	02	N
In-Line Regulator	Inlet Pressure	Port size	Thread	
Thread Type	Blank : Under 10kgf/cm ² H : Under 25kgf/cm ²	02 : 1/4"	Blank : G N : NPT R : Rc	

■ Specifications

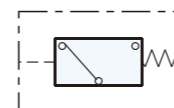
Model	UIB2B	UIB2B-H
Piping	1/4"	
Fluid	Compressed air	
Regulator construction	Piston	
Body material	Aluminum alloy	
Operating pressure range	2.0 ~ 8.0 kgf/cm ²	
Proof pressure	10 kgf/cm ²	25 kgf/cm ²
Max. flow rate	650 l/min	
Ambient temperature	-10°C ~ 60°C	
Net weight	105g	

■ Dimensions

UIR2B, UIR2B-H



■ Features



■ Features

1. Easy operation and safe.
2. Compact size for simple installation.
3. Stable Pressure setting.

■ How to order

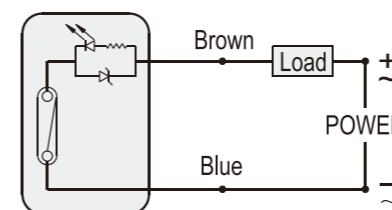
MAL - 07	N	L
Pressure Switch	Thread	Pressure setting
	Blank : Rc N : NPT	Blank : OFF L : ON



■ Specifications

Model	MAL-07
Port size	1/8"
Fluid	Compressed air
Body material	Aluminum
Proof pressure	10Bar(10.2 kgf/cm ²)
Maximum pressure operating	7Bar(7.14 kgf/cm ²)
Pressure setting range	1~7Bar(1.02~7.14 kgf/cm ²)(OFF)
Hysteresis pressure	0.75Bar
Repeatability (switch output)	±0.15Bar
Ambient temperature	-5°C ~ 60°C
Net Weight	127g

■ Circuit diagram



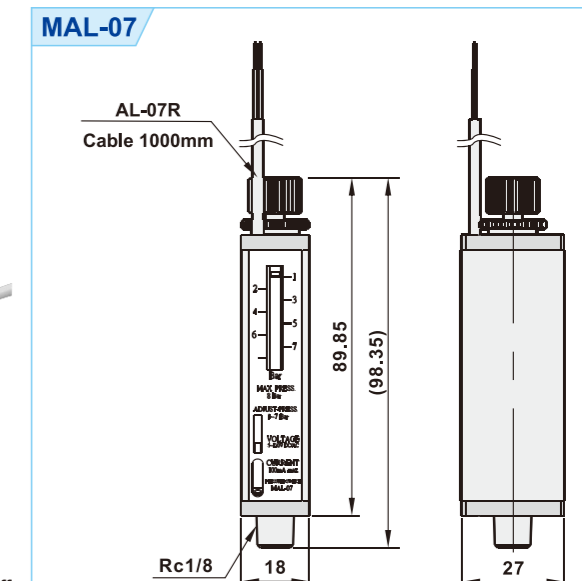
Sensor	AL-07R
Voltage range	5~120VDC/AC
Max. current	100mA
Max. Contact rating	10W(VA)



■ Pressure setting notice

1. OFF: When pressure drop to the setting value, the LED indicator is off.
2. ON: When pressure rise to the setting value, the LED indicator is on.

■ Dimensions





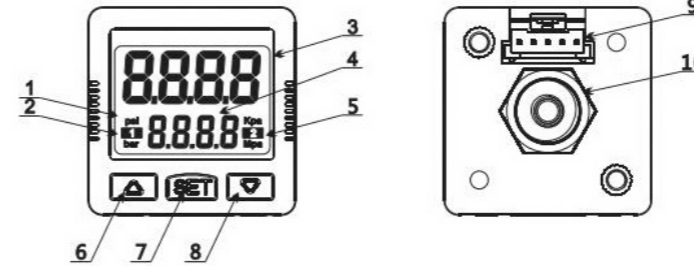
How to order

ZCDPS	- 210	R	N	-	□
Pressure Switch	Setting range	Port size	Output	Mounting	
	201 :-100~100kPa 210 :0.000~1.000MPa	R : R1/8 (M5 thread) N : NPT1/8 (M5 thread) G : G1/8 (M5 thread)	N : NPNx2 P : PNPx2 V : NPN+Analog1~5V A : NPN+Analog4~20mA B : PNP+Analog4~20mA W : PNP+Analog1~5V	Blank : W/O bracket Z : L type S : S type	

Specifications

Model	ZCDPS-201	ZCDPS-210	
Pressure Measure	Range of measure	-100~100KPa	-0.100~1.000MPa
	Setting range	-100~100KPa	0.000~1.000MPa
	Withstand pressure	1500kPa	
	Pressure type	Non-flammable, non-corrosive gas, gauge pressure measurement	
	Measure accuracy	±2% F. S. (Ambient temperature 25°C)	
	Temperature error	±3% F. S. (Temperature range 0~50°C)	
	Measure pattern	Hysteresis mode	
Port size	External R1/8, NPT1/8, G1/8 option, internal thread M5		
Display	Brifd description	Double LCD display	
	Status display	4-digital measurement value, unit display, output status display	
	Display model	Adjustable backlight, 4 groups of display models	
Input power	Voltage range	12~24VDC ± 10%	
	Power consumption	40mA Max (non-load)	
Output signal	Transistor output	NPN open-collector output Output current: 80mA MAX Voltage drop: ≤ 1V	PNP open-collector output Output current: 80mA MAX Voltage drop: ≤ 1V
	Analog output	Voltage output Singal ampliude: 1~5V Load resistance: ≥ 1KΩ	Current output Singal ampliude: 4~20mA Load resistance: ≤ 400Ω
	Response time	Adjustable: 2.5ms, 20ms, 100ms, 500ms, 1000ms, 2000ms	
	Short-circuit protection	Yes	
Environmetal resistance	IP level	IP40	
	Ambient temperature	Operating temperature 0~50°C, storage temperature -20~60°C	
	Ambient humidity	Operating humidity 35~80%RH	
	Insulation voltage	1000VAC 1min	
	Insulation resistance	≥ 50MΩ (500VDC)	
	Shock	Max 100m/s ² , 3 times each in 6 directions of X, Y and Z	
Vibration	Amplitude 1.5mm, 10HZ~500HZ, 2 hours each direction of X, Y and Z		

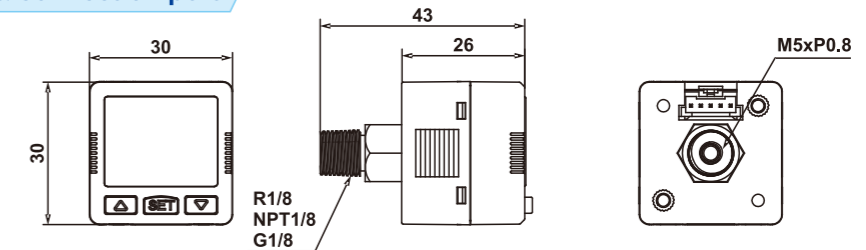
Panel



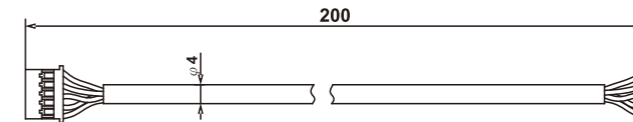
NO.	Name
1	Pressure Unit
2	Output 1 indicator
3	Main Display section
4	Sub-display section
5	Output 2 indicator
6	Button
7	Setting Button
8	Button
9	Electric Interface
10	Pressure port

Dimensions

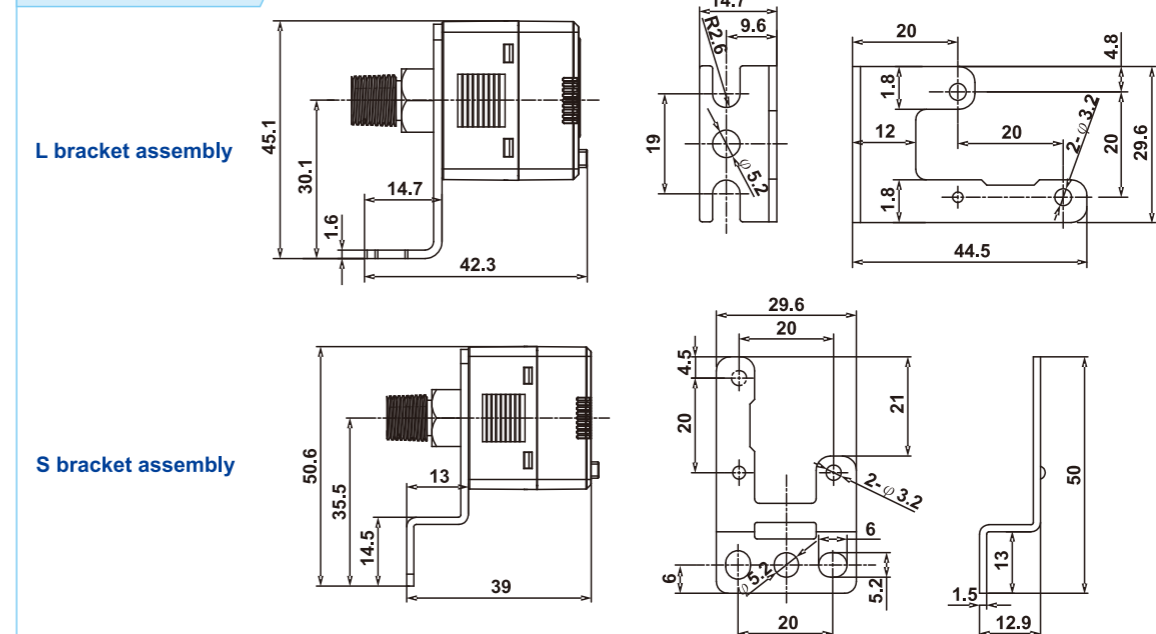
Overall dimensions & connection port



Wire dimensions



Mounting bracket



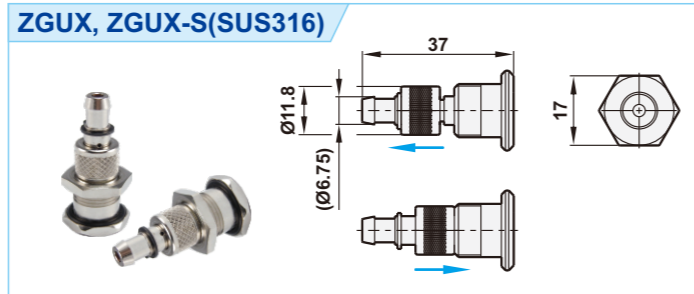
Pressure gauge

Part no.	Application	Dimension
KUX0000020	Miniature FRL series	1/8", Ø42mm
KUX0000030	U series, UC series	1/4", Ø53mm
KUX0000046	USFR Stainless steel FRL series	2"x20kgx1/4" SUS304
KUX0000053	USFR Stainless steel FRL series	2"x30kgx1/4" SUS304
KUX0000050	SSFR Miniature stainless steel FRL series	1/8", Ø42mm SUS304
KUX0001010	Miniature C series, UCFLR series	1", 0~10bar, 27mm
KUX0002010	URPL2 Precision Regulator	1.5", 0~0.2Mpa, 1/8" PT
KUX0002011	URPL4 Precision Regulator	1.5", 0~0.4Mpa, 1/8" PT
KUX0002012	URP Precision Regulator	1.5", 0~1Mpa, 1/8" PT

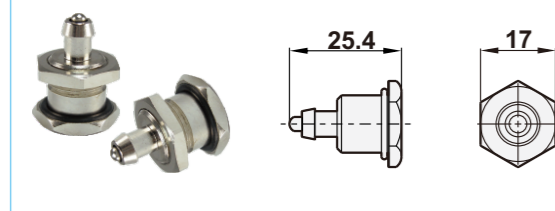


Semi-auto/Manual drain

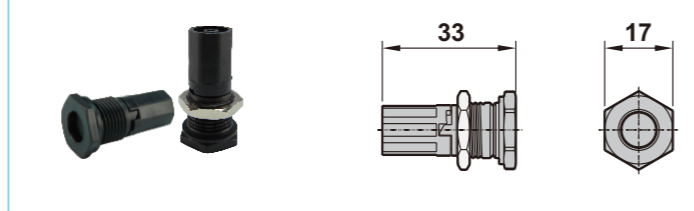
Part no.	Type	Port size
ZGUX	Manual	6mm (PU tube)
ZGUX-S	Manual	
ZGUX-1	Semi-auto	
ZGUX-2	Semi-auto	
ZGUX-3	Semi-auto	



ZGUX-1, ZGUX-3(SUS316)



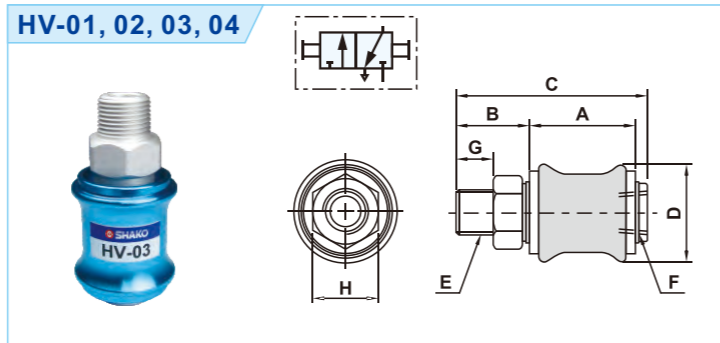
ZGUX-2



Sleeve valve

How to order

HV	—	02	N
Sleeve valve	Port size	Thread	
01	:1/8"	Blank :G	
02	:1/4"	N :NPT	
03	:3/8"	R :PT	
04	:1/2"		



*Apply to standard FRL series 1/8", 1/4", 3/8", 1/2"

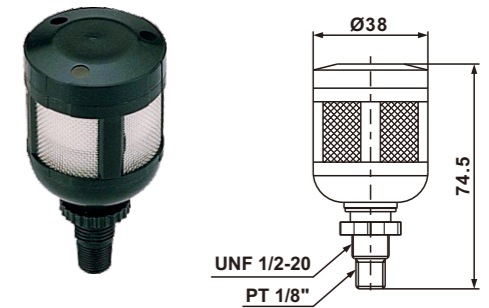
Part no.	Dimension	A	B	C	D	E	F	G	H
HV-01		30	17	50	Ø24.5	1/8"	1/8"	8	14
HV-02		32.5	22	58	Ø29.5	1/4"	1/4"	11	19
HV-03		39	26	68.5	Ø34.5	3/8"	3/8"	13.5	22
HV-04		50	32	85.5	Ø44.5	1/2"	1/2"	16.5	30

Automatic drain

Features

1. Completely drain water together with polluted particles and oils at once without remnants on filter bowl.
2. Automatically remove remaining water on filter bowl after air pressure is shut off.
3. Working pressure: 0.5~9.9kgf/cm².
Proof pressure: 15kgf/cm².
Ambient temperature: -5 ~ +60 (No freezing).

Part no.	Thread	Color
D0014W	14mm (Male thread)	Black

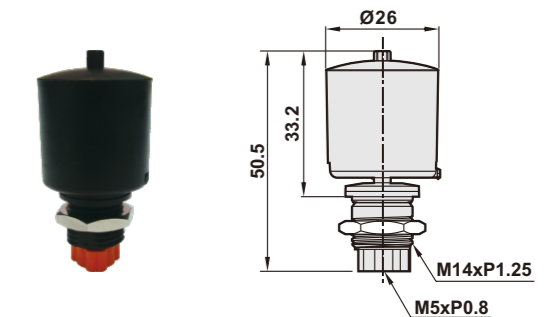


Miniature automatic drain

Features

1. Working pressure: 0.8 ~ 10 kgf/cm².
 2. Leverage design and electrical power free, shorter and smaller than competitors' products.
 3. Discharge capacity: 3 ~ 5cc/time.
- *Suitable for: For Miniature A series, Miniature C series.

Part no.	Thread	Color
AD-01	M5xP0.8	Black+Orange



Connecting seat

Part no.	Application	Content
ZGFR-500A-03	A series miniature FRL	Seat with O-ring

*Remark: To install AD-01 miniature automatic drain on A series miniature FRL, the connecting seat is necessary to be installed between the filter bowl and the filter body.



Spacer block

Part no.	Application	Content
ZGUFR02SB	UFR/L-02, 03, 04	Block, O-ring, Screw, Washer, Plug
ZGUFR06SB	UFR/L-06, 08	Block, O-ring, Screw, Washer, Plug
ZGUCFR03SB	UCFR series	Spacer Block, O-ring, Screw, Plug



Closed block

Part no.	Application	Content
ZGUCFR03CB	UCFRL-02, 03, 04	Closed block, O-ring, Screw



Filter bowl

Part no.	Application	Content
ZGUF-02B	UC / U series (1/4", 3/8", 1/2")	Bowl with O-ring
ZGUF-06B	U series (3/4", 1")	
ZGUF-02BA (Anti-acid & Alkali bowl)	UC / U series (1/4", 3/8", 1/2")	
ZGUF-06BA (Anti-acid & Alkali bowl)	U series (3/4", 1")	
ZGUF-02BAL (Aluminum bowl)	U series (1/4", 3/8", 1/2")	
ZGUF-06BAL (Aluminum bowl)	U series (3/4", 1")	
ZGUCF-02GRAL (Aluminum bowl)	UC series (1/4", 3/8", 1/2")	
ZGF200B	Miniature A series	
ZGF200BA (Anti-acid & Alkali bowl)	Miniature A series	
ZGF200BB	Miniature C series	
ZGUSF-04B	US Stainless steel series (1/4", 3/8", 1/2")	
ZGUSF-06B	US Stainless steel series (3/4", 1")	
ZGSSF-02B	SS Stainless steel miniature series	



Lubricator bowl

Part no.	Application	Content
ZGUL-02B	UC / U series (1/4", 3/8", 1/2")	Bowl with O-ring
ZGUL-06B	U series (3/4", 1")	
ZGUL-02BA (Anti-acid & Alkali bowl)	UC / U series (1/4", 3/8", 1/2")	
ZGUL-06BA (Anti-acid & Alkali bowl)	U series (3/4", 1")	
ZGUL-02BAL (Aluminum bowl)	U series (1/4", 3/8", 1/2")	
ZGUL-06BAL (Aluminum bowl)	U series (3/4", 1")	
ZGUCL-02GRAL (Aluminum bowl)	UC series (1/4", 3/8", 1/2")	
ZGL200B	Miniature A series	
ZGL200BA (Anti-acid & Alkali bowl)	Miniature A series	
ZGL200BB	Miniature C series	
ZGUSL-04B	US Stainless steel series (1/4", 3/8", 1/2")	
ZGUSL-06B	US Stainless steel series (3/4", 1")	
ZGUSL-02B	SS Stainless steel miniature series	



Filter element (Sintered brass)

Part no.	Application
KUS0032041 (40µm)	Miniature A series, Miniature C series
KUS0032042 (5µm)	Miniature A series, Miniature C series
KUN0010035 (40µm)	UC / U series (1/4", 3/8", 1/2")
KUN0010036 (5µm)	UC / U series (1/4", 3/8", 1/2")
KUB0008060 (40µm)	U series (3/4", 1")
KUB0008061 (5µm)	U series (3/4", 1")



Filter element (PE)

Part no.	Application
NUS0032041 (40µm)	Miniature A series, Miniature C series
NUS0032042 (5µm)	Miniature A series, Miniature C series
NUN0010035 (40µm)	UC / U series (1/4", 3/8", 1/2")
NUN0010036 (5µm)	UC / U series (1/4", 3/8", 1/2")
NUB0008064 (40µm)	U series (3/4", 1")
NUB0008063 (5µm)	U series (3/4", 1")



Filter element (SUS316)

Part no.	Application
NUN500151 (40µm)	US Stainless steel series (1/4", 3/8", 1/2")
KNU5000150 (5µm)	US Stainless steel series (1/4", 3/8", 1/2")
KUN6000100 (40µm)	US Stainless steel series (3/4", 1")
KUN6000101 (5µm)	US Stainless steel series (3/4", 1")
KUS0200091 (40µm)	SS Stainless steel miniature series
KUS0200090 (5µm)	SS Stainless steel miniature series

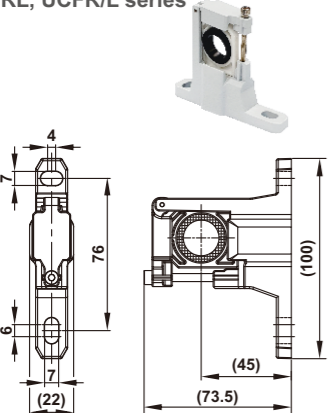
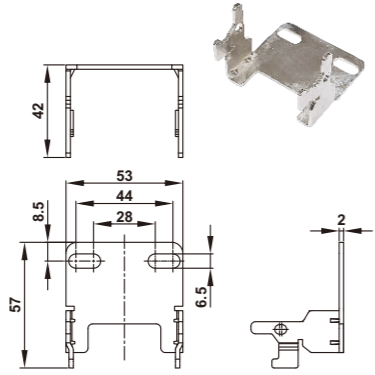
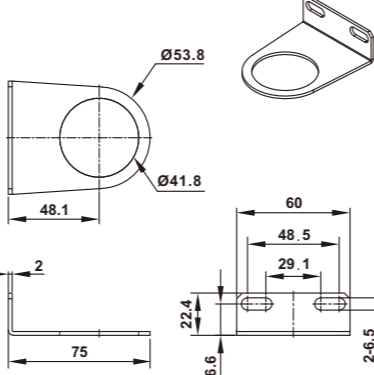
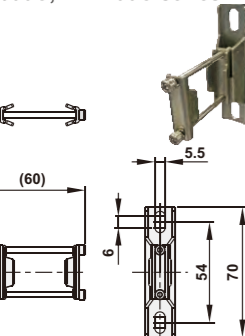
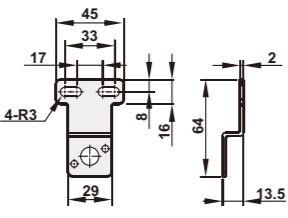
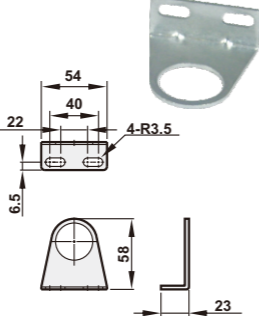
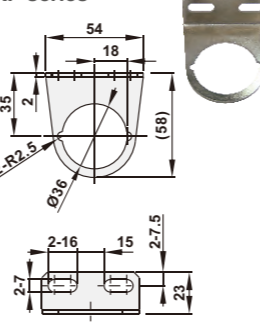
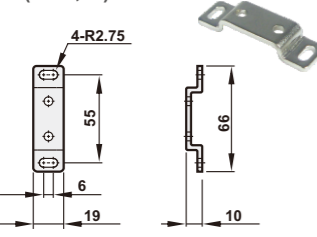
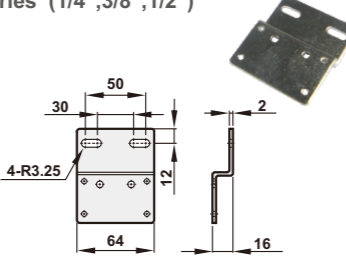
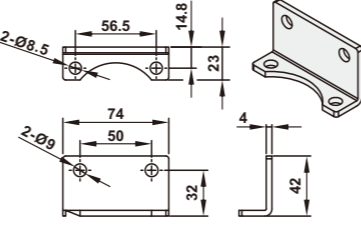
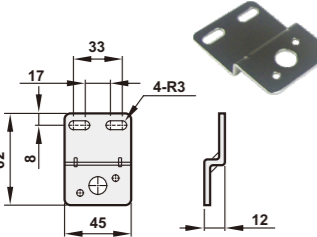
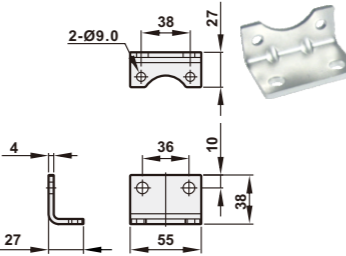
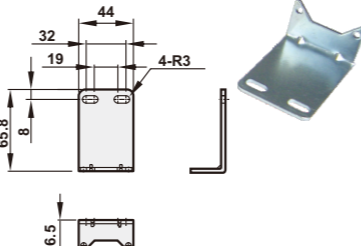


Glass fiber / Activated charcoal filter element

Part no.	Application	Content
ZH04H (0.01µm)	UCMF, UMF (1/4", 3/8", 1/2")	Glass fiber (Red)
ZH08H (0.01µm)	UMF (3/4", 1")	
ZH04H2 (0.1µm)	UCMF, UMF (1/4", 3/8", 1/2")	
ZH08H2 (0.1µm)	UMF (3/4", 1")	
ZH04HCA (0.01µm)	UCMF, UMF (1/4", 3/8", 1/2")	Activated charcoal (Green)
ZH08HCA (0.01µm)	UMF (3/4", 1")	



Mounting bracket

<p>ZGUCFR/L-03MAB UCFRL, UCFR/L series</p> 	<p>ZGUCFR-03MB UCFR, UCF, UCL series</p> 	<p>ZGUFR/L-02MB-1 UC, U, UH series (L type)</p> 	
<p>ZGFRL600CMB FRL600C, FRL700C series</p> 	<p>ZGFR500CMB FR500C, F200C, L200C series</p> 	<p>ZGR200MB R200, NR200 series</p> 	<p>ZGURP-02MB URP series</p> 
<p>ZGUFR/L-06MB U series (3/4", 1")</p> 	<p>ZGUFR/L-02MB U series (1/4", 3/8", 1/2")</p> 	<p>ZGUSFRC-08MB Stainless steel FRL series (3/4", 1")</p> 	
<p>ZGFR500AMB Miniature A series</p> 	<p>ZGUSFR/L-04MSB Stainless steel FRL series (1/4", 3/8", 1/2")</p> 	<p>ZGSSFR500MB, ZGFR500MB Miniature stainless steel FRL series</p> 	

Memo...

Blank area for notes with horizontal dashed lines.

