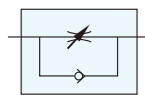


SV Series Speed Control Valve

Precise Type

Symbol



Features

- SV series valves provide the finest control of piston speed for cylinders.

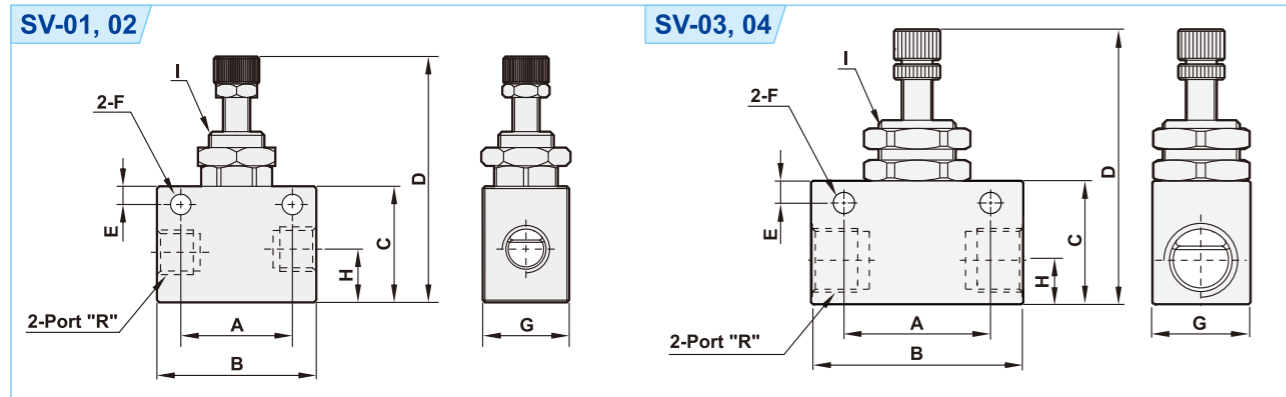
How to order

SV	-	01	N
Speed control valve (Precise type)	Port size	Thread	
	01 : 1/8"	Blank : G	
	02 : 1/4"	N : NPT	
	03 : 3/8"	R : Rc	
	04 : 1/2"		

Specifications

Model	SV-01	SV-02	SV-03	SV-04
Port size	1/8"	1/4"	3/8"	1/2"
Body material	Aluminum alloy			
Fluid	Compressed air			
Sectional area	3.8mm ²	6mm ²	38mm ²	48mm ²
Operating pressure range	0 ~ 9.9 kgf/cm ²			
Proof pressure	10 kgf/cm ²			
Ambient temperature	-10°C ~ 80°C			

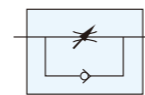
Dimensions



Model	R	A	B	C	D	E	F	G	H	I
SV-01	1/8"	24.5	35	25.5	58	4	φ 4.5	19	11.7	M12xP1.0
SV-02	1/4"	24.5	35	25.5	58	4	φ 4.5	19	11.7	M12xP1.0
SV-03	3/8"	38	52	32	72.8	4.8	φ 5.5	24	14.2	M18xP1.25
SV-04	1/2"	38	52	36	80.5	5.5	φ 5.5	28	15.2	M22xP1.25

S Series Speed Control Valve

Symbol



Features

- The valve provides best way to control piston speed of cylinder.
- Non-return mechanism which allows full flow in one direction.

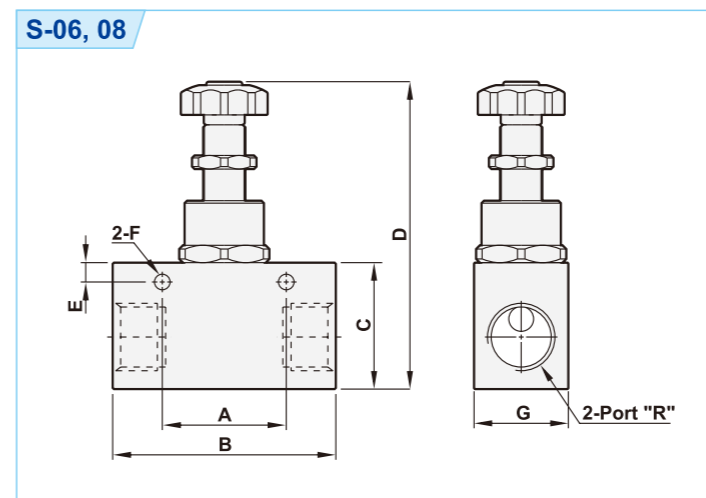
How to order

S	-	06	N
Speed control valve	Port size	Thread	
	06 : 3/4"	Blank : G	
	08 : 1"	N : NPT	
		R : Rc	

Specifications

Model	S-06	S-08
Port size	3/4"	1"
Body material	Aluminum alloy	
Fluid	Compressed air	
Sectional area	43mm ²	
Operating pressure range	0 ~ 9.9 kgf/cm ²	
Proof pressure	10 kgf/cm ²	
Ambient temperature	-10°C ~ 80°C	

Dimensions



Model	S-06	S-08
R	3/4"	1"
A	50	50
B	90	90
C	51	51
D	124	124
E	7.8	7.8
F	φ 6.3	φ 6.3
G	38	38

Features

1. Workpiece gripping by compressed air without vacuum.
2. Non-contact suction to avoid fingerprint on workpiece.
3. Gripping for the workpiece with uneven surface or through holes is available.

Industrial Application

- Solar energy industry such as chips transferring.
- Food industry such as cooked or fresh food carrying.
- Paper and Printing industry, Printed circuit board industry.
- IT such as Smart Phone, Lens and Wafers carrying and transferring.

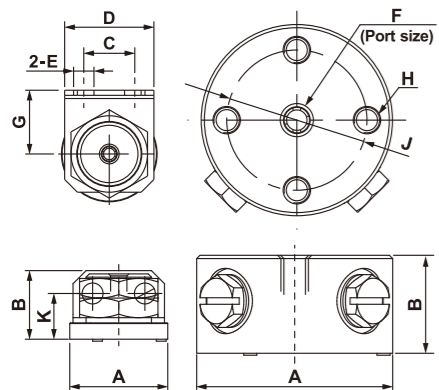
How to order

SCP - 10	Body diameter
Non contact suction pad	10 : ϕ 10 15 : ϕ 15 20 : ϕ 20 30 : ϕ 30 50 : ϕ 50

Specifications

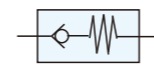
Model	SCP-10	SCP-15	SCP-20	SCP-30	SCP-50
Port size	M3		M5		G1/8
Mounting hole	-		M3*3		M4*4
Plug	-		M5*1		G1/8*2
Fluid	Compressed air				
Operating pressure range	0.1 ~ 0.7MPa				
Ambient temperature	-20°C ~ 60°C				
Body material	Aluminum alloy				

Dimensions



Model	A	B	C	D	E	F	G	H	J	K
SCP-10	ϕ 10	10	10	14	ϕ 2.2	M3	7	-	-	6.5
SCP-15	ϕ 15	10.5	8	14	ϕ 3.2	M3	10	-	-	7
SCP-20	ϕ 20	15	-	-	-	M5	-	M3	ϕ 15	-
SCP-30	ϕ 30	15	-	-	-	M5	-	M4	ϕ 22	-
SCP-50	ϕ 50	17.2	-	-	-	G1/8	-	M4	ϕ 40	-

Symbol



Features

1. Check ball mechanism allows fluid flowing in one direction only.

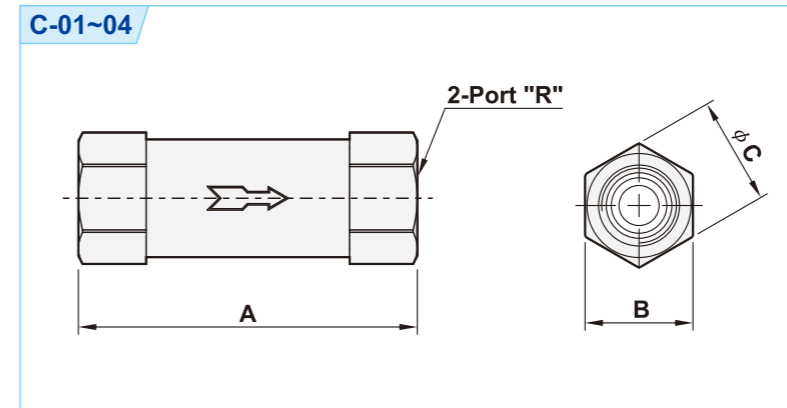
How to order

C - 01 N	Port size	Thread
Check valve	01 : 1/8" 02 : 1/4" 03 : 3/8" 04 : 1/2"	Blank : G N : NPT

Specifications

Model	C-01	C-02	C-03	C-04
Port size	1/8"	1/4"	3/8"	1/2"
Body material	Aluminum alloy			
Fluid	Compressed air			
Sectional area	10mm ²	23mm ²	38mm ²	56mm ²
Operating pressure range	0.3 ~ 8.0 kgf/cm ²			
Proof pressure	8 kgf/cm ²			
Ambient temperature	-10°C ~ 80°C			
Net weight	17g	27g	46g	82g

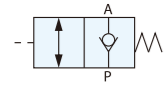
Dimensions



Model	C-01	C-02	C-03	C-04
R	1/8"	1/4"	3/8"	1/2"
A	47.0	50.0	65.0	65.0
B	14.0	17.0	22.0	27.0
ϕ C	15.5	18.5	24.5	29.5



Symbol



Features

1. Speed control valve and Pilot check valve are combined.
2. Pilot acting, control the piston of cylinder to stop moving instantly. Install the product directly on the air ports of cylinder.



VCP-02



VCP-03

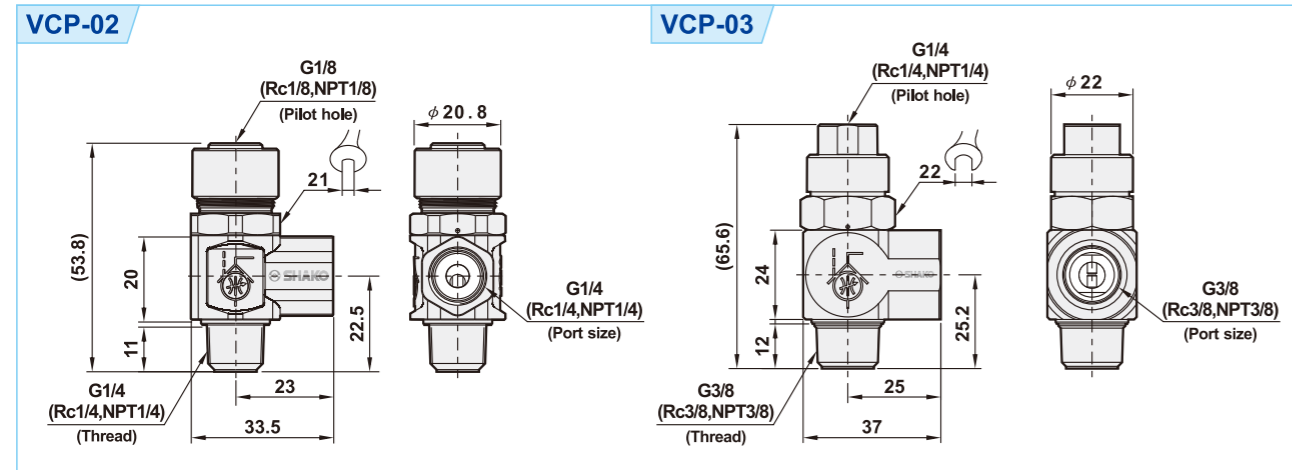
How to order

VCP	-	02	N
Pilot Check Valve	Port size	Thread	
	02 : 1/4"	Blank : G	
	03 : 3/8"	N : NPT	
		R : Rc	

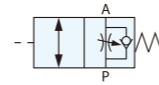
Specifications

Model	VCP-02	VCP-03
Port size	1/4"	3/8"
Body material	Zin alloy	Brass
Fluid	Compressed air	
Sectional area	14mm ²	39mm ²
Operating pressure range	1 ~ 10 kgf/cm ²	
Pilot pressure	1/2 x Operating pressure (Min:over 1kgf/ cm ²)	
Proof pressure	15 kgf/cm ²	
Ambient temperature	-5°C ~ 60°C	
Net weight	90g	102g

Dimensions



Symbol



Features

1. Speed control valve and Pilot check valve are combined.
2. Speed control valve can be installed directly on the cylinder ports to increase the stability of cylinder speed control, which is different from the general way of speed control from the solenoid valve at the other end.



VCPS-02



VCPS-03

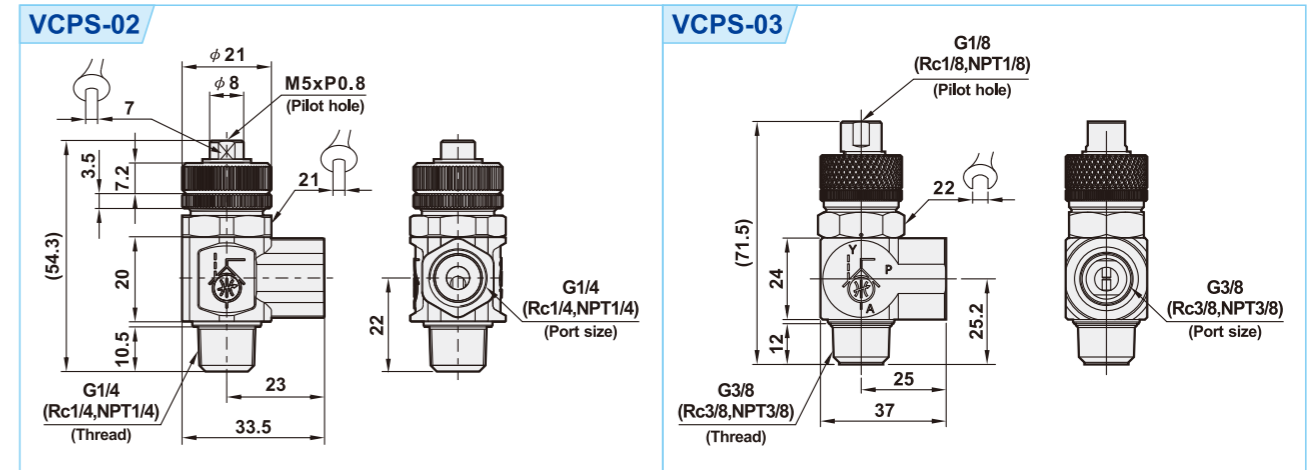
How to order

VCPS	-	02	N
Speed control valve	Port size	Thread	
	02 : 1/4"	Blank : G	
	03 : 3/8"	N : NPT	
		R : Rc	

Specifications

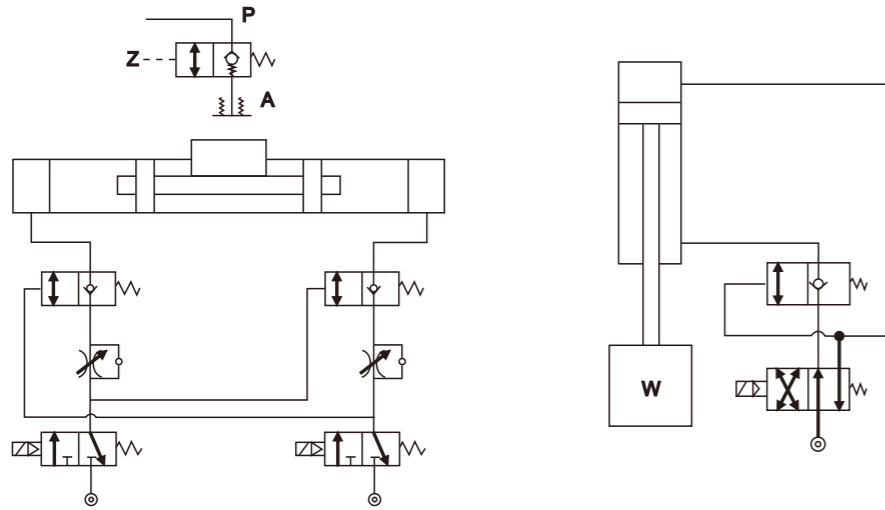
Model	VCPS-02	VCPS-03
Port size	1/4"	3/8"
Body material	Zin alloy	Brass
Fluid	Compressed air	
Sectional area	14mm ²	39mm ²
Operating pressure range	1 ~ 10 kgf/cm ²	
Pilot pressure	1/2 x Operating pressure (Min:over 1kgf/ cm ²)	
Proof pressure	15 kgf/cm ²	
Ambient temperature	-5°C ~ 60°C	
Net weight	100g	119g

Dimensions



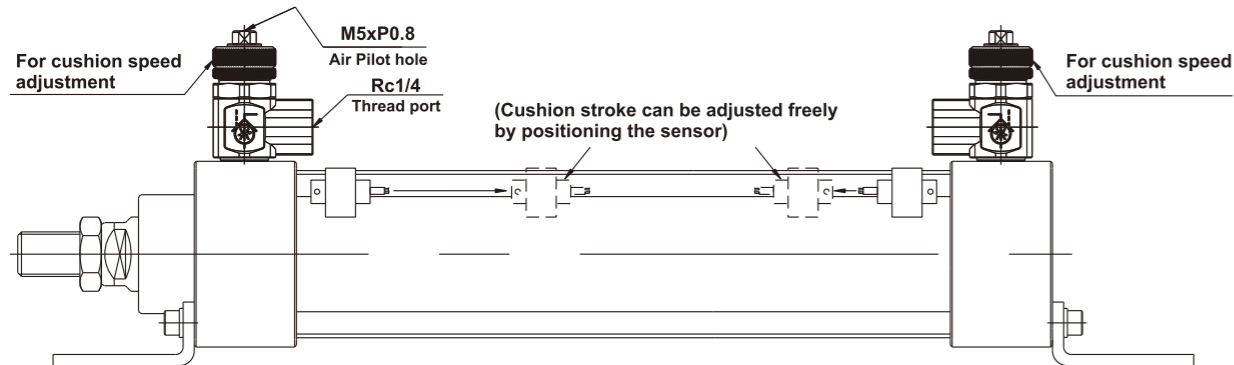
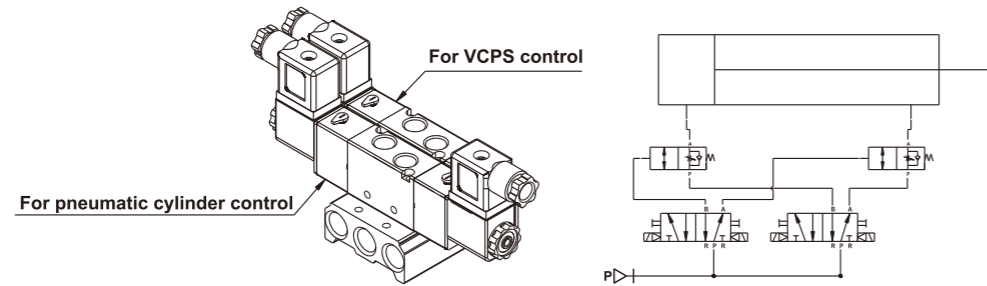
Application

VCP



VCPS

1. The cushion stroke and cushion speed for pneumatic cylinder can be adjusted freely by using VCPS speed control valve, solenoid valve and sensor.
2. When the magnetic piston in pneumatic cylinder is moving and detecting the sensor, the signal will be transmitted to the solenoid valve to open and close the pilot hole on VCPS speed control valve for requested cushion stroke and cushion speed control for pneumatic cylinder.



Memo...

Handwriting practice area consisting of multiple horizontal dashed lines.

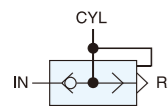


Control Valves

- Others
- SV
- S
- SCP
- C
- VCP
- VCPS
- Q
- ST
- VV

Quick Exhaust Valve

Symbol



Features

1. Increase piston speed instantly.
2. The valve is able to install on cylinder ports.



How to order

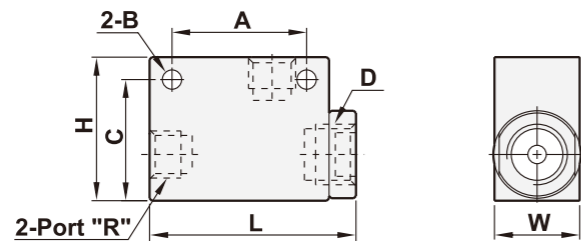
Q	-	01	N
Quick Exhaust Valve		Port size	Thread
		01 : 1/8" 04 : 1/2" 02 : 1/4" 06 : 3/4" 03 : 3/8"	Blank : G N : NPT R : Rc

Specifications

Model	Q-01	Q-02	Q-03	Q-04	Q-06
Port size	1/8"	1/4"	3/8"	1/2"	3/4"
Body material	Aluminum alloy				
Fluid	Compressed air				
Sectional area	16mm ²	27mm ²	28mm ²	71mm ²	72.5mm ²
Operating pressure range	0.5 ~ 9.9 kgf/cm ²				
Proof pressure	10 kgf/cm ²				
Max. flow rate (l/min)	886	1823	2300	3000	3848
Ambient temperature	-10°C ~ 80°C				

Dimensions

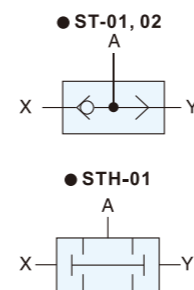
Q-01~06



Model	R	L	W	H	A	B	C	D
Q-01	1/8"	46	19	32	30	φ 4.3	27	G 1/4
Q-02	1/4"	61.5	25.4	38	39	φ 5.6	31.5	G 3/8
Q-03	3/8"	61.5	25.4	38	39	φ 5.6	31.5	G 3/8
Q-04	1/2"	98	38	63.7	60	φ 8.5	50.5	G 3/4
Q-06	3/4"	98	38	63.7	60	φ 8.5	50.5	G 3/4

Shuttle Valve & Double Pressure Valve

Symbol



Features

Shuttle valve

1. Check ball moves from high pressure inlet to low pressure inlet.
2. The valve provides two inlets for air supply.
3. Available port sizes G1/8", 1/4".

Double pressure valve

1. The valve provides X and Y inlet for double pressure supply.



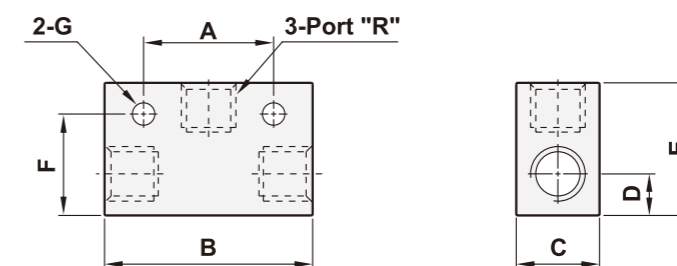
How to order

ST	-	01	N
ST : Shuttle valve		Port size	Thread
STH : Double pressure valve		01 : 1/8" 02 : 1/4"	Blank : G N : NPS R : Rc

Specifications

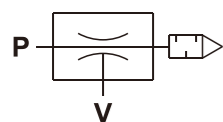
Model	ST-01	ST-02	STH-01
Port size	1/8"	1/4"	1/8"
Body material	Aluminum alloy		
Fluid	Compressed air		
Sectional area	7.5mm ²	21mm ²	14mm ²
Operating pressure range	1 ~ 9.9 kgf/cm ²		
Proof pressure	10 kgf/cm ²		
Ambient temperature	-10°C ~ 80°C		
Max. flow rate (l/min)	823	1583	857

Dimensions



Model	R	A	B	C	D	E	F	G
STH-01	1/8"	25	40	16	8	25.4	19.4	φ 4.3
ST-01	1/8"	25	40	16	8	25.4	19.5	φ 4.3
ST-02	1/4"	35	52	22	11	35	25	φ 5.5

Symbol



Features

1. Port sizes: 1/8", 1/4", 3/8"
2. Durable and long life (except the silencer on exhaust port).

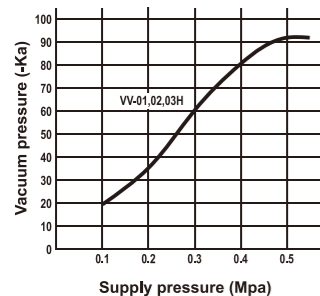


How to order

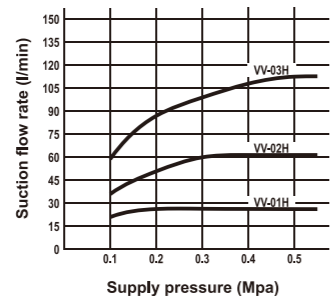
VV	-	01	N	H
		Port size	Thread	Standard type
		01 : 1/8"	Blank: G	
		02 : 1/4"	N : NPT	
		03 : 3/8"	R : Rc	

Characteristics Table

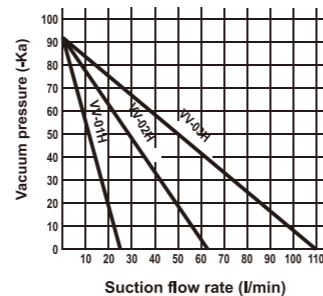
Vacuum pressure function



Max. Suction flow function



Vacuum function

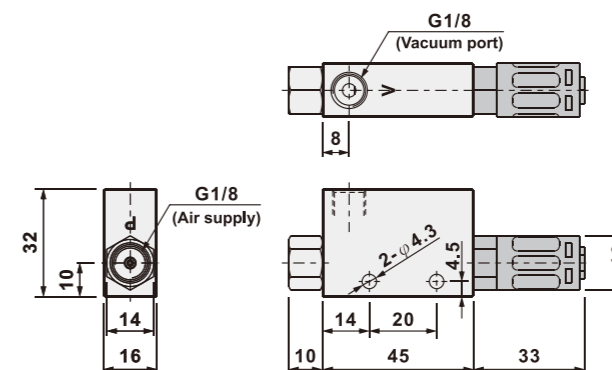


Specifications

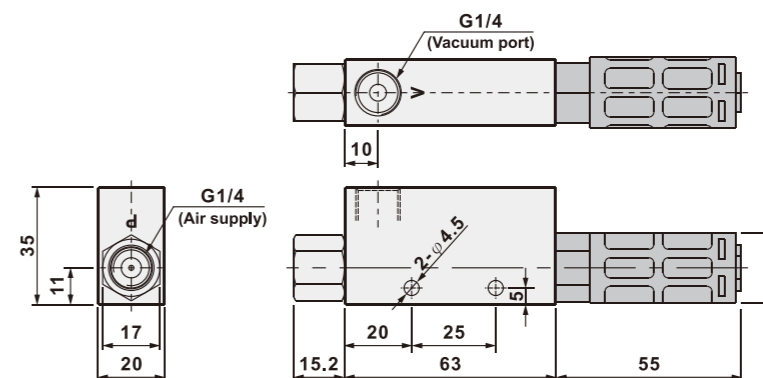
Model	VV-01H	VV-02H	VV-03H
Port size	1/8"	1/4"	3/8"
Body material		Aluminum alloy	
Fluid		Compressed air	
Ambient temperature		0°C ~ 60°C	
Working pressure		0.1 ~ 0.6Mpa	
Max. Vacuum degree		-91.8Kpa	
Nozzle diameter	φ 1.0	φ 1.5	φ 2.0
Air consumption (l/min)	50	120	210
Supply air pressure		0.5Mpa (5 kgf/cm ²)	
Net weight	72.1	138.5	368

Dimensions

VV-01H



VV-02H



VV-03H

