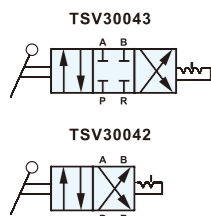


TSV Series

4/2, 4/3 Way Rotary Valve

Symbol



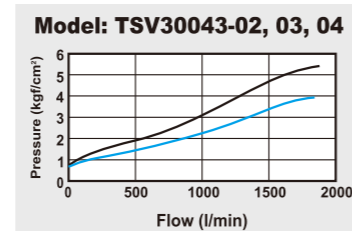
Features

- Simply operating.
- Large flow rate.
- High safety.
- Light weight.
- 4 kinds of installation.
- Twist lock is optional for safety operation.

How to order

TSV30043 - 02	N	B
TSV30043: 4/3 Way	Port size	Thread
TSV30042: 4/2 Way	02 : 1/4"	Blank: G
	03 : 3/8"	N : NPT
	04 : 1/2"	R : Rc
		Blank: Standard
		B : Ports on bottom
		C : With twist lock
		P : With panel mounting

Flow chart

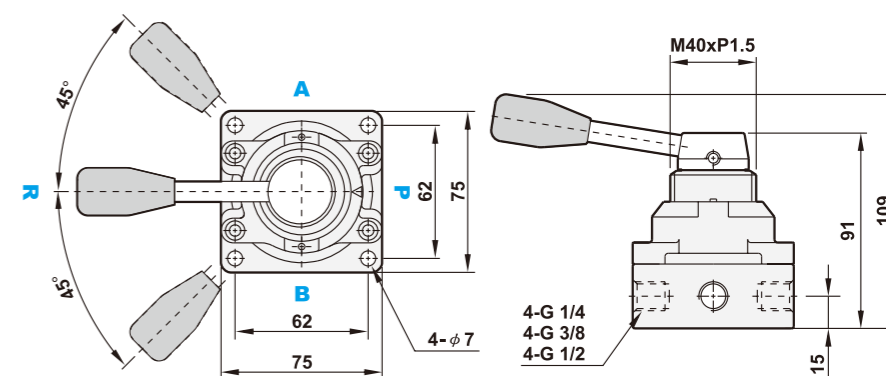


Specifications

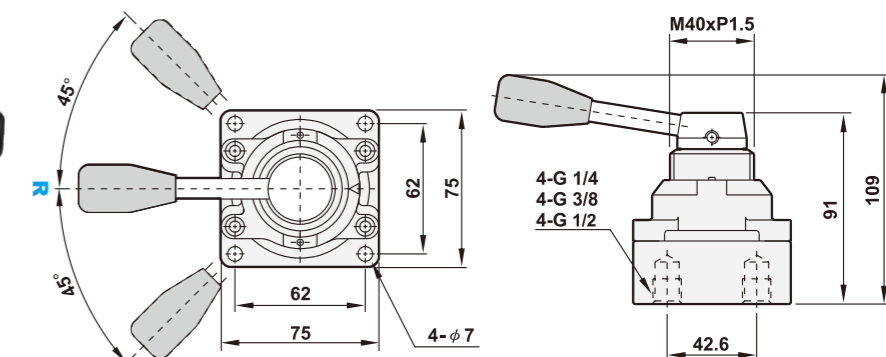
Model	TSV30043(2)-02	TSV30043(2)-03	TSV30043(2)-04
Port size	1/4"	3/8"	1/2"
Body material	Aluminum alloy		
Panel dimension	M40 x P1.5 (For panel mounting only)		
Fluid	Compressed air		
Sectional area	18mm ²		
Operating pressure range	0 ~ 9 kgf/cm ²		
Proof pressure	10kgf/cm ²		
Ambient temperature	-10°C ~ 60°C		
Net weight	600g	580g	560g

Dimensions

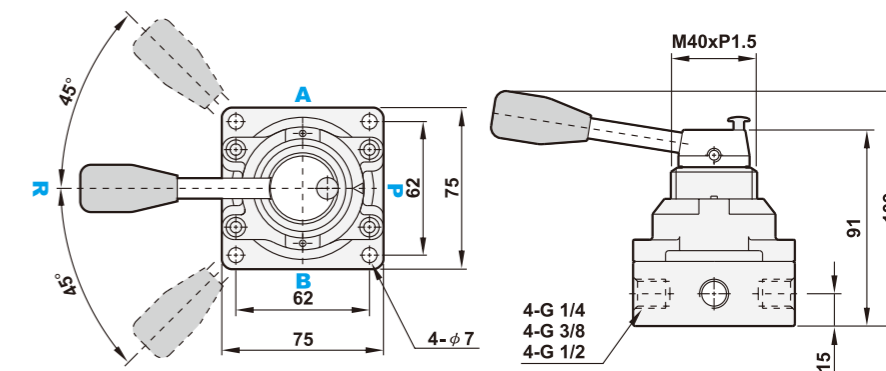
TSV30043-02,03,04



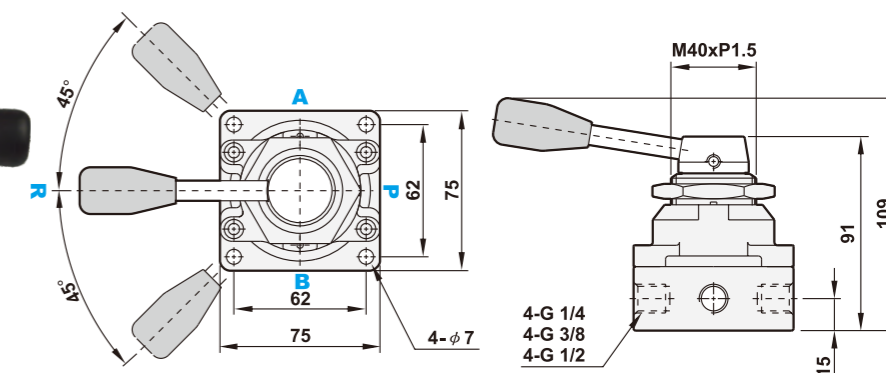
TSV30043-02,03,04 (B)



TSV30043-02,03,04 (C)

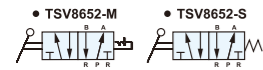


TSV30043-02,03,04 (P)



TSV Series 5/2 Way Hand Control Valve

Symbol



Features

1. Easy operation.
2. Large flow rate.
3. Suitable for vacuum operation.
4. Available for panel mounting.
5. Mounting bracket as optional accessory.
6. TSV8652R-01/02 for manifold assembly.



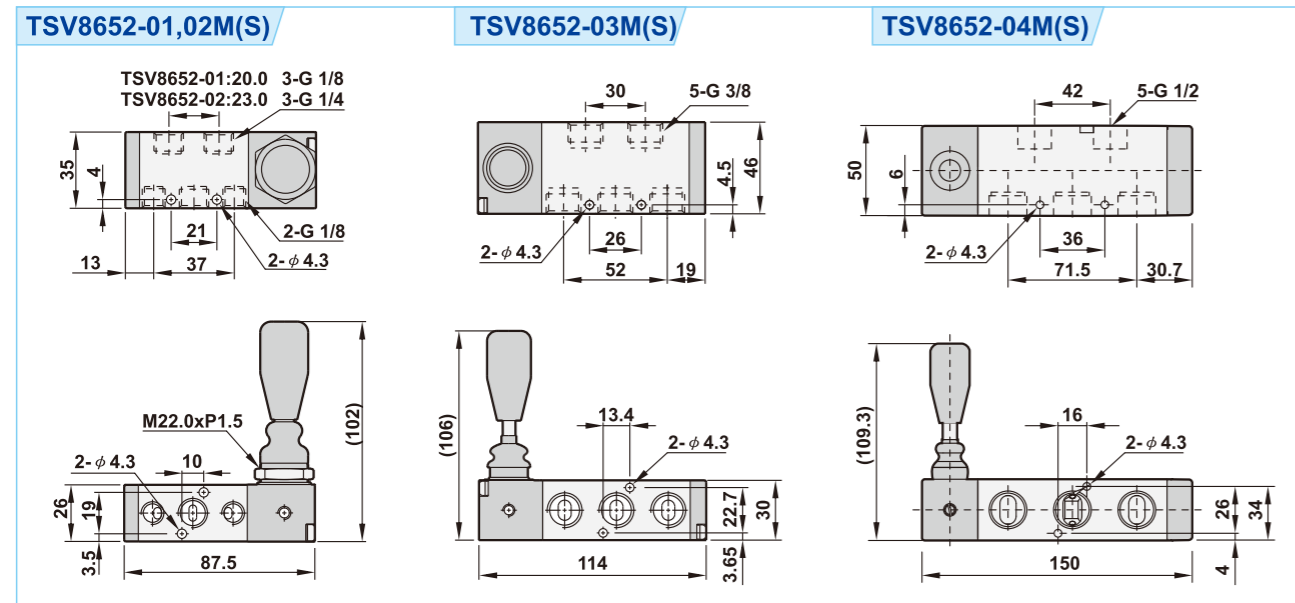
How to order

TSV8652	R	-	02	N	M	F
5/2 Way	Manifold		Port size	Thread	Acting	Mounting bracket
	Blank : Standard R : Manifold type (for 1/8", 1/4" port only)		01 : 1/8" 02 : 1/4" 03 : 3/8" 04 : 1/2"	Blank : G N : NPT R : Rc	S : Spring return M : Detent	Blank : W/O bracket F : W/I mounting bracket (For 1/8", 1/4" port only)

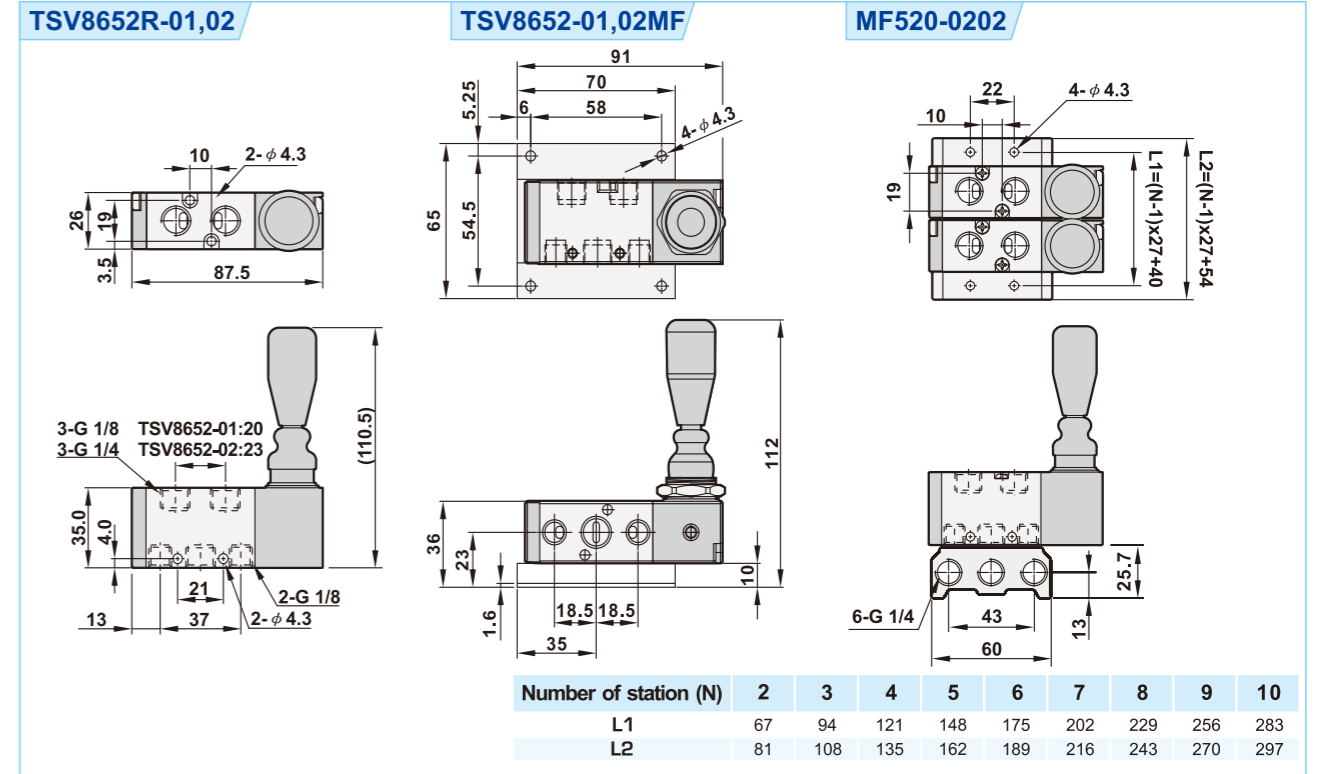
Specifications

Model	TSV8652(R)-01M(S)	TSV8652(R)-02M(S)	TSV8652-03M(S)	TSV8652-04M(S)
Port size	1/8"	1/4"	3/8"	1/2"
Body material	Aluminum alloy			
Fluid	Compressed air			
Sectional area	14mm ²	18mm ²	35mm ²	38mm ²
Operating pressure range	0 ~ 9 kgf/cm ²			
Proof pressure	10 kgf/cm ²			
Ambient temperature	-10°C ~ 60°C			

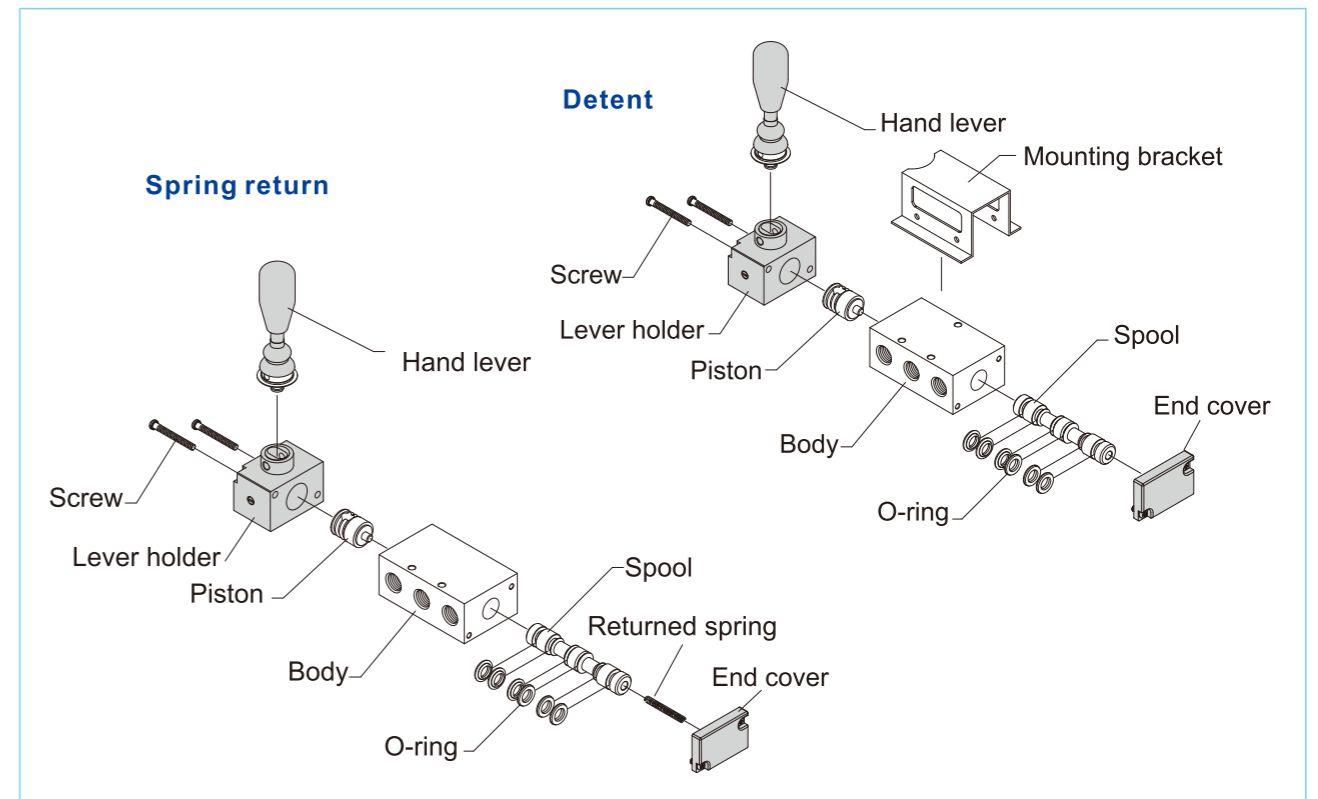
Dimensions



Dimensions



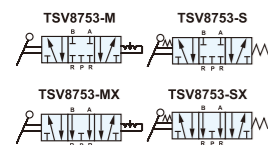
Explosion



TSV Series

5/3 Way Hand Control Valve

Symbol



Features

1. Easy operation.
2. Large flow rate.
3. Suitable for vacuum operation.
4. Mounting bracket as optional accessory.

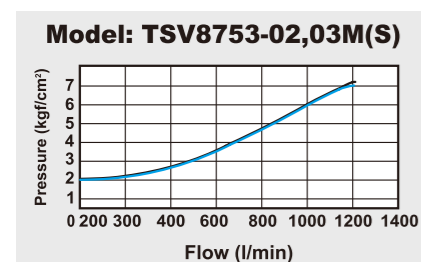
How to order

TSV8753	-	02	N	M
5/3 Way	Port size	Thread	Acting	
	02: 1/4"	Blank: G	S : Spring return	
	03: 3/8"	N : NPT	M : Detent	
	04: 1/2"	R : Rc	SX : Exhaust center, Spring return	
			MX : Exhaust center, Detent	

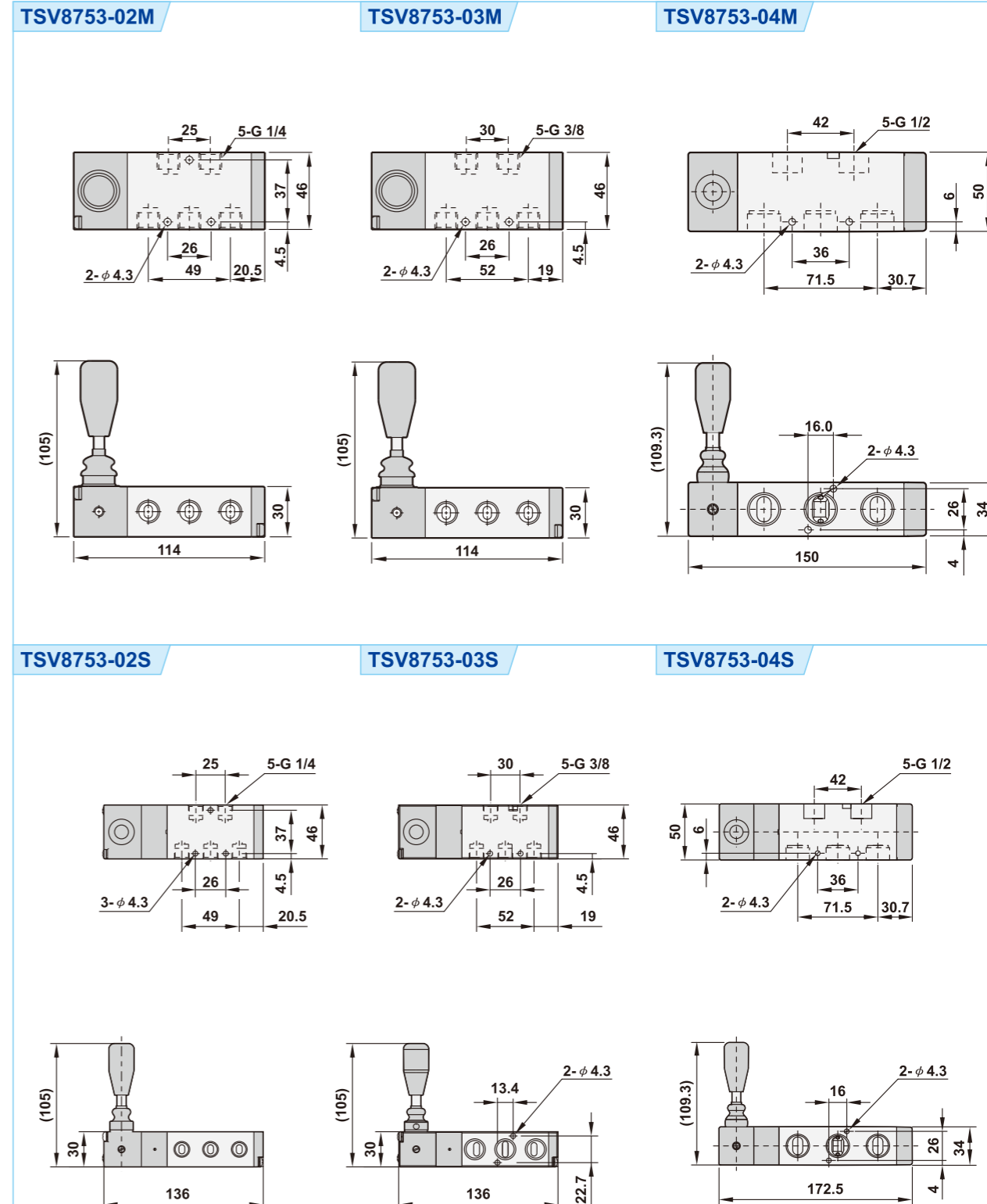
Specifications

Model	TSV8753-02M(S)	TSV8753-03M(S)	TSV8753-04M(S)
Port size	1/4"	3/8"	1/2"
Body material	Aluminum alloy		
Fluid	Compressed air		
Sectional area	18mm ²	35mm ²	38mm ²
Operating pressure range	0 ~ 9 kgf/cm ²		
Proof pressure	10 kgf/cm ²		
Ambient temperature	-10°C ~ 60°C		

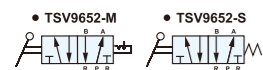
Flow chart



Dimensions



Symbol



Features

1. Easy operation.
2. Large flow rate.
3. Suitable for vacuum operation.
4. Available for panel mounting.
5. Mounting bracket as optional accessory.



How to order

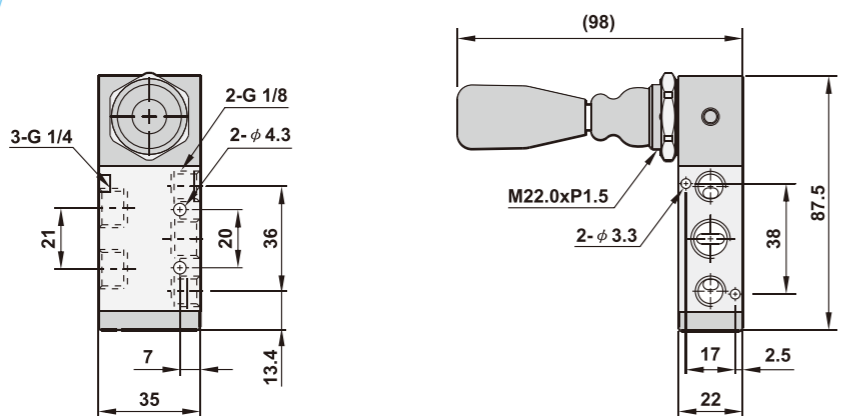
TSV9652 - 02	N	M	F
5/2 Way	Port size	Thread	Acting
	02: 1/4"	Blank: G N: NPT R: Rc	S: Spring return M: Detent
			Mounting bracket
			Blank: W/O bracket F: W/I mounting bracket

Specifications

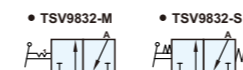
Model	TSV9652-02M(S)
Port size	1/4"
Body material	Aluminum alloy
Fluid	Compressed air
Sectional area	18mm ²
Operating pressure range	0 ~ 9 kgf/cm ²
Proof pressure	10 kgf/cm ²
Ambient temperature	-10°C ~ 60°C

Dimensions

TSV9652-02M(S)



Symbol



Features

1. Easy operation.
2. Large flow rate.
3. Suitable for vacuum operation.
4. Available for panel mounting.



How to order

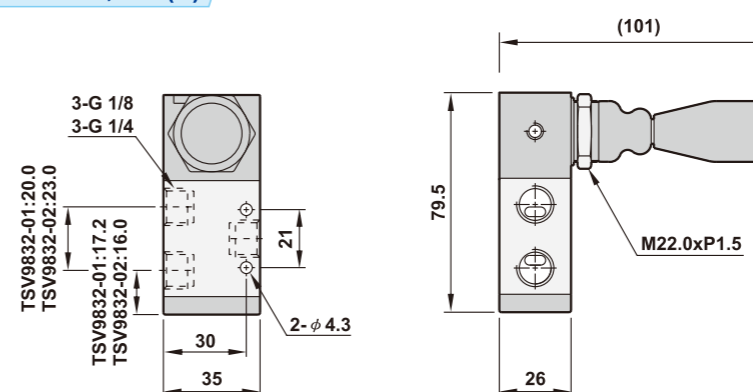
TSV9832 - 02	N	M
3/2 Way	Port size	Thread
	01: 1/8" 02: 1/4"	Blank: G N: NPT R: Rc
		Acting
		S: Spring return M: Detent

Specifications

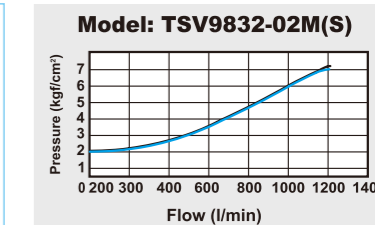
Model	TSV9832-01M(S)	TSV9832-02M(S)
Port size	1/8"	1/4"
Body material	Aluminum alloy	
Fluid	Compressed air	
Sectional area	18mm ²	
Operating pressure range	0 ~ 9 kgf/cm ²	
Proof pressure	10 kgf/cm ²	
Ambient temperature	-10°C ~ 60°C	

Dimensions

TSV9832-01,02M(S)

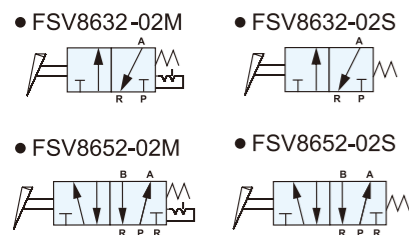


Flow chart



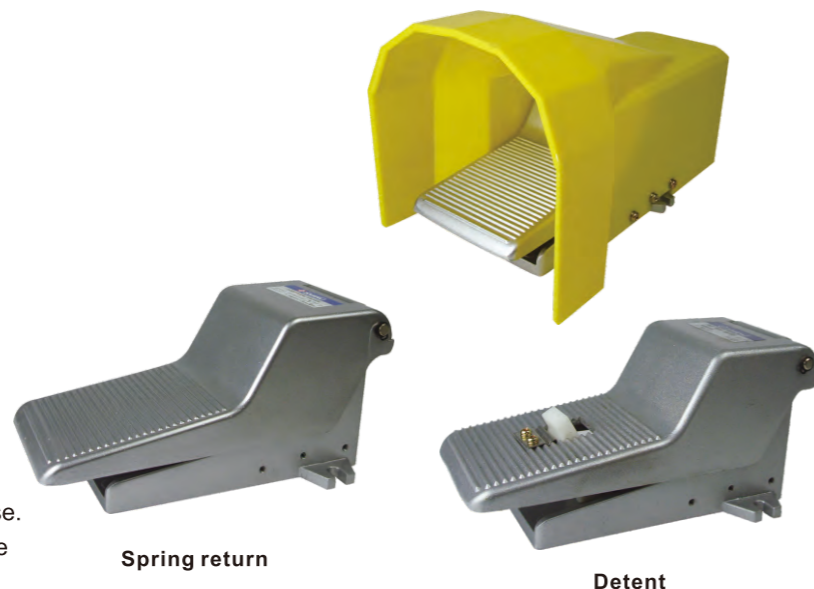
FSV Series 5/2, 3/2 Way Foot Pedal Valve

Symbol



Features

1. Aluminum alloy construction for durable use.
2. Available to be installed with polycarbonate protective guard.



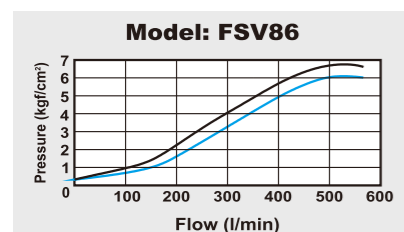
How to order

FSV8632 –	02	N	M	F
FSV8652 : 5/2 Way	Port size	Thread	Acting	Protective guard
FSV8632 : 3/2 Way	02: 1/4"	Blank: G N : NPT R : Rc	S : Spring return M : Detent	Blank : W/O guard F : W/ I guard

Specifications

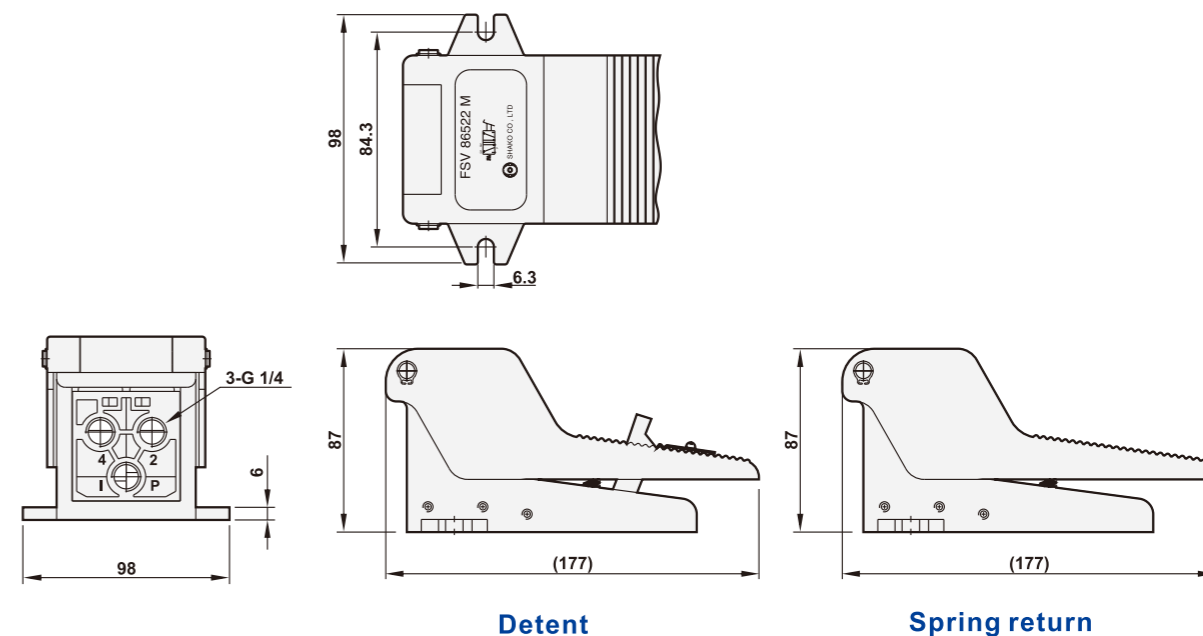
Model	FSV8632-02	FSV8652-02
Port size	1/4"	
Body material	Aluminum alloy	
Fluid	Compressed air	
Sectional area	12mm ²	
Operating pressure range	0 ~ 9 kgf/cm ²	
Proof pressure	10 kgf/cm ²	
Ambient temperature	-10°C ~ 60°C	

Flow chart

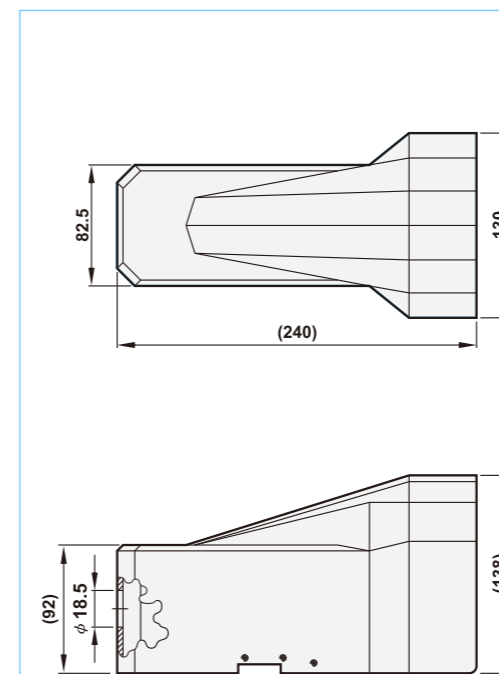


Dimensions

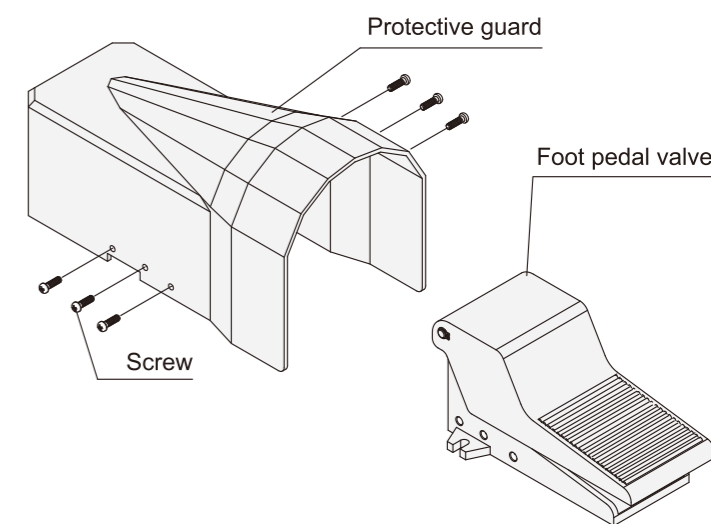
FSV8652-02M(S), FSV8632-02M(S)



Guard dimensions

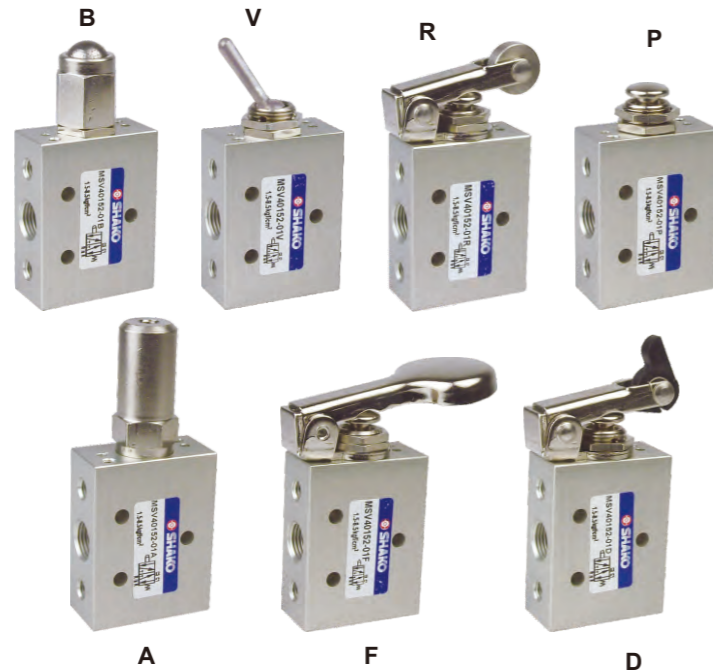


Explosion



Features

- 7 kinds of installation.
- Panel bore size $\phi 12$.



How to order

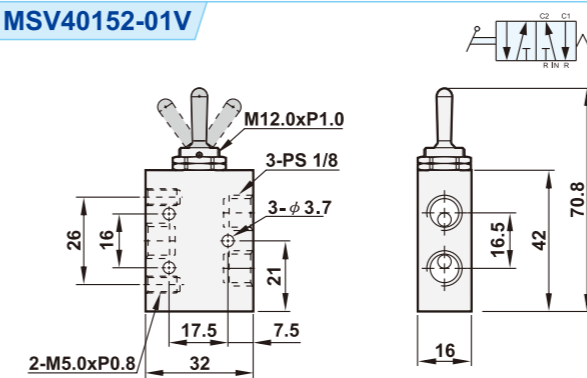
MSV40152 - 01	N	V	
5/2 Way	Port size	Thread	Operator
	01 : 1/8"	Blank : G N : NPT R : Rc	V : Toggle lever R : Roller P : Push button D : One way roller B : Ball plunger A : Air pilot F : Finger button

Specifications

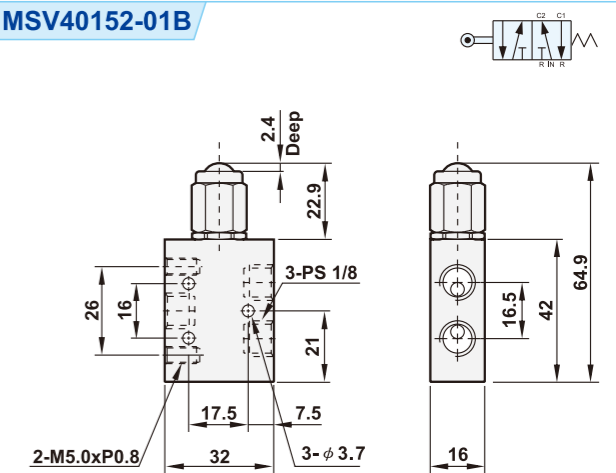
Model	MSV40152-01
Port size	1/8"
Body material	Aluminum alloy
Panel dimension	12mm
Fluid	Compressed air
Sectional area	6.3mm ²
Operating pressure range	0 ~ 9 kgf/cm ²
Air pilot operation	Starting pressure: 3.5 ~ 7.0 kgf/cm ²
Proof pressure	10 kgf/cm ²
Ambient temperature	-10°C ~ 60°C

Dimensions

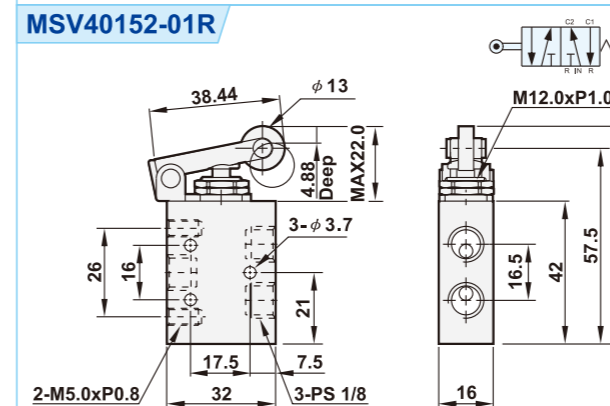
MSV40152-01V



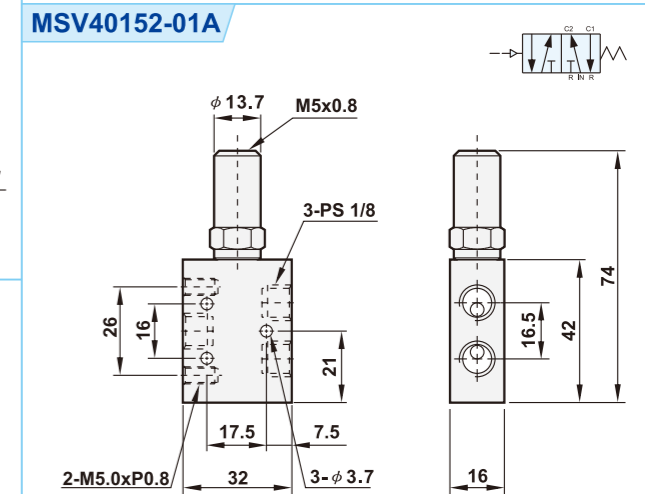
MSV40152-01B



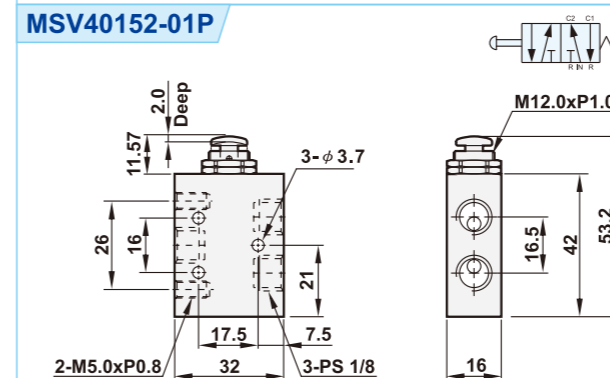
MSV40152-01R



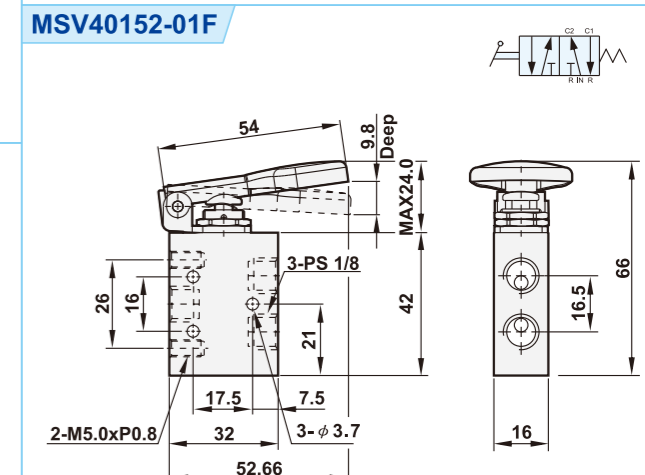
MSV40152-01A



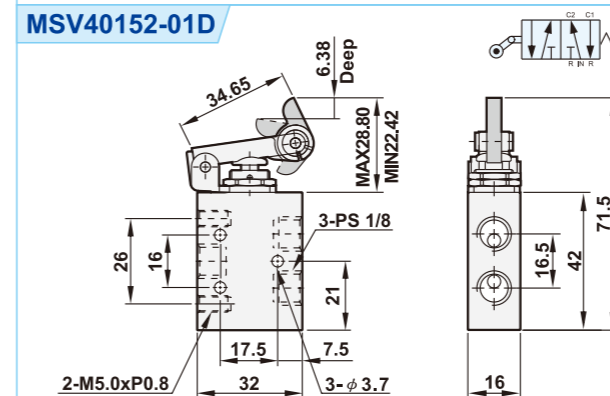
MSV40152-01P



MSV40152-01F



MSV40152-01D



Features

1. One valve is okay for N.O or N.C use.
2. 7 kinds of installation.
3. Panel bore size $\phi 12$.



How to order

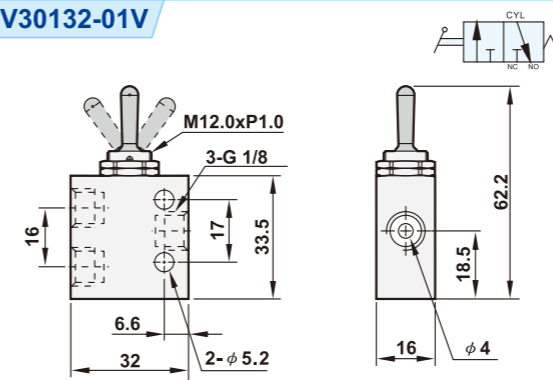
MSV30132 - 01	N	V
3/2 Way	Port size	Thread
	01 : 1/8"	Blank : G N : NPT R : Rc
		Operator
		V : Toggle lever B : Ball plunger R : Roller A : Air pilot P : Push button F : Finger button D : One way roller

Specifications

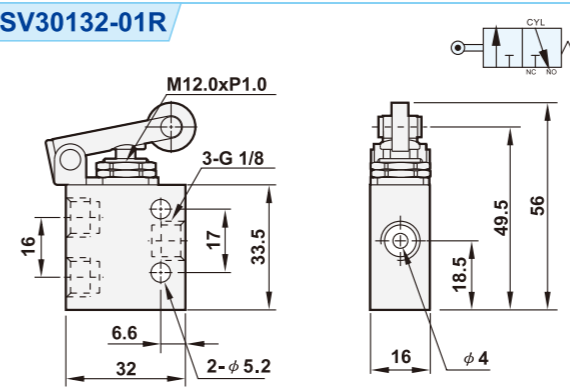
Model	MSV30132-01
Port size	1/8"
Body material	Aluminum alloy
Panel dimension	12mm
Fluid	Compressed air
Sectional area	5.5mm ²
Operating pressure range	0 ~ 9 kgf/cm ²
Air pilot operation	Starting pressure: 3.5 ~ 4.5 kgf/cm ²
Proof pressure	10 kgf/cm ²
Ambient temperature	-10°C ~ 60°C

Dimensions

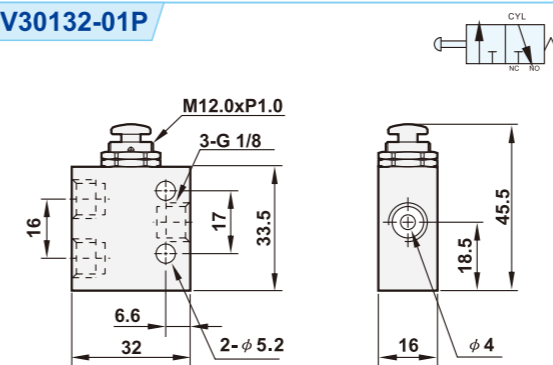
MSV30132-01V



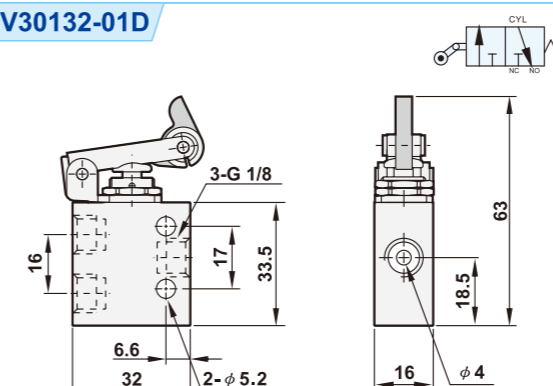
MSV30132-01R



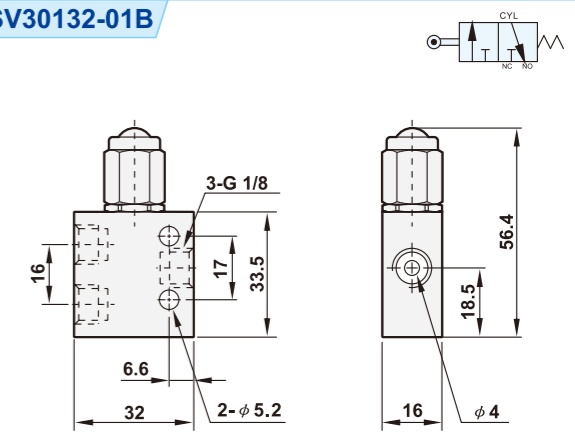
MSV30132-01P



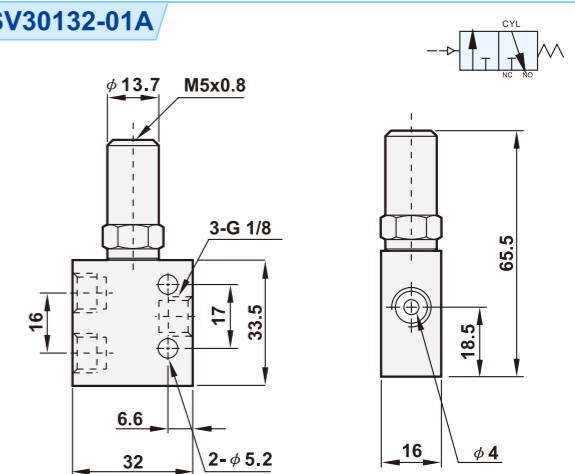
MSV30132-01D



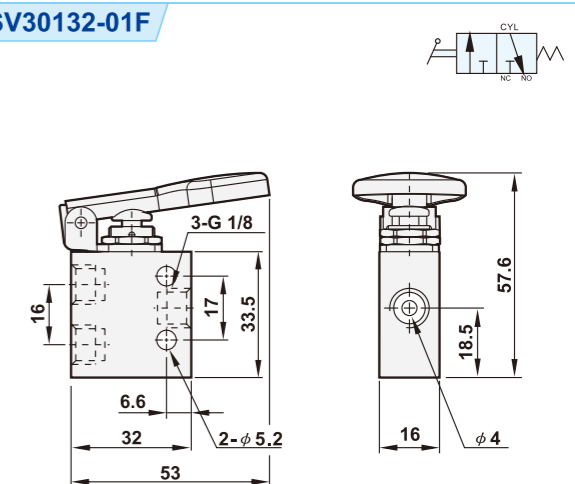
MSV30132-01B



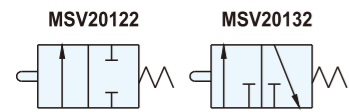
MSV30132-01A



MSV30132-01F



Symbol



Features

1. Miniature and compact size.
2. Quick response with large flow rate.



How to order

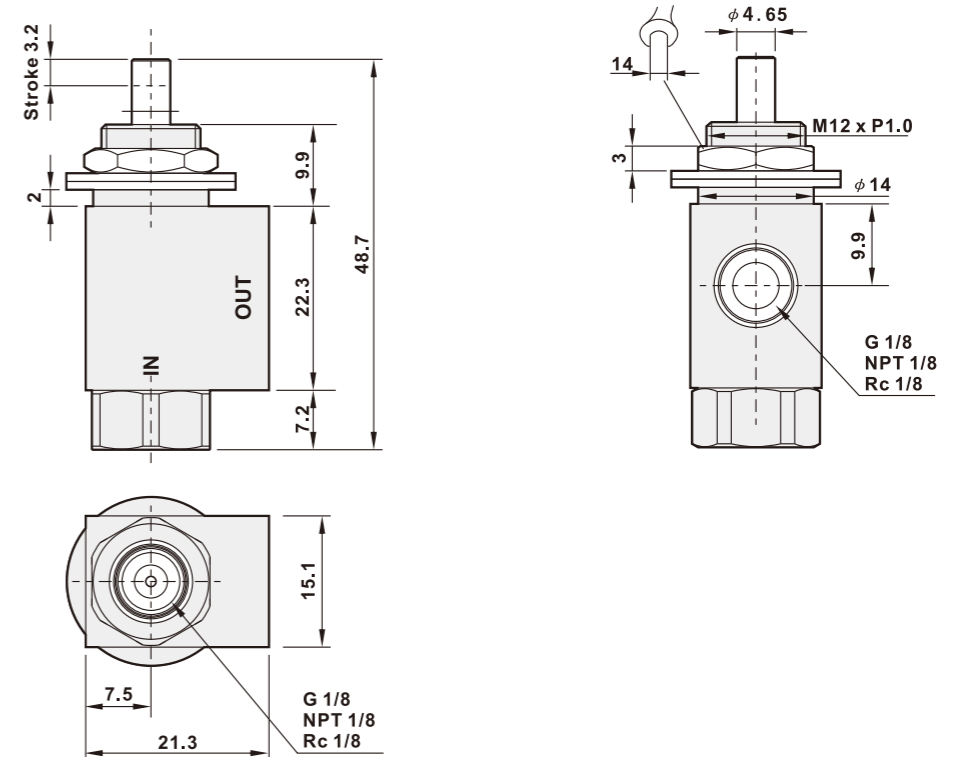
MSV20122 - 01 N		
MSV20122 : 2/2 Way	Port size	Thread
MSV20132 : 3/2 Way	01 : 1/8"	Blank : G N : NPT R : Rc

Specifications

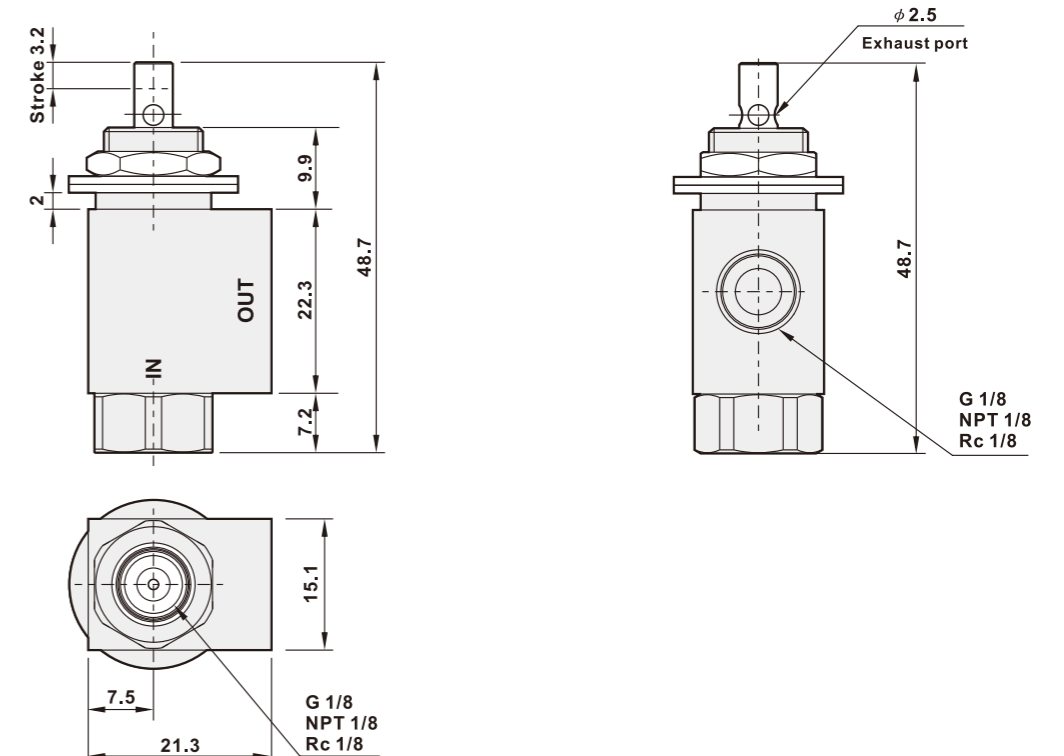
Model	MSV20122-01	MSV20132-01
Port size	1/8"	
Body material	Forged Brass	
Panel diameter	12mm	
Fluid	Compressed air	
Effective area	8.5mm ²	
Operating pressure range	0 ~ 9 kgf/cm ²	
Proof pressure	10kgf/cm ²	
Ambient temperature	-10°C ~ 60°C	
Net weight	70g	
Force for full stem actuation	53 Oz.nominal	

Dimensions

MSV20122



MSV20132



■ Features

1. To be installed in moving devices like air cylinder, slide, etc.
2. Various operating styles.
3. Panel bore size $\phi 30$ (Option $\phi 25$).



■ How to order

MSV8652 - 02	N	R	G
5/2 Way	Port size	Thread	Operator
	01 : 1/8"	Blank : G	R : Roller
	02 : 1/4"	N : NPT	TB : Twist selector
		R : Rc	LB : Long twist selector
			PP : Palm button (Flush)
			PPL : Palm button (Extended)
			EB : Latching button
			PH : Push-pull button
			Blank : Standard color
			G : Green
			B : Black
			Y : Yellow

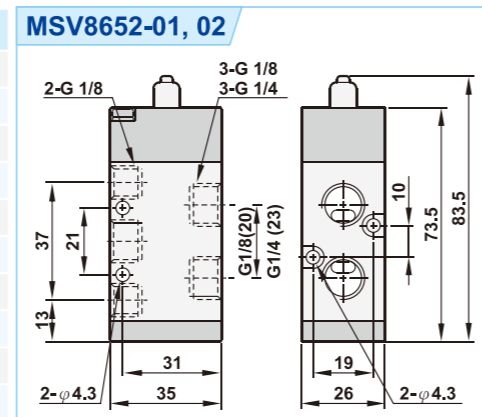
■ Operator color

Operator	Standard	Option		
TB/LB	Black	Red	---	---
PB/PP/PPL	Red	Black	Green	Yellow
EB	Red	---	---	---
PH	Black	Red	---	---

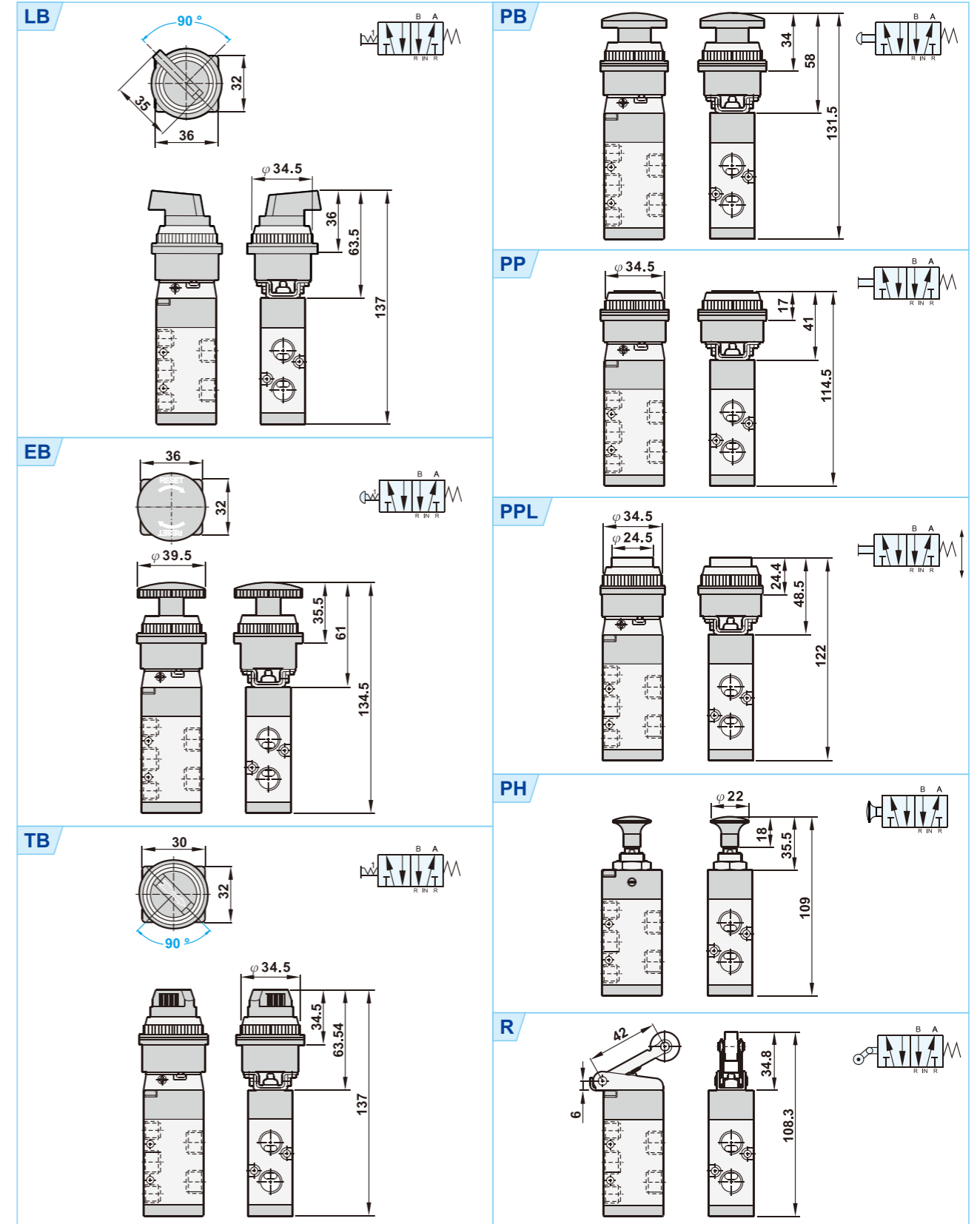
■ Specifications

Model	MSV8652-01	MSV8652-02
Port size	1/8"	1/4"
Body material	Aluminum alloy	
Panel dimension	30mm (Option:25mm)	
Fluid	Compressed air	
Sectional area	14mm ²	18mm ²
Operating pressure range	0 ~ 9 kgf/cm ²	
Proof pressure	10 kgf/cm ²	
Ambient temperature	-10°C ~ 60°C	
Standard operator color	Black: TB, LB; Red: PB, PP, PPL, EB	
Optional color	Green, Black, Yellow for PB, PP, PPL	

■ Dimensions



■ Dimensions



■ Features

- To be installed in moving devices like air cylinder, slide, etc.
- Various operating styles.
- Panel bore size Ø30 (Option Ø25).



■ How to order

MSV8632 - 01 N R G					
MSV8622 : Single	Port size	Thread	Operator	Operator color	
MSV8642 : Stack	01: 1/8"	Blank : G	R : Roller	PB : Palm button (Mushroom)	
MSV8632 : Single (with exhaust port)		N : NPT	RL : One way roller	PP : Palm button (Flush)	
MSV8662 : Stack (with exhaust port)		R : Rc	TB : Twist selector	PPL : Palm button (Extended)	B : Black
			LB : Long twist selector	EB : Latching button	Y : Yellow

*MSV8642 & MSV8662 for TB operator only.

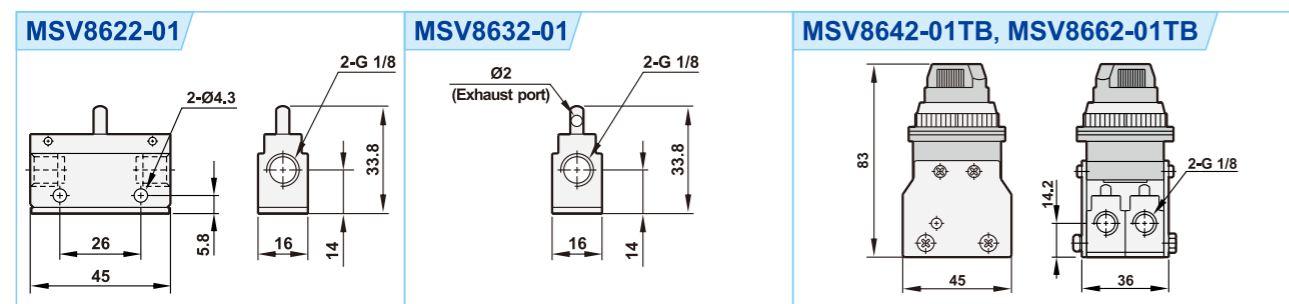
■ Operator color

Operator	Standard	Option		
TB/LB	Black	Red	---	---
PB/PP/PPL	Red	Black	Green	Yellow
EB	Red	---	---	---

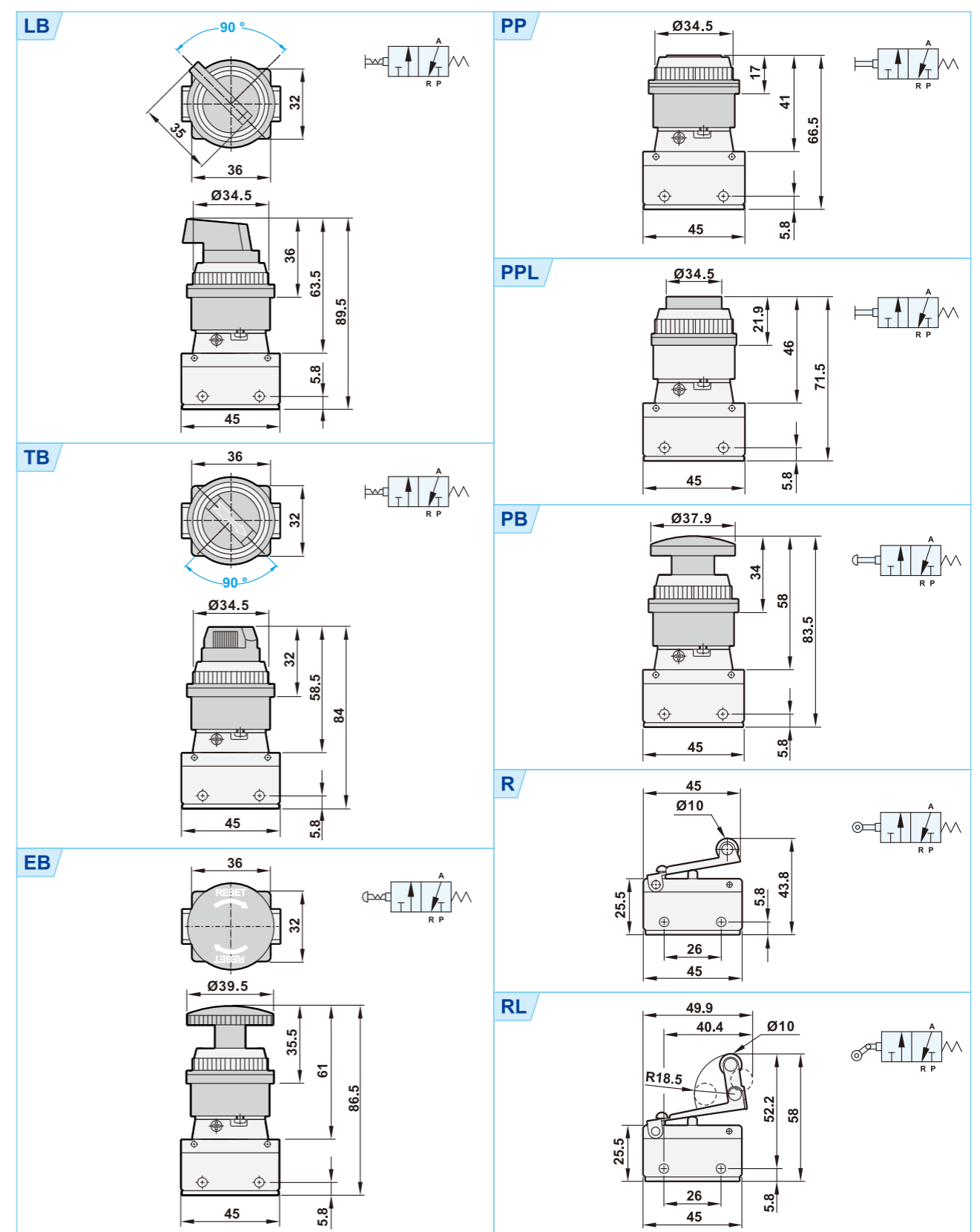
■ Specifications

Model	MSV8632-01	MSV8642-01TB
Port size	1/8"	
Body material	Aluminum alloy	
Panel dimension	30mm (Option:25mm)	
Fluid	Compressed air	
Sectional area	1.8mm ²	
Operating pressure range	0 ~ 9 kgf/cm ²	
Max. operating pressure	10 kgf/cm ²	
Ambient temperature	-10°C ~ 60°C	
Standard operator color	Black: TB, LB; Red: PB, PP, PPL, EB	

■ Dimensions



■ Dimensions



MSV Series

3/2 Way Mechanical Valve

Features

- To be installed in moving devices like air cylinder, slide, etc.
- Various operating styles.
- Panel bore size Ø30 (Option Ø25).



How to order

MSV9832 - 02

N

R

G

3/2 Way	Port size	Thread	Operator	Operator color
	01: 1/8" (Option) 02: 1/4"	Blank: G N: NPT R: Rc	R: Roller TB: Twist selector LB: Long twist selector PB: Palm button (Mushroom)	PP: Palm button (Flush) PPL: Palm button (Extended) EB: Latching button Blank: Standard color G: Green B: Black Y: Yellow

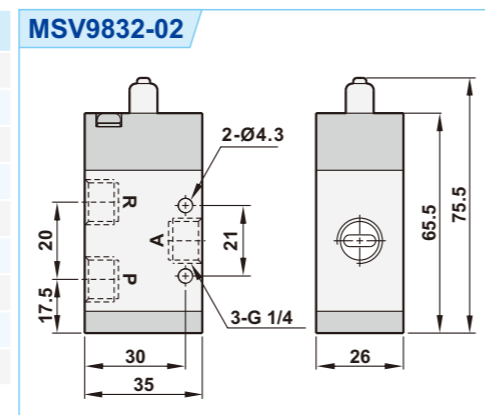
Operator color

Operator	Standard	Option		
TB/LB	Black	Red	---	---
PB/PP/PPL	Red	Black	Green	Yellow
EB	Red	---	---	---

Specifications

Model	MSV9832-02
Port size	1/4" (Option 1/8")
Body material	Aluminum alloy
Panel dimension	30mm (Option:25mm)
Fluid	Compressed air
Sectional area	18mm ²
Operating pressure range	0 ~ 9 kgf/cm ²
Proof pressure	10 kgf/cm ²
Ambient temperature	-10°C ~ 60°C
Standard operator color	Black: TB, LB; Red: PB, PP, PPL, EB

Dimensions



Dimensions

