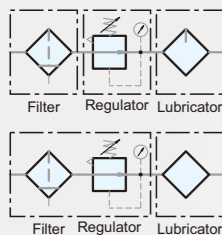


Symbol



Features

- * Remove water and particle effectively.
- * 40 μ m and 5 μ m filter element are easily interchangeable and replaceable.
- * Accurate and easy pressure setting.
- * Lubricator oil can be replenished without stopping air supply.
- * Oil spray in mist ensures good lubrication for machines.
- * Anti-acid & alkali bowl and aluminum bowl provide excellent protection in organic chemistry working environments. (Please contact our sales for more enquires.)



How to order

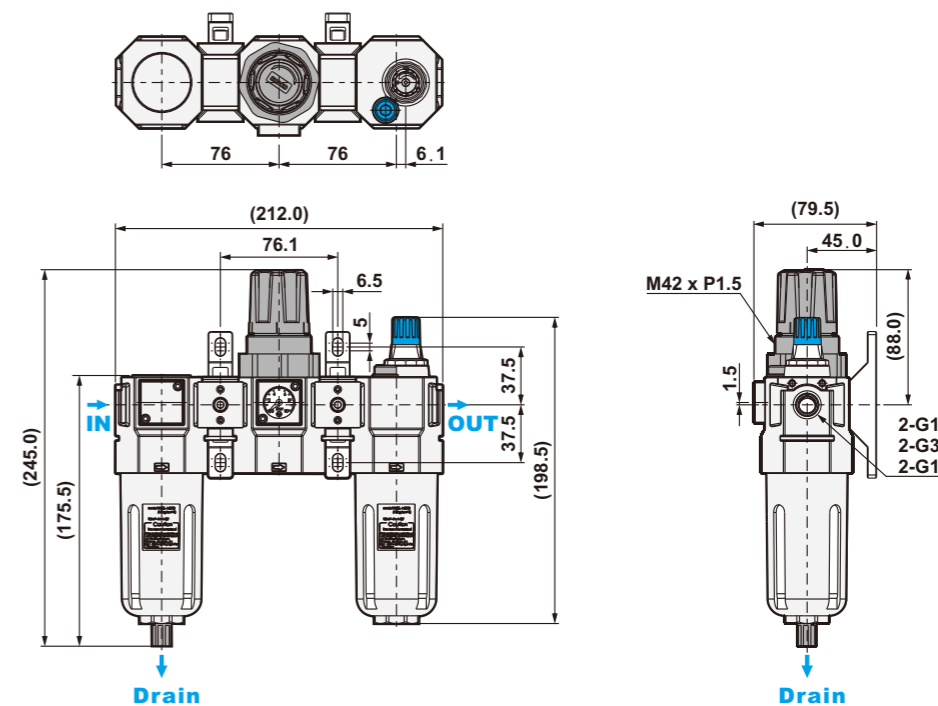
NUFRL	-	02	N	C	G	H	A	SB
F.R.L combination	Port size	Thread	Filtration	Gauge type	Drain	Bowl	Spacer block	
NUFRL	02 1/4"	Blank G	PE	Blank Square	Blank	Blank Standard bowl		
Filter+Regulator+Lubricator	03 3/8"	N NPT	Blank 5 μ m	G Circle	H Semi-auto drain	A Anti-acid & alkali bowl	Port size 1/8"	
NUFR/L	04 1/2"	R Rc	C 40 μ m		D Auto drain	AL Aluminum bowl (1/4"~1/2")		
Filter Regulator+Lubricator			Sintered brass					
			S 5 μ m					
			T 40 μ m					

Specifications

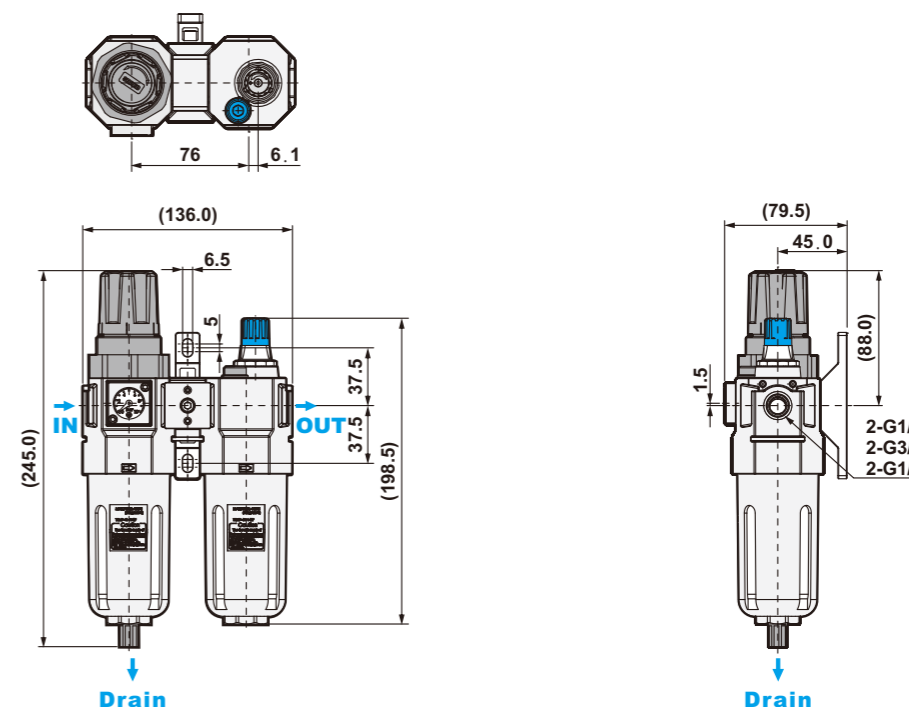
Model	NUFRL-02	NUFRL-03	NUFRL-04	NUFR/L-02	NUFR/L-03	NUFR/L-04
Port size	1/4"	3/8"	1/2"	1/4"	3/8"	1/2"
Fluid	Compressed air					
Regulator construction	Piston					
Body material	Aluminum die-cast					
Bowl material	Polycarbonate (Standard), Anti-acid & alkali bowl (Option), Aluminum bowl (Option)					
Filtration	PE: 5 μ m (Standard), 40 μ m (Option), Sintered brass (Option): 5 μ m, 40 μ m					
Operating pressure range	0.5 ~ 9.9 kgf/cm ²					
Proof pressure (Standard bowl)	15 kgf/cm ²					
Max. flow rate l/min (ANR)	2080	2100	2600	2080	2100	2600
Ambient temperature	-10 $^{\circ}$ C ~ 60 $^{\circ}$ C					
Lubricator oil (Recommended)	ISO-VG32					
Filter bowl capacity	105cc					
Lubricator bowl capacity	125cc					
Standard drain	Semi-auto drain (Drains below 0.5kgf/cm ²)					
Net weight	2000g (W/I Aluminum bowl 2300g)		1380g (W/I Aluminum bowl 1680g)			
Option	Gauge plate					

Dimensions

NUFRL-02, 03, 04

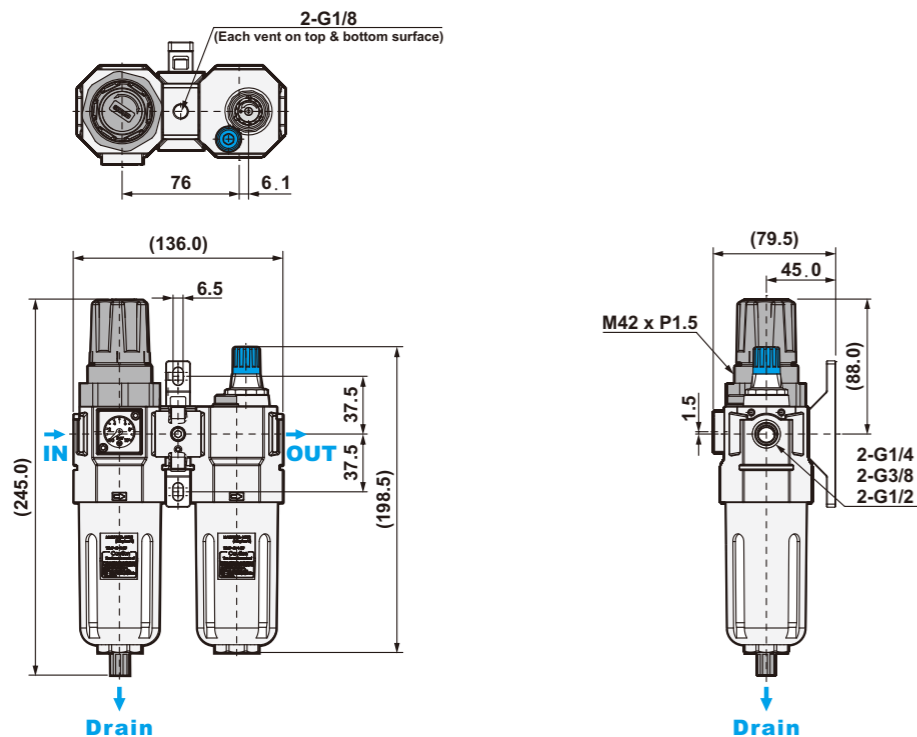


NUFR/L-02,03,04

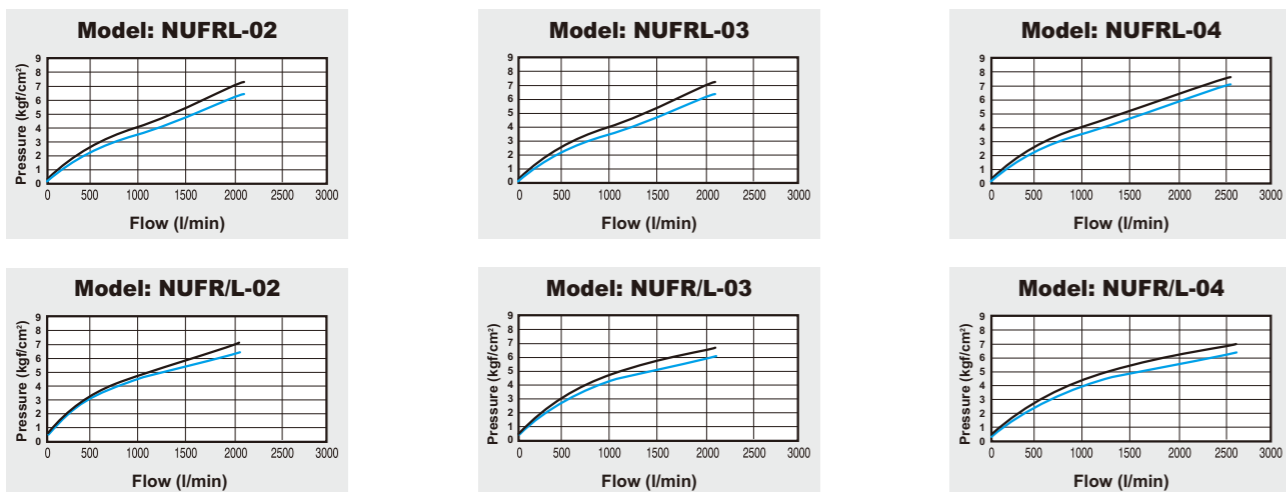


Dimensions

NUFRL-02, 03, 04SB (Spacer block)



Flow chart

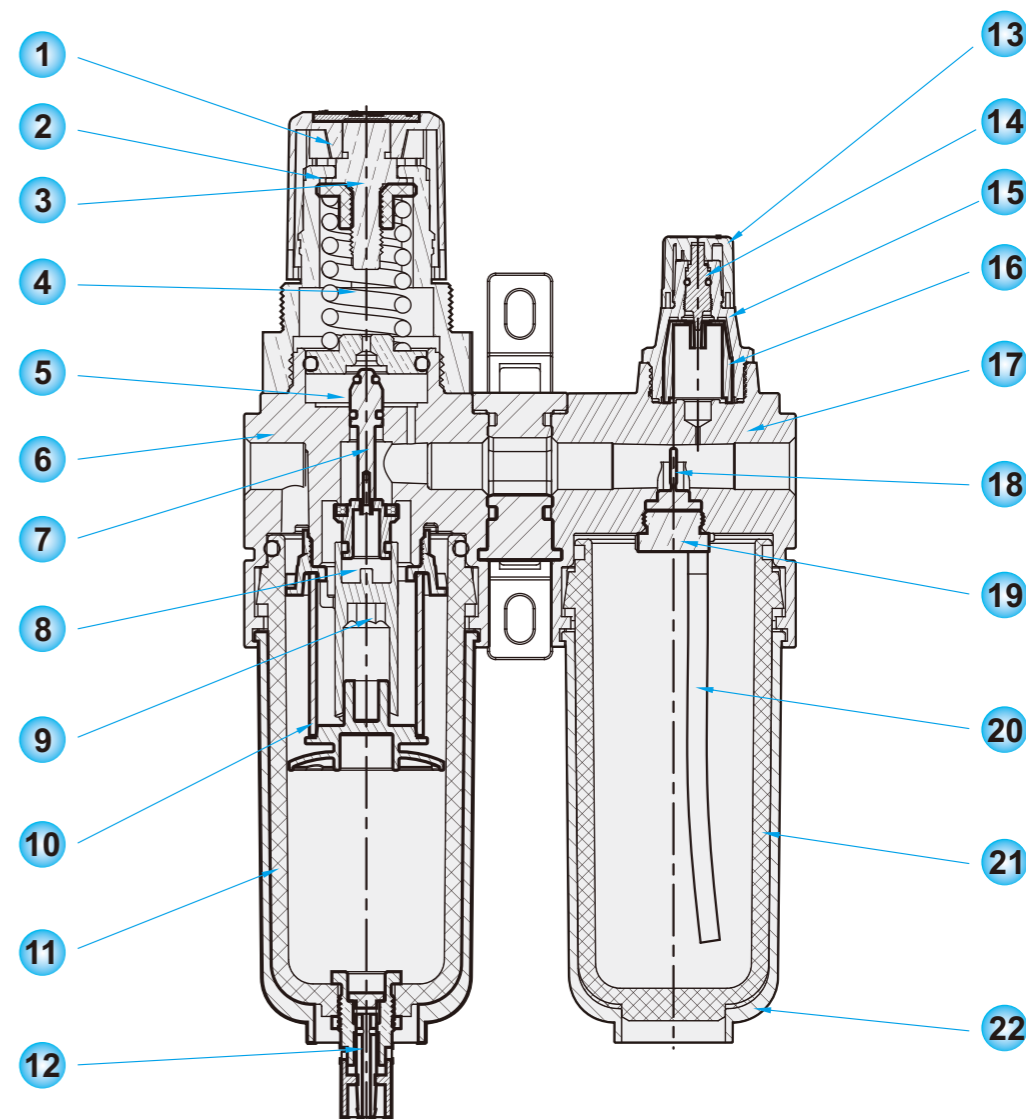


Note:

X axis: Flow (l/min)
 Y axis: Pressure (kgf/cm²)
 Blue line (P0) = Outlet pressure
 Black line (P1) = Inlet pressure
 P1-P0=Pressure range

Construction

UFR/L-02, 03, 04



No.	Description	Material	No.	Description	Material
1	Pressure regulating knob	NY	12	Semi-auto drain	POM
2	Regulator base	NY+GF	13	Oil adjusting knob	POM
3	Pressure regulating screw	Fe+Ni	14	Oil adjusting screw	Cu+Ni
4	Pressure regulating spring	Spring steel+Ni	15	Oil viewer	GV4H
5	Piston	Cu+Ni	16	Oil dropping orifice	PC
6	Regulator body	ADC12	17	Lubricator body	ADC12
7	Regulating needle	Cu+NBR	18	Damper	PU
8	Spring	SUS304	19	Plug	Cu
9	Filter element holder	NY	20	Oil pipe	PU
10	Filter element	PE	21	Lubricator bowl	PC
11	Filter bowl	PC	22	Bowl guard	NY